

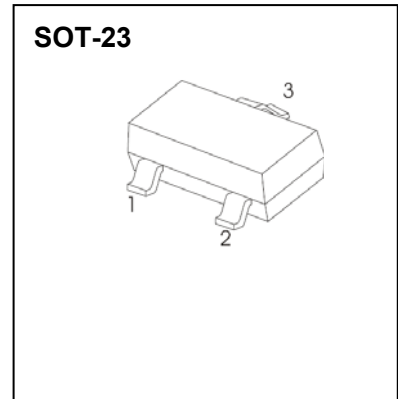
SOT-23 Plastic-Encapsulate Diodes

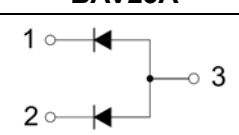
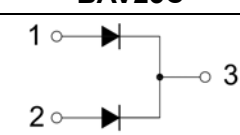
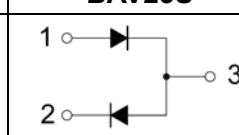
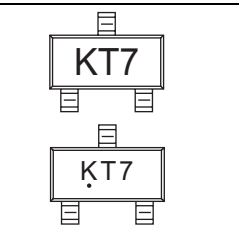
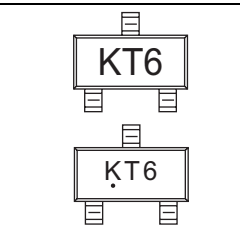
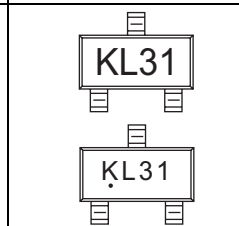
BAV23A/C/S

SWITCHING DIODE

FEATURES

- Fast Switching Speed
- High Conductance
- For General Purpose Switching Applications



| BAV23A | BAV23C | BAV23S |
|--|--|--|
|  |  |  |
| MARKING: KT7 | MARKING: KT6 | MARKING: KL31 |
|  |  |  |

Solid dot = Green molding compound device, if none, the normal device

MAXIMUM RATINGS ($T_a=25^\circ\text{C}$ unless otherwise noted)

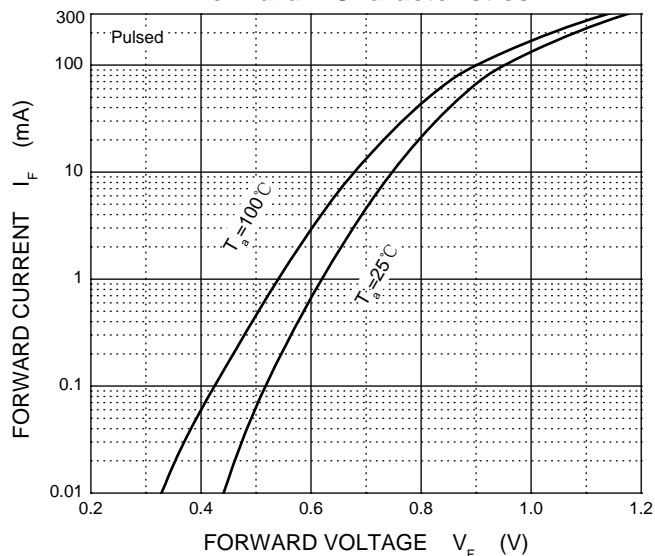
| Symbol | Parameter | Value | Unit |
|-----------------|--|----------|---------------------------|
| V_{RRM} | Peak Repetitive Reverse Voltage | 250 | V |
| V_{RWM} | Working Peak Reverse Voltage | | |
| $V_{R(RMS)}$ | RMS Reverse Voltage | 175 | V |
| I_O | Average Rectified Output Current | 225 | mA |
| I_{FSM} | Non-repetitive Peak Forward Surge Current @ $t=8.3\text{ms}$ | 1.7 | A |
| P_D | Power Dissipation | 350 | mW |
| $R_{\theta JA}$ | Thermal Resistance from Junction to Ambient | 357 | $^\circ\text{C}/\text{W}$ |
| T_j | Junction Temperature | 150 | $^\circ\text{C}$ |
| T_{stg} | Storage Temperature | -55~+150 | $^\circ\text{C}$ |

ELECTRICAL CHARACTERISTICS($T_a=25^\circ\text{C}$ unless otherwise specified)

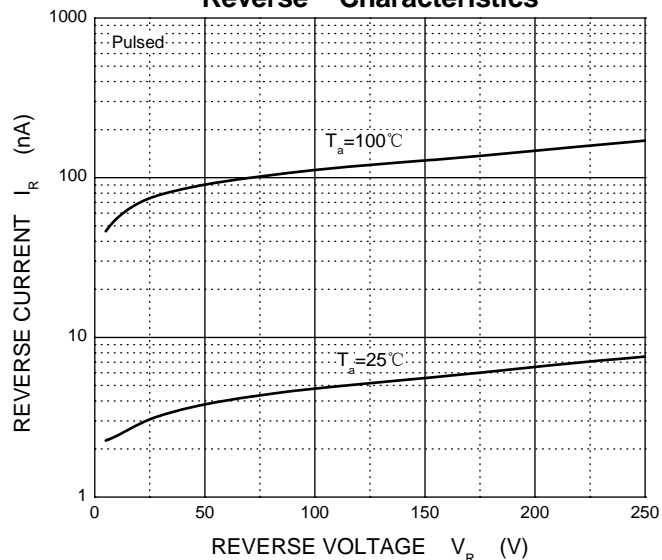
| Parameter | Symbol | Test conditions | Min | Typ | Max | Unit |
|-----------------------|------------|--|-----|-----|------|---------------|
| Reverse voltage | $V_{(BR)}$ | $I_R=100\mu\text{A}$ | 250 | | | V |
| Reverse current | I_R | $V_R=250\text{V}$ | | | 0.1 | μA |
| Forward voltage | V_F | $I_F=100\text{mA}$ | | | 1 | V |
| | | $I_F=200\text{mA}$ | | | 1.25 | |
| Total capacitance | C_{tot} | $V_R=0\text{V}, f=1\text{MHz}$ | | | 5 | pF |
| Reverse recovery time | t_{rr} | $I_F=I_R=30\text{mA}, I_{rr}=0.1\times I_R, R_L=100\Omega$ | | | 50 | ns |

Typical Characteristics

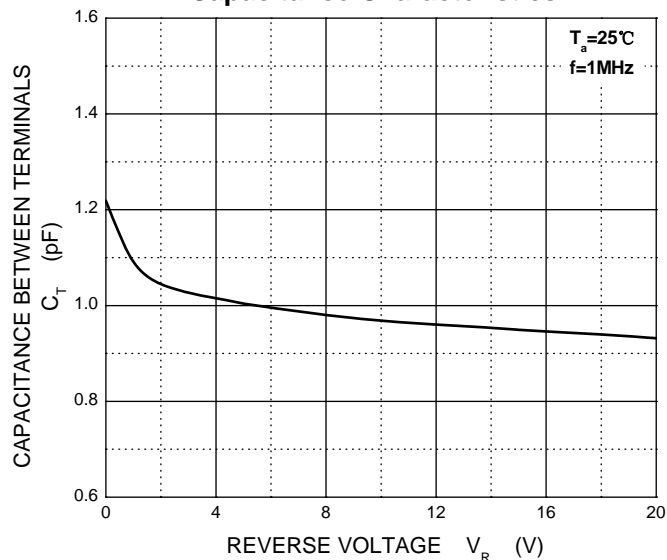
Forward Characteristics



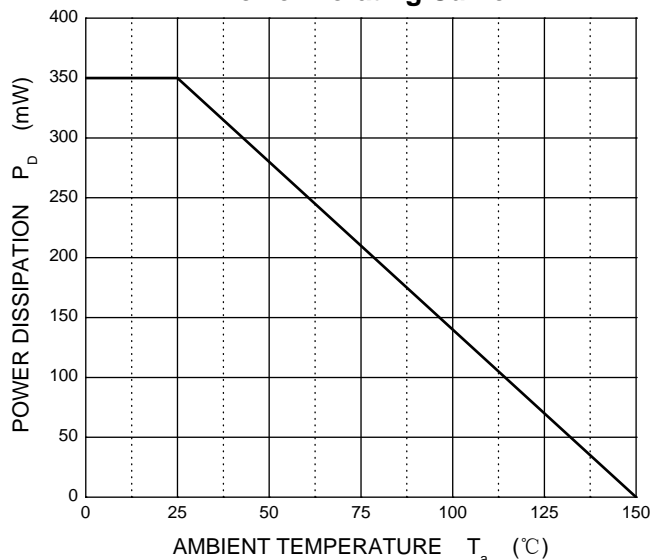
Reverse Characteristics



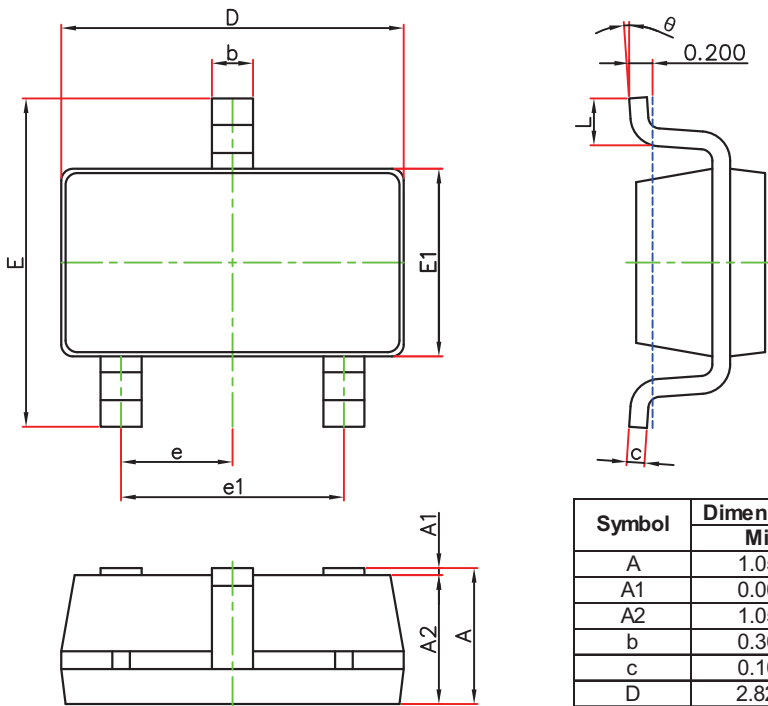
Capacitance Characteristics



Power Derating Curve

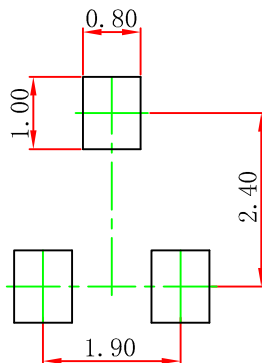


SOT-23 Package Outline Dimensions



| Symbol | Dimensions In Millimeters | | Dimensions In Inches | |
|--------|---------------------------|-------|----------------------|-------|
| | Min. | Max. | Min. | Max. |
| A | 1.050 | 1.250 | 0.041 | 0.049 |
| A1 | 0.000 | 0.100 | 0.000 | 0.004 |
| A2 | 1.050 | 1.150 | 0.041 | 0.045 |
| b | 0.300 | 0.500 | 0.012 | 0.020 |
| c | 0.100 | 0.200 | 0.004 | 0.008 |
| D | 2.820 | 3.020 | 0.111 | 0.119 |
| E1 | 1.500 | 1.700 | 0.059 | 0.067 |
| E | 2.650 | 2.950 | 0.104 | 0.116 |
| e | 0.950(BSC) | | 0.037(BSC) | |
| e1 | 1.800 | 2.000 | 0.071 | 0.079 |
| L | 0.300 | 0.600 | 0.012 | 0.024 |
| θ | 0° | 8° | 0° | 8° |

SOT-23-3L Suggested Pad Layout



Note:

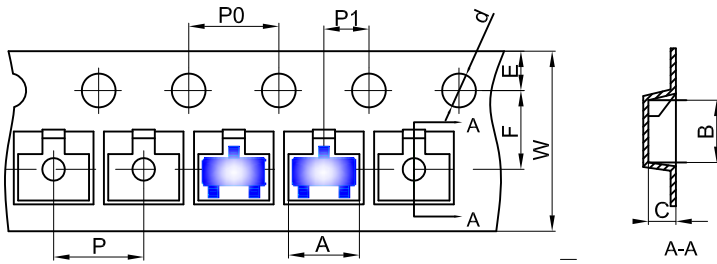
1. Controlling dimension: in millimeters.
2. General tolerance: ± 0.05 mm.
3. The pad layout is for reference purposes only.

NOTICE

JCET reserve the right to make modifications, enhancements, improvements, corrections or other changes without further notice to any product herein. JCET does not assume any liability arising out of the application or use of any product described herein.

SOT-23 Tape and Reel

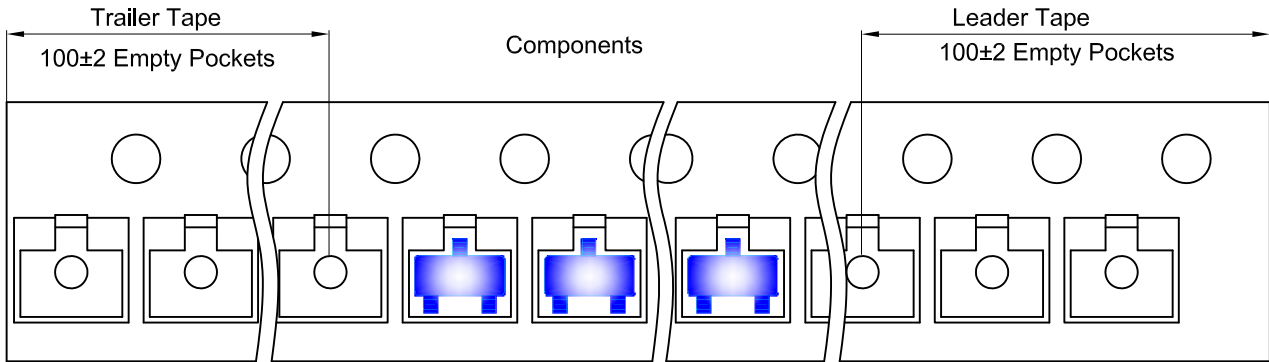
SOT-23-3L Embossed Carrier Tape



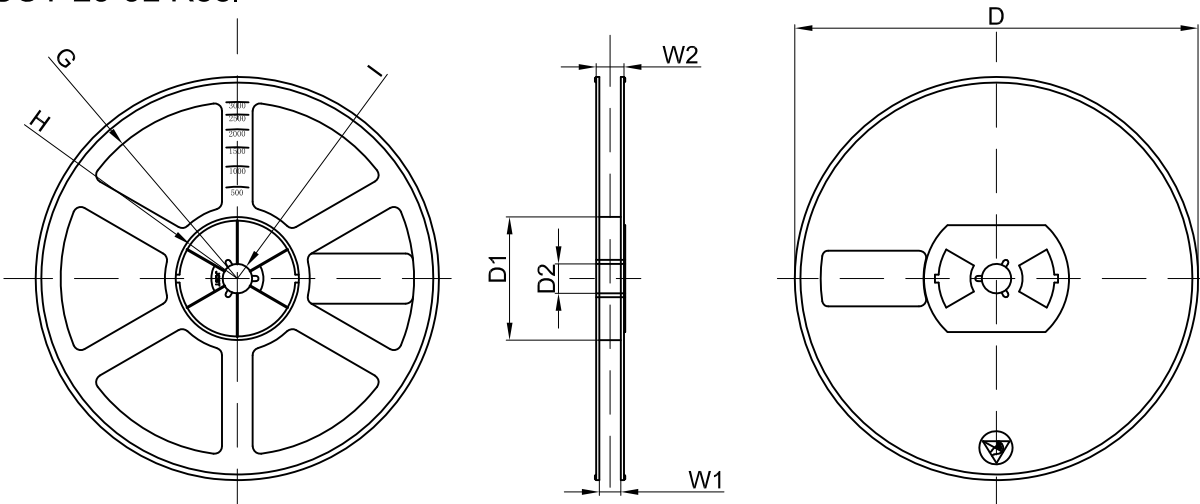
Packaging Description:
 SOT-23-3L parts are shipped in tape. The carrier tape is made from a dissipative (carbon filled) polycarbonate resin. The cover tape is a multilayer film (Heat Activated Adhesive in nature) primarily composed of polyester film, adhesive layer, sealant, and anti-static sprayed agent. These reeled parts in standard option are shipped with 3,000 units per 7" or 18.0cm diameter reel. The reels are clear in color and is made of polystyrene plastic (anti-static coated).

| Dimensions are in millimeter | | | | | | | | | | |
|------------------------------|------|------|------|-------|------|------|------|------|------|------|
| Pkg type | A | B | C | d | E | F | P0 | P | P1 | W |
| SOT-23-3L | 3.18 | 3.28 | 1.32 | Ø1.50 | 1.75 | 3.50 | 4.00 | 4.00 | 2.00 | 8.00 |

SOT-23-3L Tape Leader and Trailer



SOT-23-3L Reel



| Dimensions are in millimeter | | | | | | | | |
|------------------------------|---------|-------|-------|--------|--------|-------|------|-------|
| Reel Option | D | D1 | D2 | G | H | I | W1 | W2 |
| 7" Dia | Ø180.00 | 60.00 | 13.00 | R78.00 | R25.60 | R6.50 | 9.50 | 13.10 |

| REEL | Reel Size | Box | Box Size(mm) | Carton | Carton Size(mm) | G.W.(kg) |
|----------|-----------|------------|--------------|-------------|-----------------|----------|
| 3000 pcs | 7 inch | 30,000 pcs | 203×203×195 | 120,000 pcs | 438×438×220 | |

单击下面可查看定价，库存，交付和生命周期等信息

[>>JSCJ](#)