

SQXW CONNECTOR

Squib connectors



Conforming to ISO 19072-4.

Features

● Inertial Locking

Intelligent CPA enables connector locking, prevent incomplete mating and release of short circuit at the same time.

● Interface and Performance

Mated with retainer designed by ISO 19072-4.
Connector performance satisfies ISO 19072-2.

● Stability of Electrical Connection

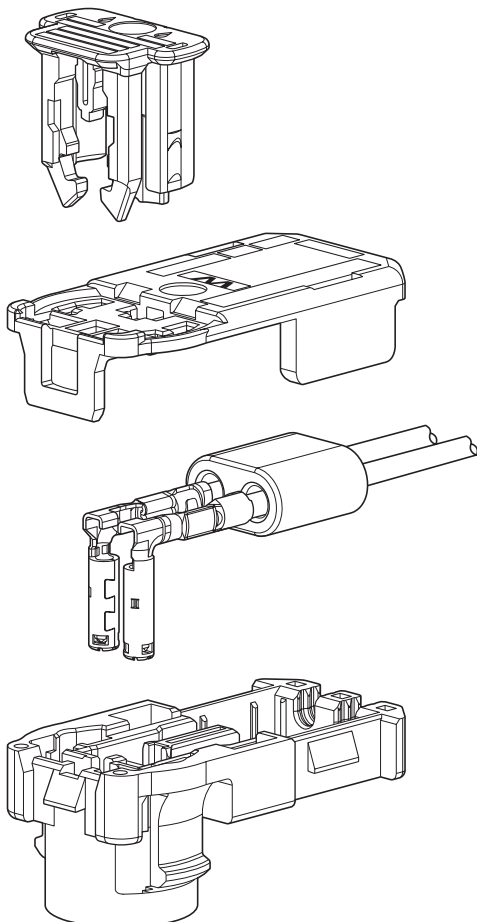
Terminal has three contact points.
Prevent the deformation of contact area by covering ferrule to contact spring.

● Noise Suppression

Ferrite core provides simple and reliable noise suppression characteristics.

● CPA

The upper part of CPA is made as large as possible and the shape which fits fingers well contributes to efficient work.
4mm stroke provides recognition of the CPA position.

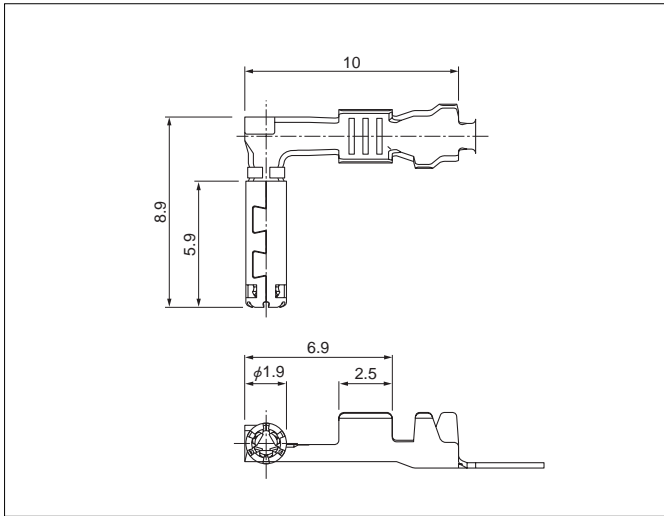


Specifications

- Current rating: 3 A AC, DC max.
- Temperature range: -40°C to +85°C
(including temperature rise in applying electrical current)
- Insulation resistance: 100 MΩ min.
- Applicable Wire: AVSS
0.3 mm², 0.5 mm²
FLRY-A
0.35 mm², 0.5 mm²

- * Compliant with ELV/RoHS.
- * Contact JST for details.

Female terminal

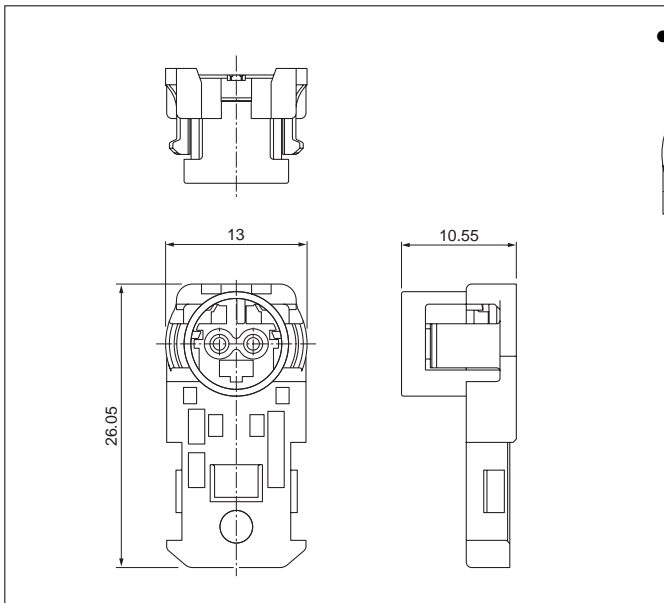


Model No.	Applicable wire range		Q'ty/reel
	Conductor (mm ²)	Insulation O.D. (mm)	
SSQSK-A03GJ-P-R	0.3 to 0.5	1.0 to 1.6	5,000
SSQSK-A03GJ-P-L	0.3 to 0.5	1.0 to 1.6	5,000

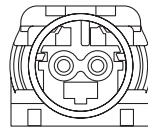
Material and Finish

Copper alloy, nickel-undercoated,
Contact area; gold-plated (0.8μm min.)
Barrel area; tin-plated

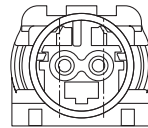
Female housing



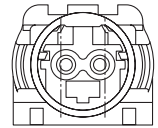
• Keying figure



Icode



IIcode



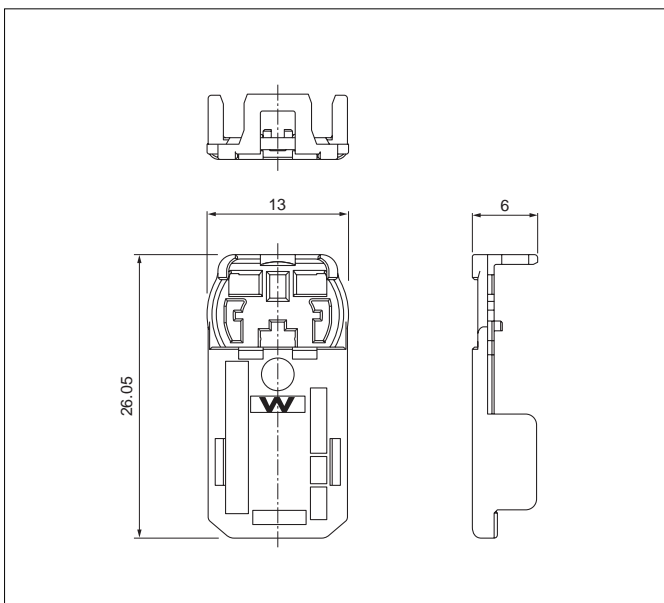
IIIcode

Circuits	Model No.	Keying figure	Q'ty/box	Color
2	SQXR-02H-2A-K	I code	500	Black
	SQXR-02H-2B-LM	II code	500	Light green
	SQXR-02H-2C-Y	III code	500	Yellow

Material

Glass-filled PBT

Cover housing



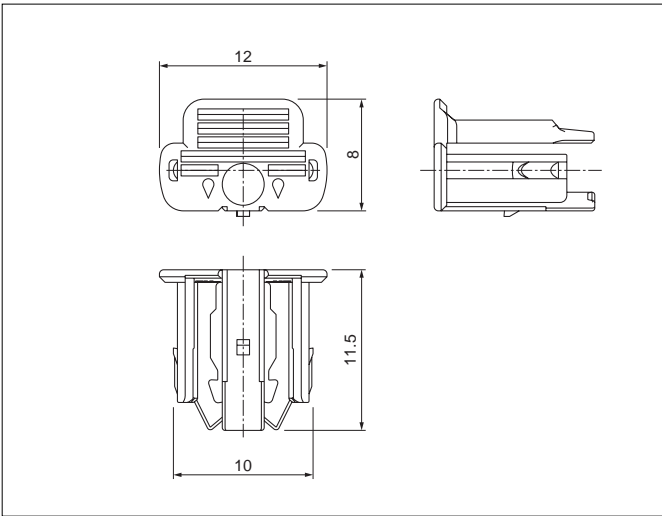
Circuits	Model No.	Q'ty/bag	Color
2	SQXL-02H-1W-Y	500	Yellow

Material

Glass-filled PBT

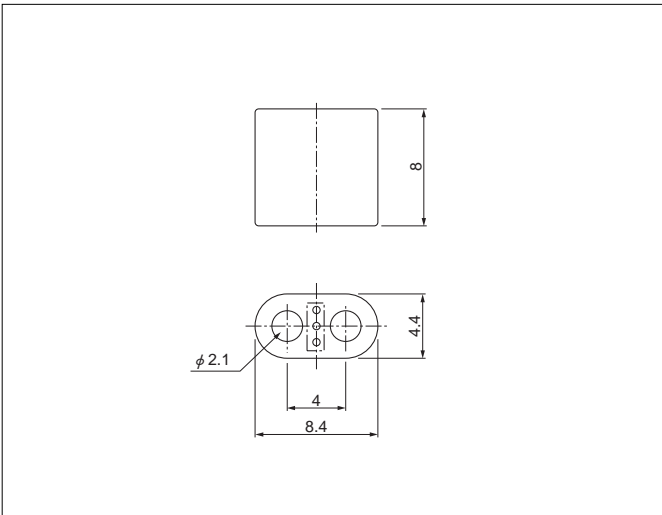
SQXW CONNECTOR

CPA housing



Circuits	Model No.	Q'ty/bag	Color
2	SQXC-02H-1W-D	1,000	Orange
Material			
Glass-filled PBT			

Ferrite



Circuits	Model No.	Q'ty/box
2	SQXF-02-1A	1,000

Crimping machine, Applicator

Strip terminal	Crimping machine	Crimp applicator MKS-L	
		Dies	Crimp applicator with dies
SSQSK-A03GJ-P-R	AP-K2N	MK/SSQSK-A03-P	APLMK SSQSK-A03-P
SSQSK-A03GJ-P-L			

Note: When crimping operation is conducted using an applicator and die set other than the above, JST cannot guarantee the performance of the terminal.

单击下面可查看定价，库存，交付和生命周期等信息

[>>JST\(杰世腾\)](#)