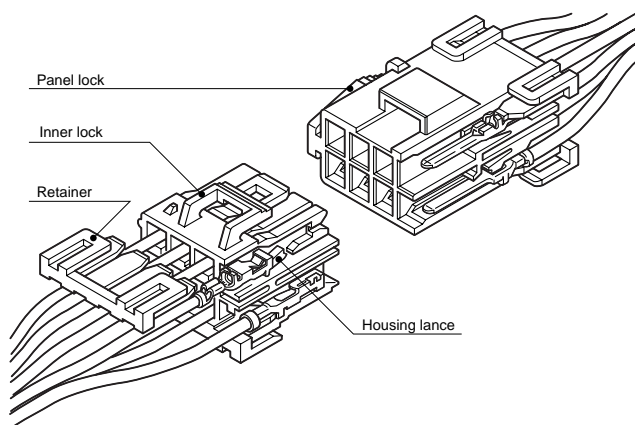


YL CONNECTOR

4.5mm pitch/Disconnectable Crimp style Wire-to-wire connectors



The retainer features added protection against non-insertion or disconnection.

- Housing lance
- Secondary retainers
- Inner-housing lock
- Panel lock construction

Standards

- Recognized E60389
- Certified LR20812
- R9351052

Specifications

- Current rating: 10 A AC, DC max. (7 A when retainers are mounted)
- Voltage rating: 300 V AC, DC max.
- Temperature range: -25°C to +90°C (including temperature rise in applying electrical current)
- Contact resistance: Initial value/ 7 mΩ max. After environmental tests/ 10 mΩ max.
- Insulation resistance: 1,000 MΩ min.
- Withstanding voltage: 1,500 VAC/minute
- Applicable wire: AWG #26 to #16
0.13 to 1.25 mm²
- Applicable panel thickness: 0.7 to 2.0 mm

Note: The current rating varies depending on the number of circuits and the wire size used in each connector. The table below lists the current rating as a function of the number of circuits and the wire size.

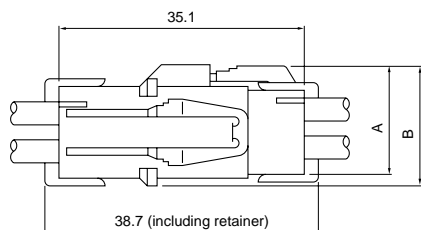
Current unit: A

Circuits	Wire size (AWG)					
	#16	#18	#20	#22	#24	#26
1	10	7	5	4	3	2
2	10	7	5	4	3	2
3	9	6	4	4	3	2
4	9	6	4	4	3	2
6	8	5	3	3	2	2
8	7	4	3	3	2	2
9	6	4	3	3	2	2
12	6	3	2	2	2	2
15	5	3	2	2	2	1
16	5	3	2	2	2	1
21	5	3	2	2	2	1

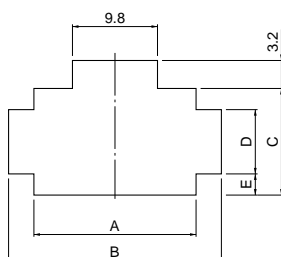
Note: Secondary retainers cannot be used with AWG #16 wires.

- * Refer to "General Instruction and Notice when using Terminals and Connectors" at the end of this catalog.
- * Contact JST for details.
- * Compliant with RoHS.

Panel Layout and Assembly layout



Type	Circuits	Dimensions (mm)	
		A	B
Single row	2 · 3	9.5	10.8
2-row	4 · 6 · 8 · 12 · 16	15.3	16.6
3-row	9 · 12 · 15 · 21	20.5	21.8



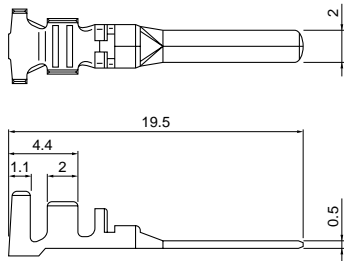
Circuits	Receptacle housing Model No.	Panel thickness (mm)	0.7 to 2.0			0.7 to 0.8		0.9 to 1.3		1.4 to 2.0	
			A	B	C	D ^{±0.1}	E ^{±0.1}	D ^{±0.1}	E ^{±0.1}	D ^{±0.1}	E ^{±0.1}
2	YLR-02V	10.7	16.8	7.1	4.4	1.35	5.0	1.05	5.6	0.75	
3	YLR-03V	15.3	21.3	7.1	4.4	1.35	5.0	1.05	5.6	0.75	
4	YLR-04V	10.7	16.8	12.9	7.1	2.9	7.7	2.6	8.3	2.3	
6	YLR-06V	15.3	21.3	12.9	7.1	2.9	7.7	2.6	8.3	2.3	
8	YLR-08V	19.8	25.8	12.9	7.1	2.9	7.7	2.6	8.3	2.3	
9	YLR-09V	15.3	21.3	18.2	7.1	5.55	7.7	5.25	8.3	4.95	
12	YLR-12V	19.8	25.8	18.2	7.1	5.55	7.7	5.25	8.3	4.95	
	YLR-12VA	28.9	34.8	12.9	7.1	2.9	7.7	2.6	8.3	2.3	
15	YLR-15V	24.4	30.3	18.2	7.1	5.55	7.7	5.25	8.3	4.95	
16	YLR-16V	37.9	43.8	12.9	7.1	2.9	7.7	2.6	8.3	2.3	
21	YLR-21V	33.5	39.3	18.2	7.1	5.55	7.7	5.25	8.3	4.95	

- Note: 1. Punch holes in the panel according to the figures and table shown above. Burrs must be removed.
2. The strength of the panel must be considered when punching two or more holes.
3. The connector must be inserted from the same side as the hole is punched.

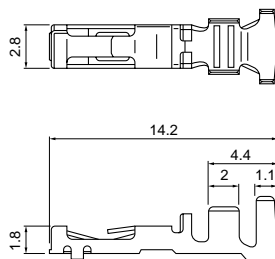
YL CONNECTOR

Contact

Pin contact



Socket contact



Model No.		Applicable wire		Insulation O.D. (mm)	Q'ty/reel
Pin contact	Socket contact	mm ²	AWG #		
SYM-01T-P0.5A	SYF-01T-P0.5A	0.13~0.5	26~20	1.3~2.5	4,000 (SYM-01T-P0.5A) 5,000
SYM-41T-P0.5A	SYF-41T-P0.5A	0.5 ~1.25	20~16	2.0~3.4	
		*0.3+0.3~ 0.5+0.5	*22+22~ 20+20	*1.5+1.5~ 2.0+2.0	

Material and Finish

Phosphor bronze, tin-plated (reflow treatment)

RoHS compliance

Note: 1. Contact JST for special products.

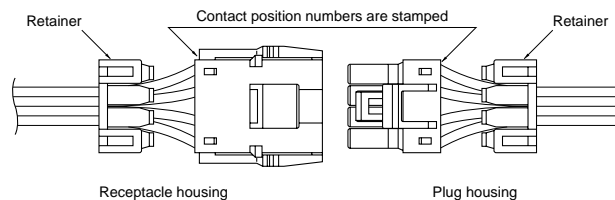
2. Retainers cannot be used with electric wire whose insulation O.D. exceeds 2.7mm and AWG #16.

3. *Marked products are not approved by TÜV.

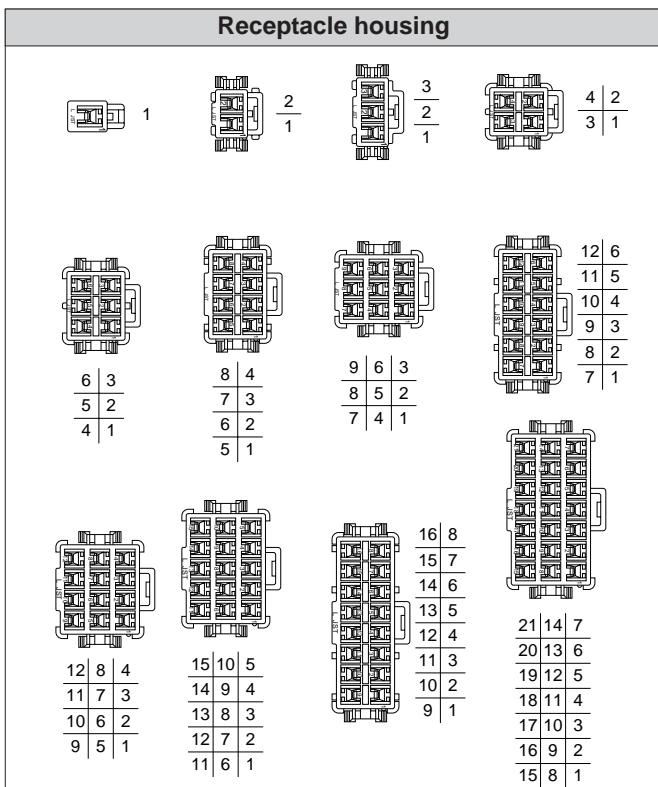
Contact	Crimping machine	Applicator		
		Crimp applicator	Dies	Crimp applicator with dies
SYM-01T-P0.5A	AP-K2N	MKS-L	MK/SYF/M-01-05	APLMK SYF/M01-05
SYF-01T-P0.5A		*MKS-SC-YL	SC/SYF/M-01-05	APLSC SYF/M01-05
SYM-41T-P0.5A		MKS-L	MK/SYF/M-41-05	APLMK SYF/M41-05
SYF-41T-P0.5A		*MKS-SC-YL	SC/SYF/M-41-05	APLSC SYF/M41-05

Note: *Strip-crimp applicator

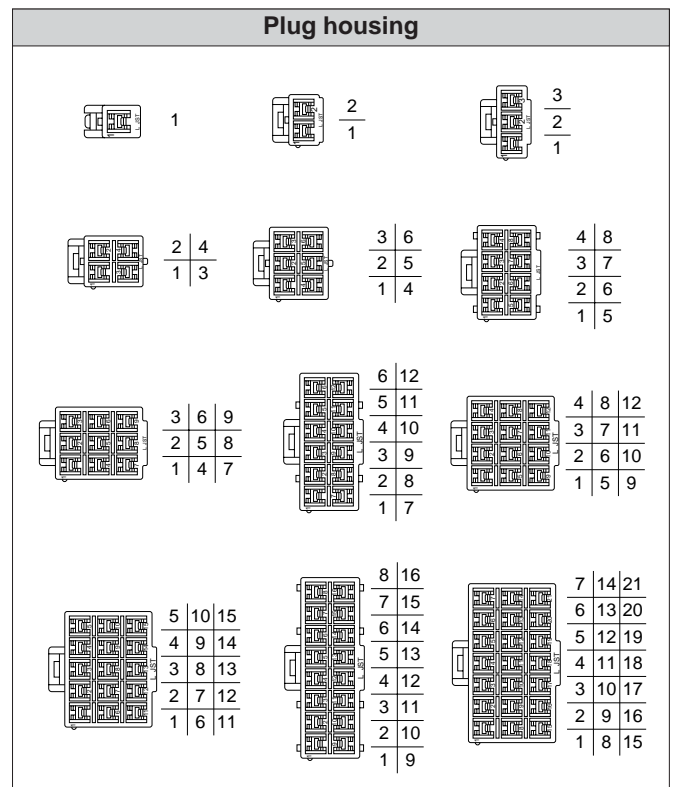
Contact position location numbers



Receptacle housing



Plug housing



YL CONNECTOR

Housing

Material: Housing...PA 66, UL94V-0, white
Retainer...Glass-filled PA 66, UL94V-0, ivory

Circuits	Voltage rating	Current rating	Receptacle housing (for pin contact)	Plug housing (for socket contact)	Retainer
1	300V	7A (10A)	YLR-01VF 	YLP-01V 	YLS-01V
2	300V	7A (10A)	YLR-02V 	YLP-02V 	YLS-02V
			YLR-02VF 		
3	300V	6A (9A)	YLR-03V 	YLP-03V 	YLS-03V (commonly used for 3-circuit housing and 6-circuit housing)
			YLR-03VF 		

RoHS compliance

Note: 1. Current rating in parentheses is for use with AWG #16 wire. (Retainers are not mountable.)
2. Contact JST for Glow Wire compliant connectors.

YL CONNECTOR

Housing

Material: Housing...PA 66, UL94V-0, white Retainer...Glass-filled PA 66, UL94V-0, ivory

Circuits	Voltage rating	Current rating	Receptacle housing (for pin contact)	Plug housing (for socket contact)	Retainer			
4	300V	6A (9A)	YLR-04V 	YLP-04V 	YLS-02V 			
		Q'ty/bag	500			Q'ty/bag	1,000	
6	300V	5A (8A)	YLR-06V 	YLP-06V 	YLS-03V (commonly used for 3-circuit housing and 6-circuit housing) 			
		Q'ty/bag	500			Q'ty/bag	1,000	
8	300V	4A (7A)	YLR-08V 	YLP-08V 	YLS-08V 			
		Q'ty/bag	250			Q'ty/bag	1,000	
9	300V	4A (6A)	YLR-09V 	YLP-09V 	YLS-09V —			
			Q'ty/bag	250	Q'ty/bag	500	Q'ty/bag	—

RoHS compliance

Note: 1. Current rating in parentheses is for use with AWG #16 wire. (Retainers are not mountable.)

2. Contact JST for Glow Wire compliant connectors.

YL CONNECTOR

Housing

Material: Housing...PA 66, UL94V-0, white Retainer...Glass-filled PA 66, UL94V-0, ivory

Circuits	Voltage rating	Current rating	Receptacle housing (for pin contact)	Plug housing (for socket contact)	Retainer
12	300V	3A (6A)	YLR-12VA 	YLP-12VA 	YLS-12V
			Q'ty/ bag	200	Q'ty/ bag
15	300V	3A (5A)	YLR-12V 	YLP-12V 	—
			Q'ty/ bag	200	Q'ty/ bag
15	300V	3A (5A)	YLR-15V 	YLP-15V 	—
			Q'ty/ bag	200	Q'ty/ bag
16	300V	3A (5A)	YLR-16V 	YLP-16V 	YLS-16V
			Q'ty/ bag	100	Q'ty/ bag

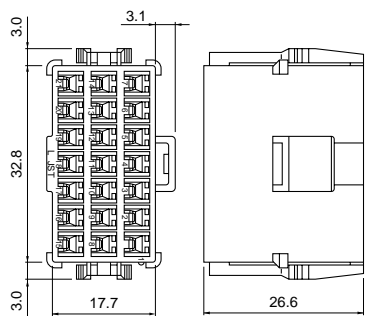
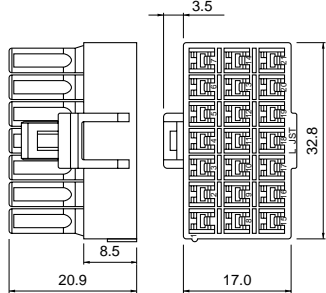
RoHS compliance

Note: 1. Current rating in parentheses is for use with AWG #16 wire. (Retainers are not mountable.)
 2. Contact JST for Glow Wire compliant connectors.

YL CONNECTOR

Housing

Material: Housing...PA 66, UL94V-0, white

Circuits	Voltage rating	Current rating	Receptacle housing (for pin contact)		Plug housing (for socket contact)		Retainer	
			YLR-21V	Q'ty/bag	YLP-21V	Q'ty/bag		Q'ty/bag
21	300V	3A (5A)		100		200	—	—

RoHS compliance

Note: 1. Current rating in parentheses is for use with AWG #16 wire. (Retainers are not mountable.)

2. Contact JST for Glow Wire compliant connectors.

单击下面可查看定价，库存，交付和生命周期等信息

[>>JST\(杰世腾\)](#)