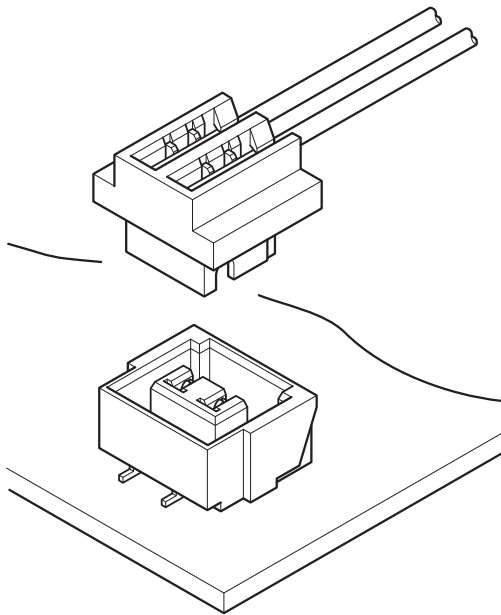




ASR CONNECTOR



1.0 mm pitch/ Wire-to-Board connectors/IDC style and Mating style



- Compact
- Twin U-slot insulation displacement section
- 3-point grip construction
- Header designed for vacuum pick and place robotics

Specifications

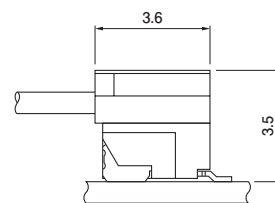
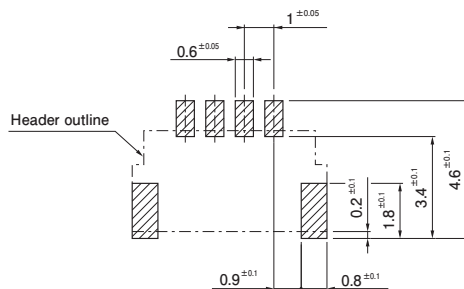
- Current rating: 0.7 A DC
- Voltage rating: 50 V DC
- Temperature range: -25°C to +85°C
(including temperature rise in applying electrical current)
- Contact resistance: Initial value/ 30 mΩ max.
After environmental tests/ 40 mΩ max.
- Insulation resistance: 100 MΩ min.
- Withstanding voltage: 500 VAC/minute
- Applicable wire: Conductor size/AWG #30
Conductor/ 7 strands,
tin-coated annealed copper
Insulation O.D./ 0.54 to 0.58 mm

- * Refer to "General Instruction and Notice when using Terminals and Connectors" at the end of this catalog.
- * Contact JST for details.
- * RoHS compliance

Standards

For information on overseas standard registrations, please refer to the "List of Registered Overseas Standards" on our website (listed in the "Technical Documents" column on the Product Information page).

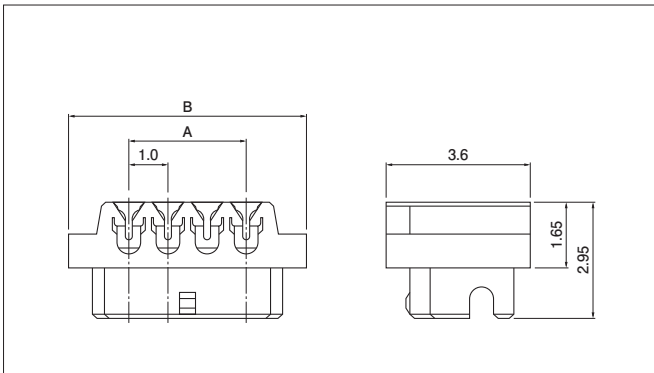
- * Specifications registered to overseas standards may differ from the general specifications listed above.



- Note 1. The PC board layout is the figure viewed from the connector mounting side.
 2. Tolerance for the PCB pattern pitch shall be ± 0.05 and shall not accumulate.
 The above dimensions are reference values. Please contact JST for details.

ASR CONNECTOR

Socket



| No. of circuits | Model No. | Dimensions (mm) | | Q'ty / box |
|-----------------|-----------|-----------------|-----|------------|
| | | A | B | |
| 2 | 02ASR-30S | 1.0 | 4.0 | 3,000 |
| 3 | 03ASR-30S | 2.0 | 5.0 | 3,000 |
| 4 | 04ASR-30S | 3.0 | 6.0 | 3,000 |

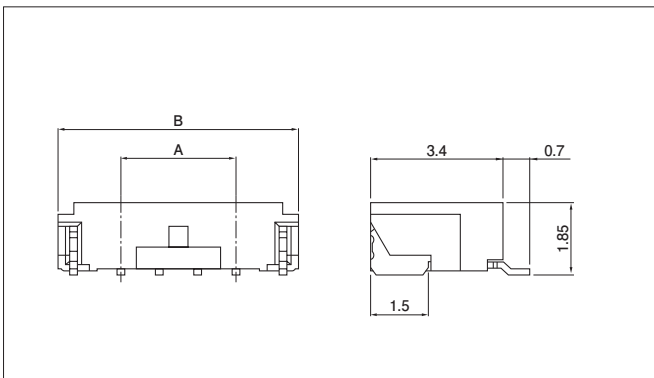
Material and Surface finish, etc.

Contact: Phosphor bronze, tin-plated (reflow treatment)
Housing: Glass-filled PA 66, natural

RoHS compliance

Note: For flame retardant grade of resin material used, please refer to the "List of Registered Overseas Standards" on our website (listed in the "Technical Documents" column on the Product Information page).

Header



| No. of circuits | Model No. | Dimensions (mm) | | Q'ty / reel |
|-----------------|---------------|-----------------|-----|-------------|
| | | A | B | |
| 2 | BM02B-ASRS-TF | 1.0 | 4.4 | 3,500 |
| 3 | BM03B-ASRS-TF | 2.0 | 5.4 | 3,500 |
| 4 | BM04B-ASRS-TF | 3.0 | 6.4 | 3,500 |

Material and Surface finish, etc.

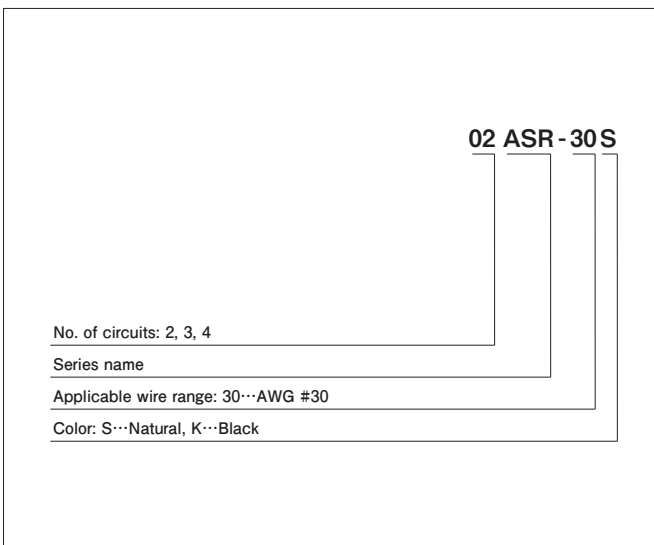
Contact: Phosphor bronze, copper-undercoated, tin-plated (reflow treatment)
Wafer: PA 6T, natural
Solder tab: Brass, copper-undercoated, tin-plated (reflow treatment)

RoHS compliance

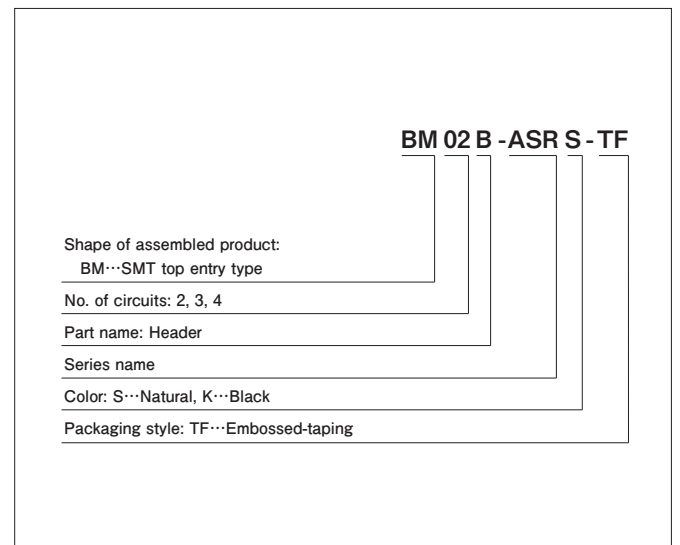
This product displays (LF)(SN) on a label.
Note: 1. The products listed above are supplied on embossed-tape.
2. For flame retardant grade of resin material used, please refer to the "List of Registered Overseas Standards" on our website (listed in the "Technical Documents" column on the Product Information page).

Model number allocation

Socket



Header



单击下面可查看定价，库存，交付和生命周期等信息

[>>JST\(杰世腾\)](#)