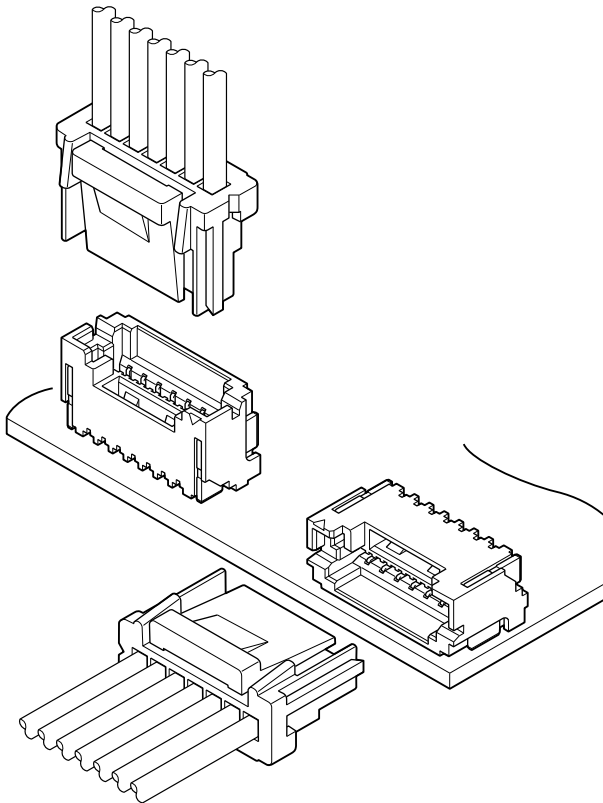


# ZE CONNECTOR

1.5 mm pitch/Disconnectable Crimp style connectors



1.5 mm pitch secure lock type connector. Fork-shaped header contact provides the good mating feeling and secure mating operation.

- Secure locking structure
- Contact locking structure

## Specifications

- Current rating: 2 A AC/DC (AWG #24)
- Voltage rating: 100 V AC/DC
- Temperature range: -25°C to +85°C  
(including temperature rise in applying electrical current)
- Contact resistance: Initial value/ 20 mΩ max.  
After environmental tests/ 40 mΩ max.
- Insulation resistance: 500 MΩ min.
- Withstanding voltage: 500 VAC/minute
- Applicable wire: Conductor size/ AWG #30 to #24  
Insulation O.D./ 0.76 to 1.2 mm

\* In using the products, refer to "Handling Precautions for Terminals and Connectors" described on our website (Technical documents of Product information page).

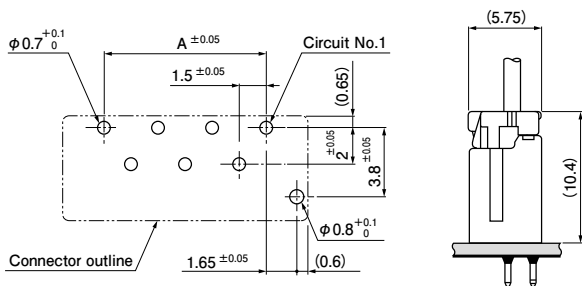
- \* RoHS2 compliance
- \* Dimensional unit: mm
- \* Contact JST for details.

## Standards

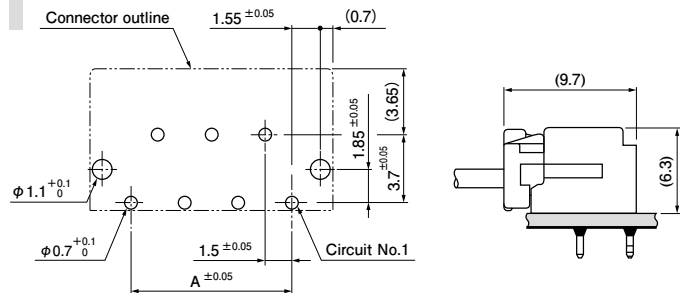
Recognized E60389

## PC board layout and Assembly layout

### Top entry type



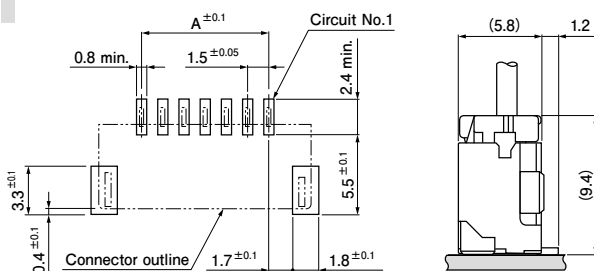
### Side entry type



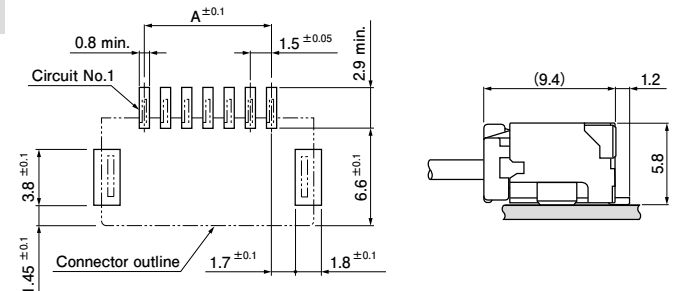
- Note: 1. The above figure is the figure viewed from the connector mounting side.  
2. Tolerances are non-cumulative:  $\pm 0.05$  mm for all centers.  
3. Hole dimensions differ according to the type of PC board and piercing method.  
The dimensions above should serve as a guideline. Contact JST for details.

### <SMT type>

#### Top entry type



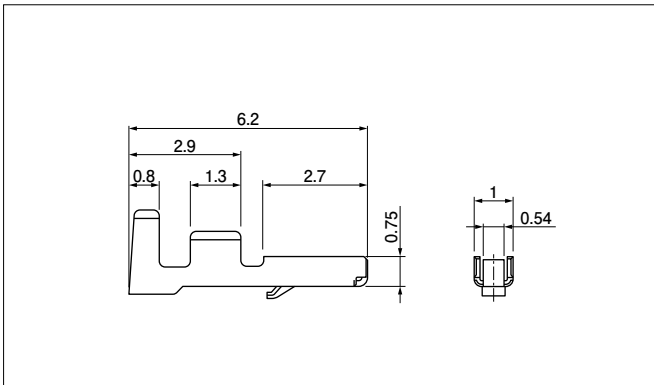
#### Side entry type



- Note: 1. The above figure is the figure viewed from the connector mounting side.  
2. Tolerances for the centers of pattern on PCB is  $\pm 0.05$ , and shall be not cumulative more than  $\pm 0.1$ .  
The dimensions above should serve as a guideline. Contact JST for details.

# ZE CONNECTOR

## Contact



| Model No.     | Applicable wire |          | Insulation O.D. (mm) | Q'ty/reel |
|---------------|-----------------|----------|----------------------|-----------|
|               | mm <sup>2</sup> | AWG #    |                      |           |
| SZE-002T-P0.3 | 0.08 to 0.21    | 28 to 24 | 0.76 to 1.2          | 16,000    |
| SZE-003T-P0.3 | 0.05 to 0.13    | 30 to 26 | 0.76 to 1.0          | 16,000    |

### Material and Finish

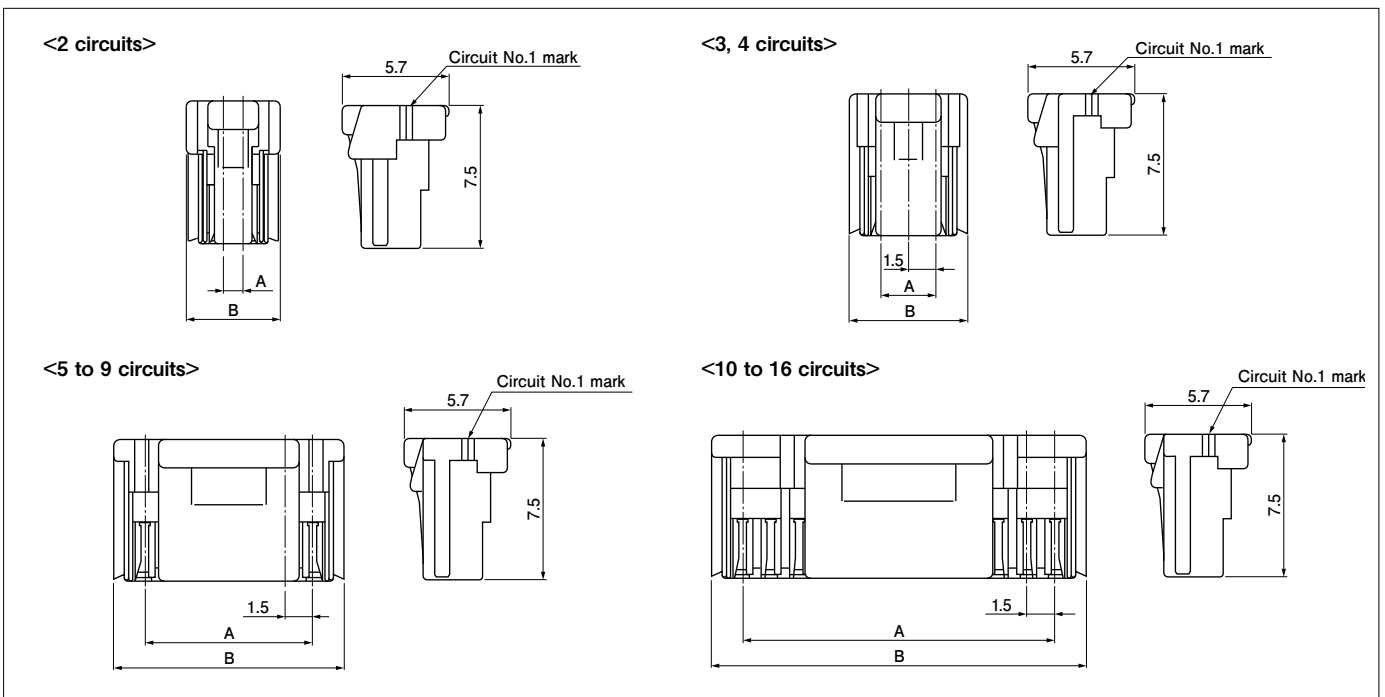
Copper alloy, tin-plated (reflow treatment)

### RoHS2 compliance

| Contact       | Crimping machine | Applicator       |               |                            |
|---------------|------------------|------------------|---------------|----------------------------|
|               |                  | Crimp applicator | Dies          | Crimp applicator with dies |
| SZE-002T-P0.3 | AP-K2N           | MKS-L            | MK/SZE-002-03 | APLMK SZE002-03            |
| SZE-003T-P0.3 |                  |                  | MK/SZE-003-03 | APLMK SZE003-03            |

Note: Contact JST for fully automatic crimping applicator.

## Housing



| No. of circuits | Model No. | Dimensions (mm) |      | Q'ty/bag |
|-----------------|-----------|-----------------|------|----------|
|                 |           | A               | B    |          |
| 2               | ZER-02V-S | 1.5             | 5.0  | 6,000    |
| 3               | ZER-03V-S | 3.0             | 6.3  | 6,000    |
| 4               | ZER-04V-S | 4.5             | 7.8  | 5,000    |
| 5               | ZER-05V-S | 6.0             | 9.3  | 3,000    |
| 6               | ZER-06V-S | 7.5             | 10.8 | 3,000    |
| 7               | ZER-07V-S | 9.0             | 12.3 | 2,000    |
| 8               | ZER-08V-S | 10.5            | 13.8 | 2,000    |
| 9               | ZER-09V-S | 12.0            | 15.3 | 2,000    |
| 10              | ZER-10V-S | 13.5            | 16.8 | 2,000    |
| 11              | ZER-11V-S | 15.0            | 18.3 | 2,000    |
| 12              | ZER-12V-S | 16.5            | 19.8 | 2,000    |
| 13              | ZER-13V-S | 18.0            | 21.3 | 2,000    |
| 14              | ZER-14V-S | 19.5            | 22.8 | 2,000    |
| 15              | ZER-15V-S | 21.0            | 24.3 | 1,500    |
| 16              | ZER-16V-S | 22.5            | 25.8 | 1,500    |

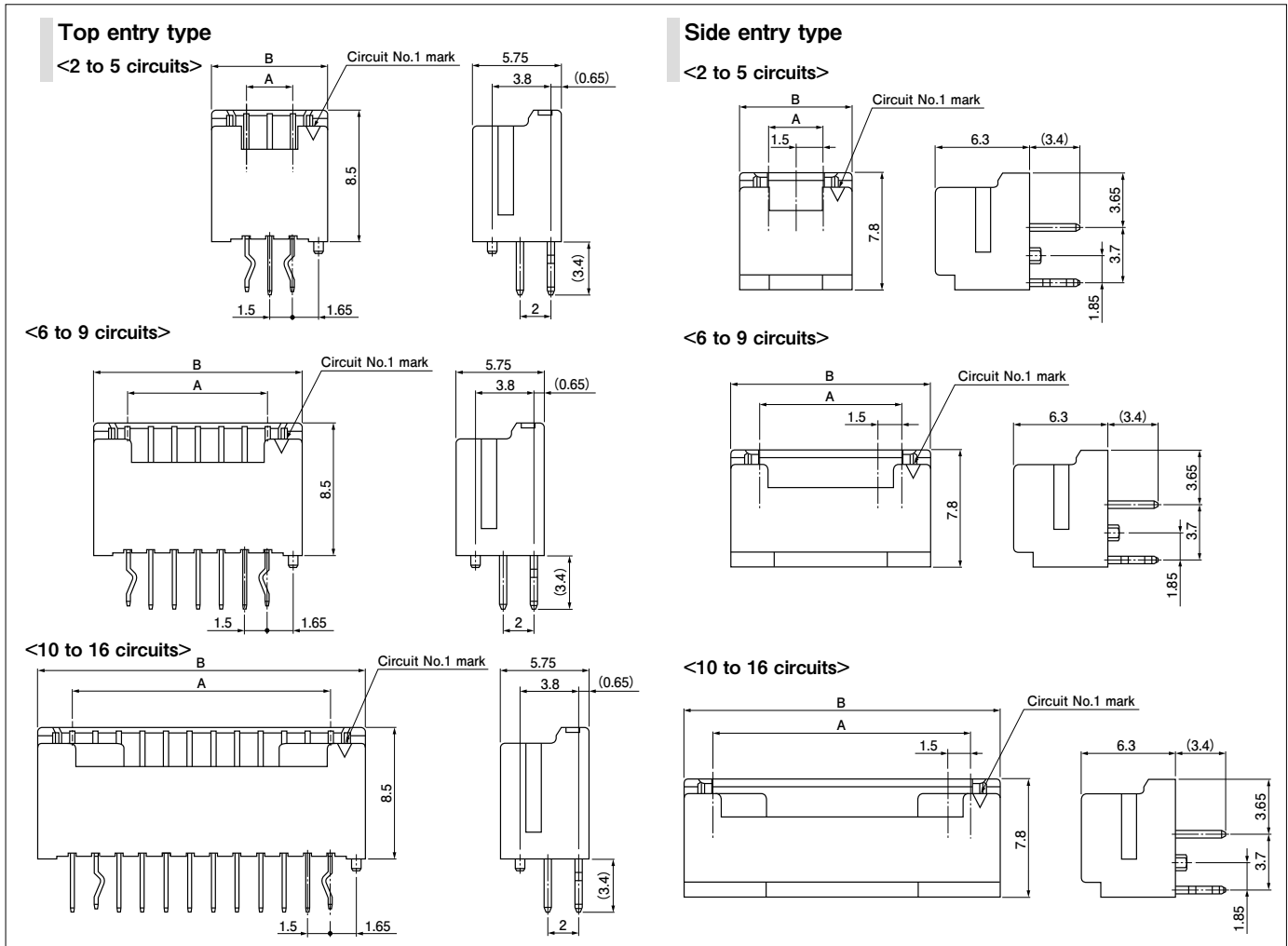
### Material and Finish

PBT, UL94V-0, natural

RoHS2 compliance

# ZE CONNECTOR

## Header (DIP type)



### Top entry type

| No. of circuits | Model No.    |              | Dimensions (mm) |      | Q'ty / box |
|-----------------|--------------|--------------|-----------------|------|------------|
|                 | Without boss | With boss    | A               | B    |            |
| 2               | —            | B02B-ZESK-1D | 1.5             | 6.0  | 2,496      |
| 3               | B03B-ZESK-D  | B03B-ZESK-1D | 3.0             | 7.5  | 1,984      |
| 4               | B04B-ZESK-D  | B04B-ZESK-1D | 4.5             | 9.0  | 1,664      |
| 5               | B05B-ZESK-D  | B05B-ZESK-1D | 6.0             | 10.5 | 1,408      |
| 6               | B06B-ZESK-D  | B06B-ZESK-1D | 7.5             | 12.0 | 1,216      |
| 7               | B07B-ZESK-D  | B07B-ZESK-1D | 9.0             | 13.5 | 1,088      |
| 8               | B08B-ZESK-D  | B08B-ZESK-1D | 10.5            | 15.0 | 960        |
| 9               | B09B-ZESK-D  | B09B-ZESK-1D | 12.0            | 16.5 | 896        |
| 10              | B10B-ZESK-D  | B10B-ZESK-1D | 13.5            | 18.0 | 832        |
| 11              | B11B-ZESK-D  | B11B-ZESK-1D | 15.0            | 19.5 | 768        |
| 12              | B12B-ZESK-D  | B12B-ZESK-1D | 16.5            | 21.0 | 704        |
| 13              | B13B-ZESK-D  | B13B-ZESK-1D | 18.0            | 22.5 | 640        |
| 14              | B14B-ZESK-D  | B14B-ZESK-1D | 19.5            | 24.0 | 576        |
| 15              | B15B-ZESK-D  | B15B-ZESK-1D | 21.0            | 25.5 | 576        |
| 16              | B16B-ZESK-D  | B16B-ZESK-1D | 22.5            | 27.0 | 512        |

#### Material and Finish

Contact: Copper alloy, copper-undercoated, tin-plated (reflow treatment)  
Wafer: Glass-filled PA 66, UL94V-0, natural

### Side entry type

| No. of circuits | Model No.    |              | Dimensions (mm) |      | Q'ty / box |
|-----------------|--------------|--------------|-----------------|------|------------|
|                 | Without boss | With boss    | A               | B    |            |
| 2               | —            | S02B-ZESK-2D | 1.5             | 6.0  | 1,872      |
| 3               | —            | S03B-ZESK-2D | 3.0             | 7.5  | 1,488      |
| 4               | —            | S04B-ZESK-2D | 4.5             | 9.0  | 1,248      |
| 5               | —            | S05B-ZESK-2D | 6.0             | 10.5 | 1,056      |
| 6               | —            | S06B-ZESK-2D | 7.5             | 12.0 | 912        |
| 7               | —            | S07B-ZESK-2D | 9.0             | 13.5 | 816        |
| 8               | —            | S08B-ZESK-2D | 10.5            | 15.0 | 720        |
| 9               | —            | S09B-ZESK-2D | 12.0            | 16.5 | 672        |
| 10              | —            | S10B-ZESK-2D | 13.5            | 18.0 | 624        |
| 11              | —            | S11B-ZESK-2D | 15.0            | 19.5 | 576        |
| 12              | —            | S12B-ZESK-2D | 16.5            | 21.0 | 528        |
| 13              | —            | S13B-ZESK-2D | 18.0            | 22.5 | 480        |
| 14              | —            | S14B-ZESK-2D | 19.5            | 24.0 | 432        |
| 15              | —            | S15B-ZESK-2D | 21.0            | 25.5 | 432        |
| 16              | —            | S16B-ZESK-2D | 22.5            | 27.0 | 384        |

#### Material and Finish

Contact: Copper alloy, copper-undercoated, tin-plated (reflow treatment)  
Wafer: Glass-filled PA 66, UL94V-0, natural

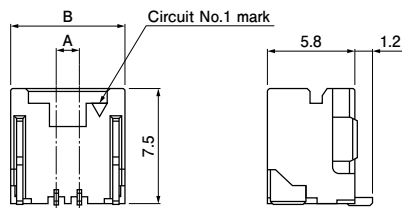
RoHS2 compliance This product displays (LF)(SN) on a label.  
Note: Top entry type 2 circuits is only header with boss.

RoHS2 compliance This product displays (LF)(SN) on a label.

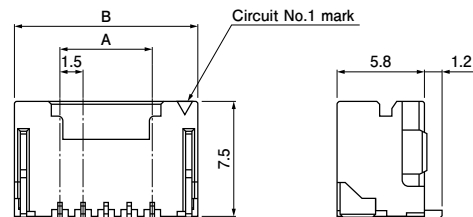
## Header (SMT type)

### Top entry type

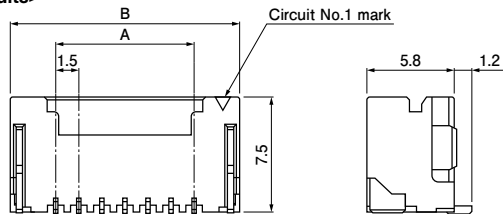
<2 circuits>



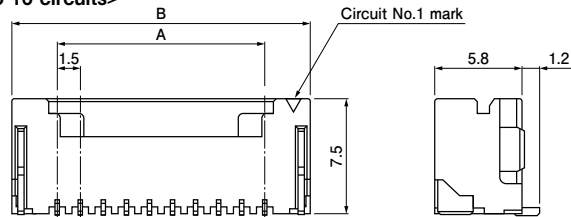
<3 to 5 circuits>



<6 to 9 circuits>

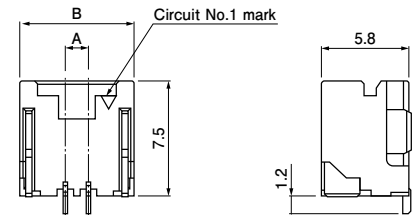


<10 to 16 circuits>

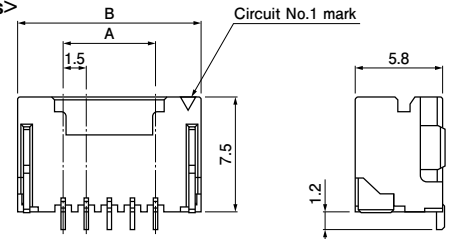


### Side entry type

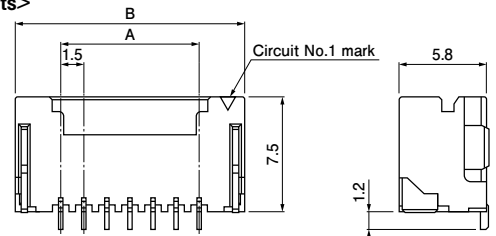
<2 circuits>



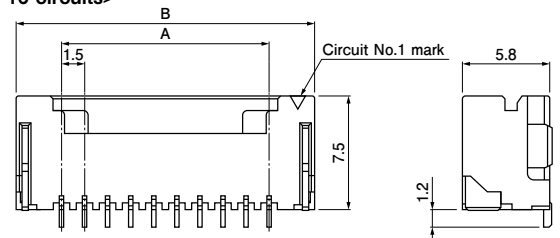
<3 to 5 circuits>



<6 to 9 circuits>



<10 to 16 circuits>



### Top entry type

| No. of circuits | Model No.      | Dimensions (mm) |      | Q'ty/reel |
|-----------------|----------------|-----------------|------|-----------|
|                 |                | A               | B    |           |
| 2               | BM02B-ZESS-TBT | 1.5             | 7.5  | 800       |
| 3               | BM03B-ZESS-TBT | 3.0             | 9.0  | 800       |
| 4               | BM04B-ZESS-TBT | 4.5             | 10.5 | 800       |
| 5               | BM05B-ZESS-TBT | 6.0             | 12.0 | 800       |
| 6               | BM06B-ZESS-TBT | 7.5             | 13.5 | 800       |
| 7               | BM07B-ZESS-TBT | 9.0             | 15.0 | 800       |
| 8               | BM08B-ZESS-TBT | 10.5            | 16.5 | 800       |
| 9               | BM09B-ZESS-TBT | 12.0            | 18.0 | 800       |
| 10              | BM10B-ZESS-TBT | 13.5            | 19.5 | 800       |
| 11              | BM11B-ZESS-TBT | 15.0            | 21.0 | 800       |
| 12              | BM12B-ZESS-TBT | 16.5            | 22.5 | 800       |
| 13              | BM13B-ZESS-TBT | 18.0            | 24.0 | 800       |
| 14              | BM14B-ZESS-TBT | 19.5            | 25.5 | 800       |
| 15              | BM15B-ZESS-TBT | 21.0            | 27.0 | 800       |
| 16              | BM16B-ZESS-TBT | 22.5            | 28.5 | 800       |

#### Material and Finish

Contact: Copper alloy, copper-undercoated, tin-plated (reflow treatment)  
 Wafer: Polyamide, UL94V-0, natural  
 Reinforcement: Copper alloy, copper-undercoated, tin-plated (reflow treatment)

**RoHS2 compliance** This product displays (LF)(SN) on a label.  
 Note: The products listed above are supplied on embossed-tape/with suction tape.

### Side entry type

| No. of circuits | Model No.     | Dimensions (mm) |      | Q'ty/reel |
|-----------------|---------------|-----------------|------|-----------|
|                 |               | A               | B    |           |
| 2               | SM02B-ZESS-TB | 1.5             | 7.5  | 1,000     |
| 3               | SM03B-ZESS-TB | 3.0             | 9.0  | 1,000     |
| 4               | SM04B-ZESS-TB | 4.5             | 10.5 | 1,000     |
| 5               | SM05B-ZESS-TB | 6.0             | 12.0 | 1,000     |
| 6               | SM06B-ZESS-TB | 7.5             | 13.5 | 1,000     |
| 7               | SM07B-ZESS-TB | 9.0             | 15.0 | 1,000     |
| 8               | SM08B-ZESS-TB | 10.5            | 16.5 | 1,000     |
| 9               | SM09B-ZESS-TB | 12.0            | 18.0 | 1,000     |
| 10              | SM10B-ZESS-TB | 13.5            | 19.5 | 1,000     |
| 11              | SM11B-ZESS-TB | 15.0            | 21.0 | 1,000     |
| 12              | SM12B-ZESS-TB | 16.5            | 22.5 | 1,000     |
| 13              | SM13B-ZESS-TB | 18.0            | 24.0 | 1,000     |
| 14              | SM14B-ZESS-TB | 19.5            | 25.5 | 1,000     |
| 15              | SM15B-ZESS-TB | 21.0            | 27.0 | 1,000     |
| 16              | SM16B-ZESS-TB | 22.5            | 28.5 | 1,000     |

#### Material and Finish

Contact: Copper alloy, copper-undercoated, tin-plated (reflow treatment)  
 Wafer: Polyamide, UL94V-0, natural  
 Reinforcement: Copper alloy, copper-undercoated, tin-plated (reflow treatment)

**RoHS2 compliance** This product displays (LF)(SN) on a label.  
 Note: The products listed above are supplied on embossed-tape/without suction tape.

# ZE CONNECTOR

## Model number allocation

### Contact

**S ZE - 002 T - P 0.3**

Form: S...Strip form

Series name

Applicable wire range: 002...AWG #28 to #24  
003...AWG #30 to #26

Surface finish: T...Tin-plated (reflow treatment)

Material: P...Phosphor bronze

Terminal size

### Housing

**ZE R - 02 V - S**

Series name

Part name: Socket

No. of circuits: 2 to 16

Flammability: V...UL94V-0

Color: S...Natural, Z...Ivory, E...Blue, TR...Tomato red, MG...Moss green, DH...Dark gray, DPK...Dark pink, L...Lemon yellow, LE...Light blue, DO...Dark orange, DP...Dark purple, K...Black, R...Red, M...Green, Y...Yellow, N...Brown, P...Purple, FY...Fluorescent yellow, PK...Pink, O...Orange

### Header (DIP type)

**B 02 B - ZE S K - D**

Shape of assembled product:  
B...Top entry type, S...Side entry type

No. of circuits: 2 to 16

Part name: Header

Series name

Color: S...Natural, Z...Ivory, E...Blue, TR...Tomato red, MG...Moss green, DH...Dark gray, DPK...Dark pink, L...Lemon yellow, LE...Light blue, DO...Dark orange, K...Black, R...Red, M...Green, Y...Yellow, N...Brown, P...Purple, FY...Fluorescent yellow, PK...Pink, O...Orange

Indication of clinch: K...Clinched, S...Straight pin

Shape: Top entry type/1...With boss, None...Without boss  
(Only top entry type 2-circuit is a product with boss.)  
: Side entry type/2...With boss

Sub model number: D...Normal type, None...Colored product

### Header (SMT type)

**BM 02 B - ZE S S - TB T**

Shape of assembled product:  
BM...Top entry type  
SM...Side entry type

No. of circuits: 2 to 16

Part name: Header

Series name

Color: S...Natural, Z...Ivory, E...Blue, TR...Tomato red, MG...Moss green, DH...Dark gray, DPK...Dark pink, L...Lemon yellow, LE...Light blue, DO...Dark orange, DP...Dark purple

Indication of clinch: S...Straight pin

Packaging style: TB...Embossed-taping

Suction tape: None...Without suction tape, T...With suction tape

Model number "BM" (Top entry type) has suction tape, and "T" is given to the end of model number.  
Model number "SM" (Side entry type) has no suction tape, and "T" is not given to the end of model number.

单击下面可查看定价，库存，交付和生命周期等信息

[>>JST\(杰世腾\)](#)