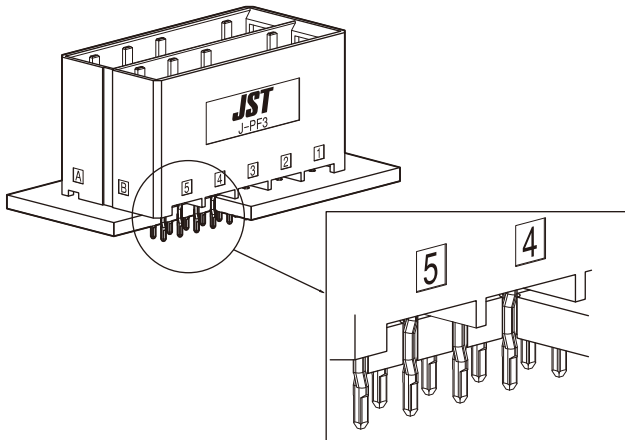


JFA CONNECTOR J-PF3 PRESS FIT TYPE



- Press fit contact is adopted.
- Easy PC board layout
- Use the receptacle contact of J300 series

Specifications

- Current rating : AC/DC

Unit : A

No. of circuits	Wire size (AWG)					
	#14	#16	#18	#20	#22	#24
4	13.0	11.5	9.5	8.0	6.5	5.5
5	13.0	11.5	9.5	8.0	6.5	5.5
6	12.5	11.0	9.0	7.5	6.0	5.0
10	11.5	10.0	8.5	7.0	5.5	4.5

- Voltage rating: 250 V
- Temperature range: -55°C to +105°C
(including temperature rise in applying electrical current)
- Applicable PC board thickness: 2.4 to 3.4 mm
- * In using the products, refer to "Handling Precautions for Terminals and Connectors" described on our website (Technical documents of Product information page).
- * RoHS2 compliance
- * Dimensional unit: mm
- * Contact JST for details.

Standards

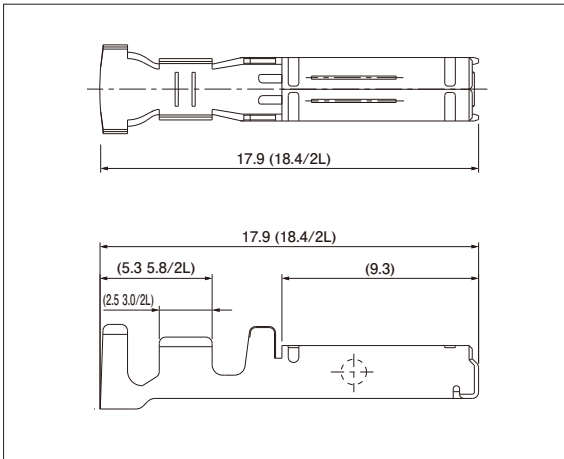
 : Recognized E 60389

Assembly layout

			When using J-PF3 receptacle	When using J-PF3 receptacle modular
Wire-to-board	Top entry type	Single-row		
		Dual-row		

J300 SERIES/J-PF3 PRESS FIT TYPE

Receptacle contact



Model No.		Applicable wire			Insulation O.D. (mm)	Q'ty	
Strip contact	Loose piece	Size	mm ²	AWG#		reel	Box (Loose piece)
SF3F-002(*)-P2.0	BF3F-002(*)-P2.0	S	0.08~0.20	28~24	0.8~1.4	3,700	1,000
SF3F-01(*)-P2.0	BF3F-01(*)-P2.0	M	0.20~0.50	24~20	1.2~2.6	3,700	1,000
SF3F-41(*)-P2.0	LF3F-41(*)-P2.0	L	0.50~1.25	20~16	1.8~2.8	3,200	1,000
SF3F-71(*)-P2.0	BF3F-71(*)-P2.0	2L	1.25~2.0	16~14	2.4~3.4	3,200	1,000

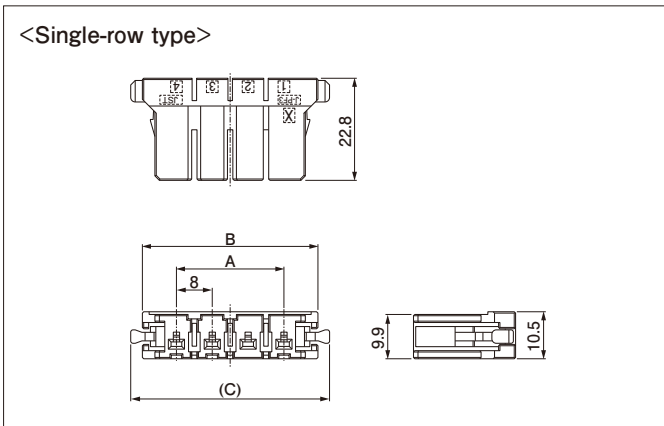
Material and Finish

Copper alloy (superior conductivity), nickel-undercoated, selective gold-plated

RoHS2 compliance

Note: Finish (*) : GF.....Nickel-undercoated, 0.38μm selective gold-plated
 GFA...Nickel-undercoated, 0.38μm selective gold-plated (A type)
 GI.....Nickel-undercoated, 0.76μm selective gold-plated
 GIA....Nickel-undercoated, 0.76μm selective gold-plated (A type)

Receptacle housing



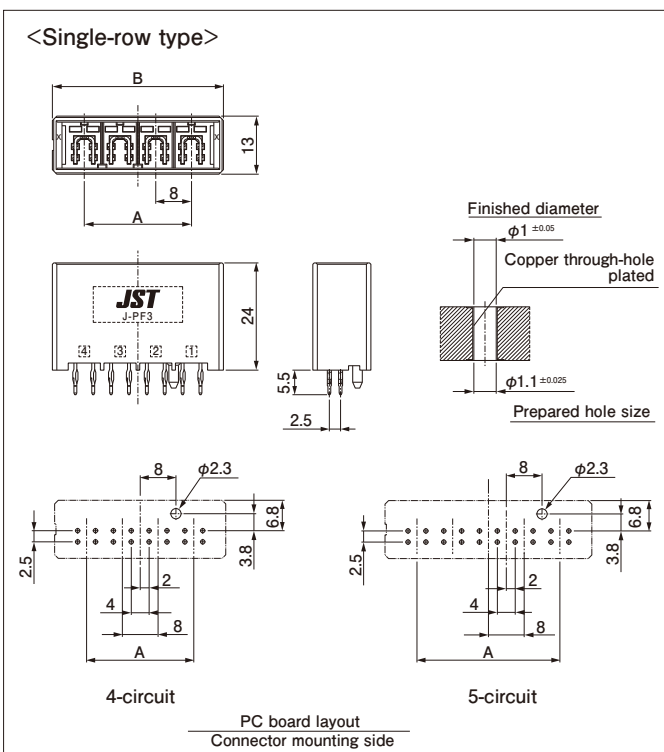
No. of circuits	Keying	Model No.	Dimensions (mm)			Q'ty/ bag
			A	B	C	
4	X	JPF3FSS-04V-KX	24.0	39.2	44.4	100
	Y	JPF3FSS-04V-KY	24.0	39.2	44.4	100
	V	JPF3FSS-04V-KV	24.0	39.2	44.4	100
	W	JPF3FSS-04V-KW	24.0	39.2	44.4	100
5	X	JPF3FSS-05V-KX	32.0	47.2	52.4	100
	Y	JPF3FSS-05V-KY	32.0	47.2	52.4	100
	V	JPF3FSS-05V-KV	32.0	47.2	52.4	100
	W	JPF3FSS-05V-KW	32.0	47.2	52.4	100

Material

Thermoplastic resin, UL94V-0, black

RoHS2 compliance

Header Top entry type (Press fit type)



No. of circuits	Keying	Model No.	Dimensions (mm)		Q'ty/ box
			A	B	
4	X	B04B-JPF3SK-GKXR	24.0	38.3	168
	Y	B04B-JPF3SK-GKYR	24.0	38.3	168
	V	B04B-JPF3SK-GKVR	24.0	38.3	168
	W	B04B-JPF3SK-GKWR	24.0	38.3	168
5	X	B05B-JPF3SK-GKXR	32.0	47.2	144
	Y	B05B-JPF3SK-GKYR	32.0	47.2	144
	V	B05B-JPF3SK-GKVR	32.0	47.2	144
	W	B05B-JPF3SK-GKWR	32.0	47.2	144

Material and Finish

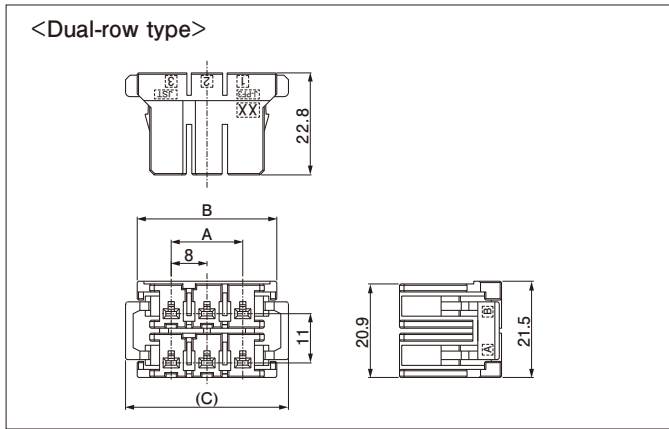
Post: Copper alloy, gold-plated
 Housing: Thermoplastic resin, UL94V-0, black

RoHS2 compliance

Note: Contact JST for jig for press fit.

J300 SERIES/J-PF3 PRESS FIT TYPE

Receptacle housing



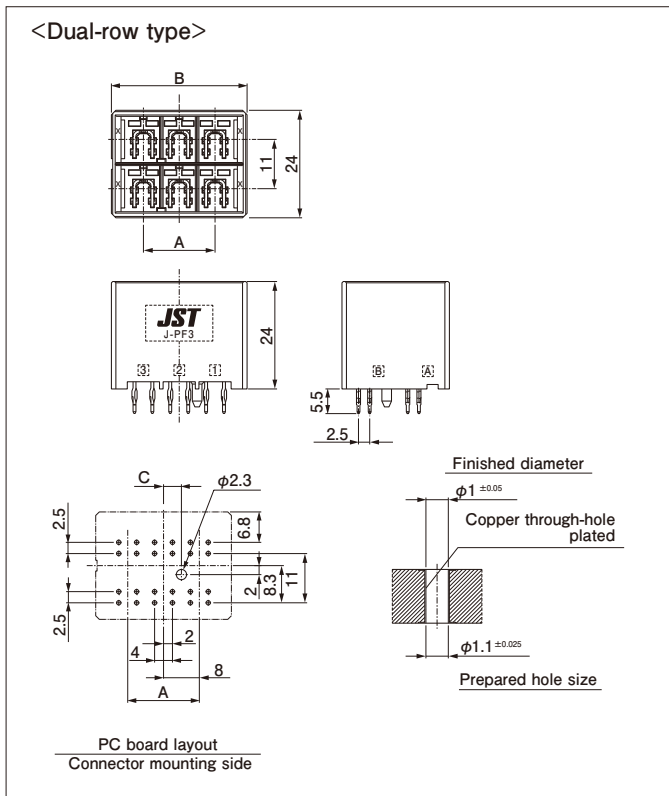
No. of circuits	Keying	Model No.	Dimensions (mm)			Q'ty/ bag
			A	B	C	
6	XX	JPF3FMS-06V-KXX	16.0	31.2	36.4	100
	YY	JPF3FMS-06V-KYY	16.0	31.2	36.4	100
	XY	JPF3FMS-06V-KXY	16.0	31.2	36.4	100
	YX	JPF3FMS-06V-KYX	16.0	31.2	36.4	100
10	XX	JPF3FMS-10V-KXX	32.0	47.2	52.4	100
	YY	JPF3FMS-10V-KYY	32.0	47.2	52.4	100
	XY	JPF3FMS-10V-KXY	32.0	47.2	52.4	100
	YX	JPF3FMS-10V-KYX	32.0	47.2	52.4	100

Material and Finish

Thermoplastic resin, UL94V-0, black

RoHS2 compliance

Header Top entry type (Press fit type)



No. of circuits	Keying	Model No.	Dimensions (mm)			Q'ty/ box
			A	B	C	
6	XX	B06B-JPF3MK-GKXXR	16.0	30.3	4.0	144
	YY	B06B-JPF3MK-GKYR	16.0	30.3	4.0	144
	XY	B06B-JPF3MK-GKXYR	16.0	30.3	4.0	144
	YX	B06B-JPF3MK-GKYXR	16.0	30.3	4.0	144
10	XX	B10B-JPF3MK-GKXXR	32.0	46.3	12.0	96
	YY	B10B-JPF3MK-GKYR	32.0	46.3	12.0	96
	XY	B10B-JPF3MK-GKXYR	32.0	46.3	12.0	96
	YX	B10B-JPF3MK-GKYXR	32.0	46.3	12.0	96

Material and Finish

Post: Copper alloy, gold-plated

Housing: Thermoplastic resin, UL94V-0, black

RoHS2 compliance

Note: Contact JST for jig or press fit

J300 SERIES / J-PF3 PRESS FIT TYPE

Model number allocation

Receptacle contact

S F3 F - 41 GF - P 2.0

Form: S...Strip form, B...Loose piece
L...Loose piece with curled barrels

Series name

Kind of terminal: F...Receptacle contact

Applicable wire: 002...AWG #28~#24, 01...AWG #24~#20,
41...AWG #20~#16, 71...AWG #16~#14

Surface finish: GF...Nickel-undercoated, 0.38 μ m selective gold-plated
GFA...Nickel-undercoated, 0.38 μ m selective gold-plated (Atype)
GI...Nickel-undercoated, 0.76 μ m selective gold-plated
GIA...Nickel-undercoated, 0.76 μ m selective gold-plated (Atype)

Material: P...Copper alloy

Terminal size

Receptacle housing

JPF3 F S S - 04 V - K X

Series name

Type of connector: F...Receptacle housing

Rows: S...Single-row
M...Dual-row

Mounting arrangement: S...Side locking

Circuits: 4, 5, 6, 10

Flammability: V...UL94V-0

Color indication: K...Black

Keying: X...X-Keying, Y...Y-Keying, XX...XX-Keying, YY...YY-Keying,
XY...XY-Keying, YX...YX-Keying, V...V-Keying, W...W-Keying

Header

B 05 B - JPF3 S K - GK X R

PC board mounting direction:
B...Top entry type

Circuits: 4, 5, 6, 10

Product name: Header

Series name

Rows: S...Single-row
M...Dual-row

Color indication: K...Black

Surface finish: GK...Nickel-undercoated, 0.76 μ m selective gold-plated

Keying: X...X-Keying, Y...Y-Keying, XX...XX-Keying, YY...YY-Keying,
XY...XY-Keying, YX...YX-Keying, V...V-Keying, W...W-Keying

Packaging form: R...Tray

单击下面可查看定价，库存，交付和生命周期等信息

[>>JST\(杰世腾\)](#)