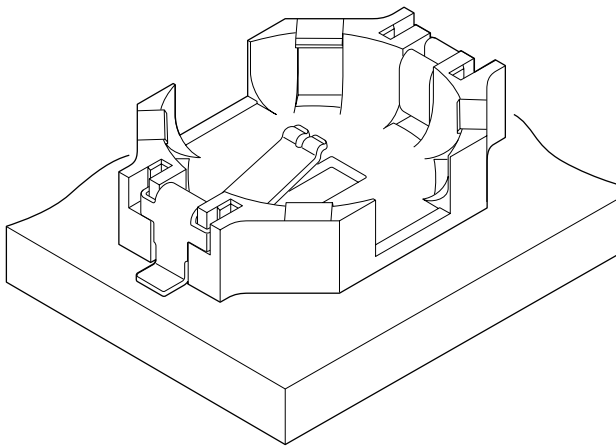


PB CONNECTOR



Connector for button batteries used in the compact mobile equipment such as mobile phones. Mounting cost will be reduced by using this connector in place of manual soldering. And, button batteries can be more easily disassembled after use for recycling's sake.

- Resistant to the shock
- Double contact point

Specifications

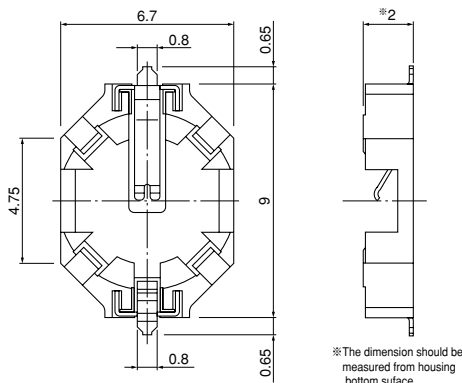
- Applicable batteries: 614 type battery (ϕ 6.8 mm \times 1.4 height)
621 type battery (ϕ 6.8 mm \times 2.1 height)
 - Temperature range: -25°C to +85°C
(including temperature rise in applying electrical current)
 - Contact resistance: Initial value/ 100 m Ω max.
After environmental tests/ 120 m Ω max.
 - Insulation resistance: 1,000 M Ω min.
 - Withstanding voltage: 500 VAC/minute
- * Refer to "General Instruction and Notice when using Terminals and Connectors" at the end of this catalog.
* Contact JST for details.
* Compliant with RoHS.

Standards

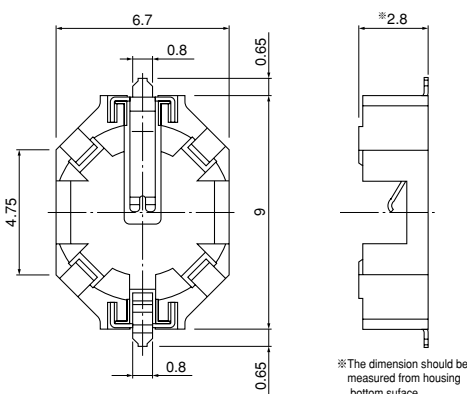
Recognized E60389

Connector

614 type



621 type



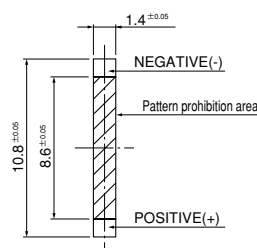
Type	Holder part	Model No.	Q'ty / reel
614	Resin hook	PB-614SS13-TF	2,000
621	Resin hook	PB-621SR13-TF	2,000

Material and Finish

Contact: Copper alloy, nickel-undercoated, gold-plated
Housing: Glass-filled LCP, UL94V-0, natural (ivory)

RoHS compliance

PB-614SS13-TF PB-621SR13-TF



Note: The above figure is the figure viewed from the connector mounting side.

单击下面可查看定价，库存，交付和生命周期等信息

[>>JST\(杰世腾\)](#)