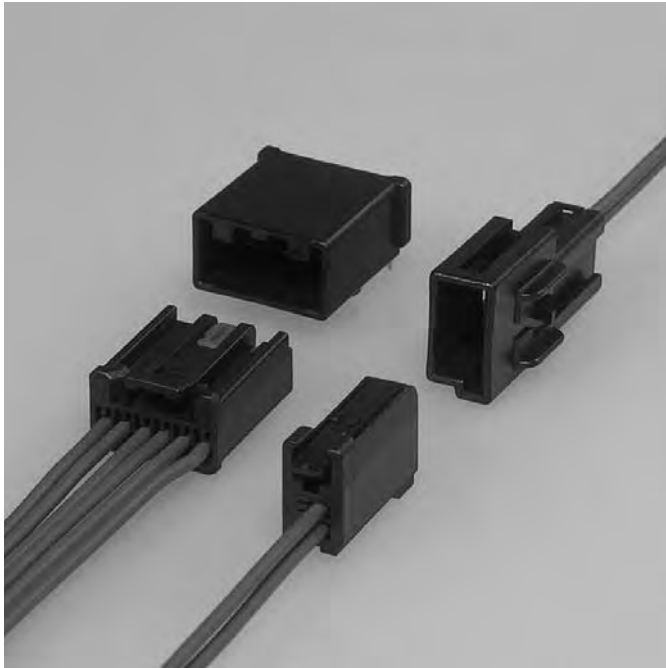


AIT-II CONNECTOR

0.64 terminal

Board-to-wire/Wire-to-wire



0.64 unsealed low-profile connector series for use in a wide range of automotive applications.

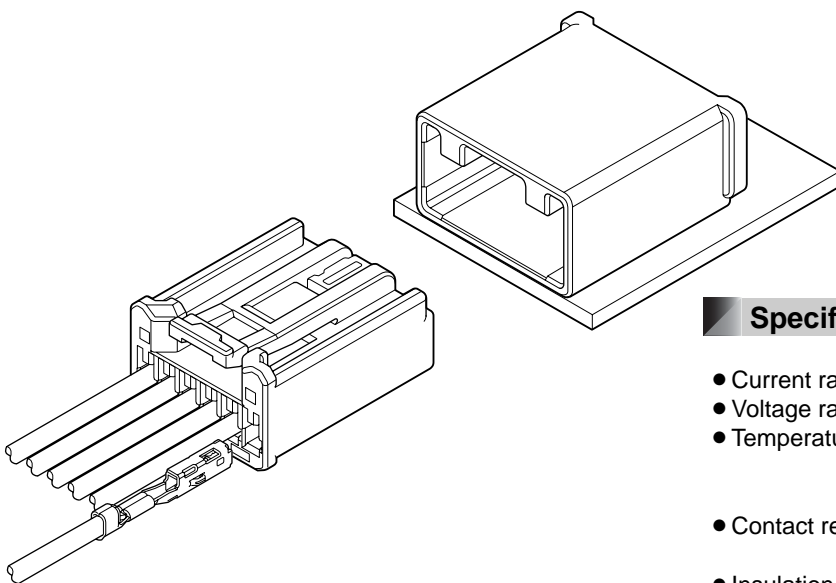
Features

● Ultra Low Profile Connector

Over 30% Height Reduction as compared to the Standard USCAR Footprints.

● Variations

There are multiple varieties of AIT-II Connectors which can satisfy your needs.

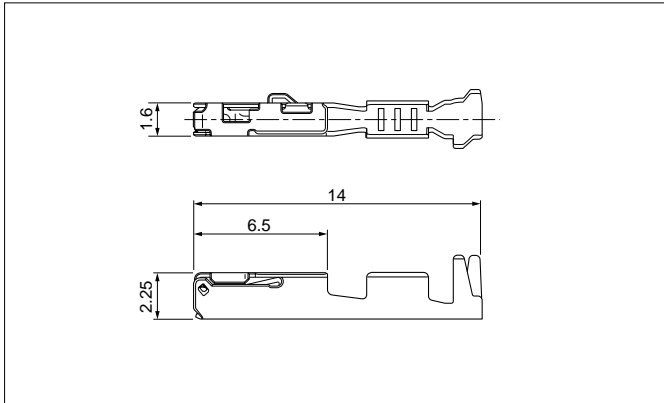


Specifications

- Current rating: 5 A DC max.
- Voltage rating: 14 V DC
- Temperature range: -40°C to +105°C
(including temperature rise in applying electrical current)
- Contact resistance: Initial value/ 15 mΩ max.
After environmental tests/ 15 mΩ max.
- Insulation resistance: 100 MΩ min.
- Applicable wire: SAE/ AVSS/ CAVS/ FLRY
0.3 mm² to 0.85 mm²

- * Compliant with ELV/RoHS.
- * Contact JST for details.

Female terminal

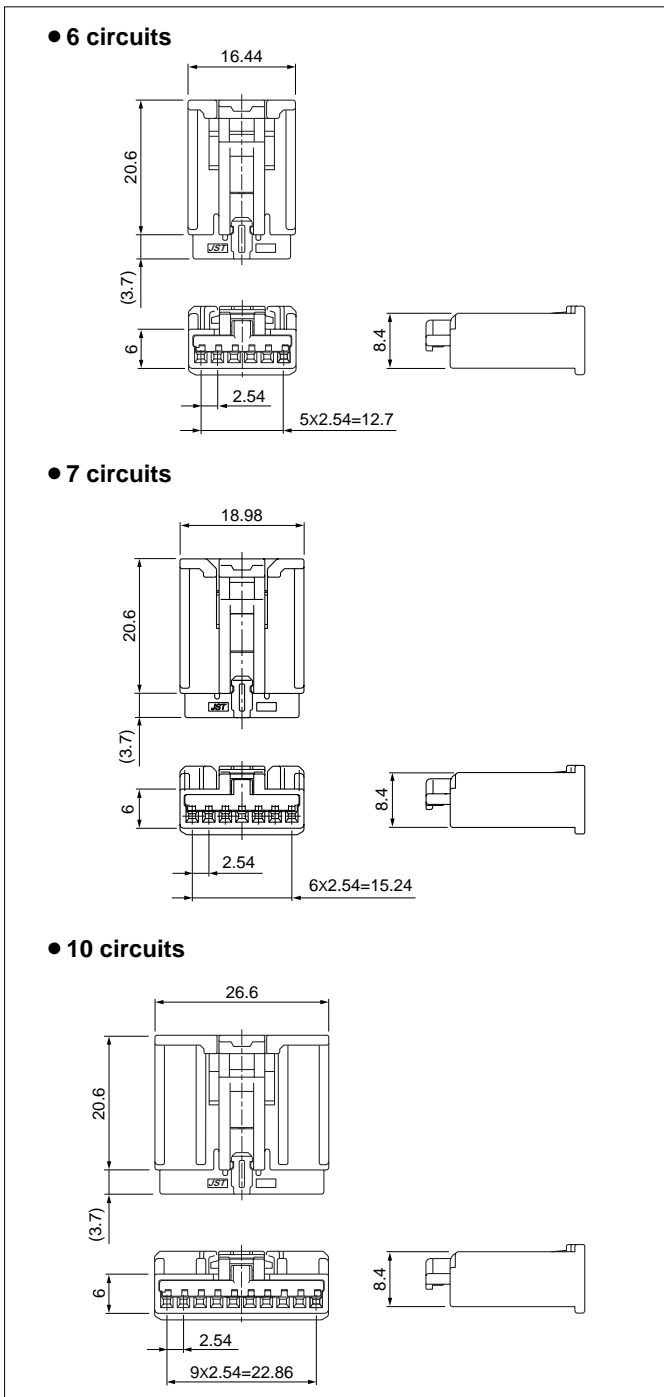


Model No.	Applicable wire range		Q'ty/reel
	Conductor (mm ²)	Insulation O.D. (mm)	
①SAIT-A03T-M064	0.3 to 0.5	≤1.9	6,500
①SAIT-A02T-M064	0.75 to 0.85	≤1.9	6,500
②SAIT-A03GF-M064	0.3 to 0.5	≤1.9	6,500
②SAIT-A02GF-M064	0.75 to 0.85	≤1.9	6,500

Material and Finish

- ①Copper alloy, tin-plated (reflow treatment)
- ②Copper alloy, nickel-undercoated,
Contact area; gold-plated
Barrel area; tin-plated

Female connector (Single row)



Circuits	Model No.	Q'ty/box	Housing Color
6	AIT2PB-06-1AK	5,250	Black
	AIT2PB-06-1BH	5,250	Gray
	AIT2PB-06-1FS	5,250	Natural (White)
7	AIT2PB-07-1BH	300	Gray
	AIT2PB-07-1FS	300	Natural (White)
10	AIT2PB-10-1AK	3,000	Black
	AIT2PB-10-1BH	3,000	Gray
	AIT2PB-10-1DM	3,000	Green
	AIT2PB-10-1FS	3,000	Natural (White)
	AIT2PB-10-1AD	3,000	Orange

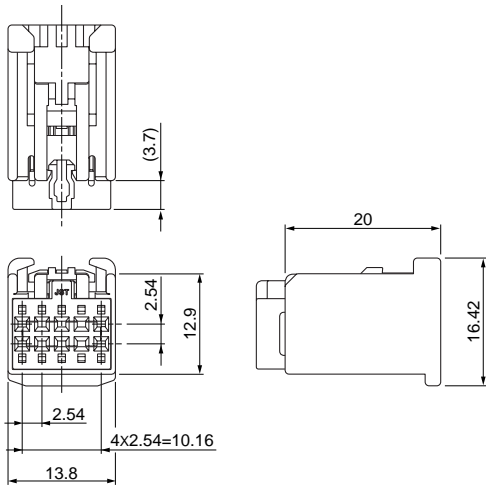
Material and Finish

- Housing: Glass-filled PBT
- TPA: Glass-filled PBT, Red

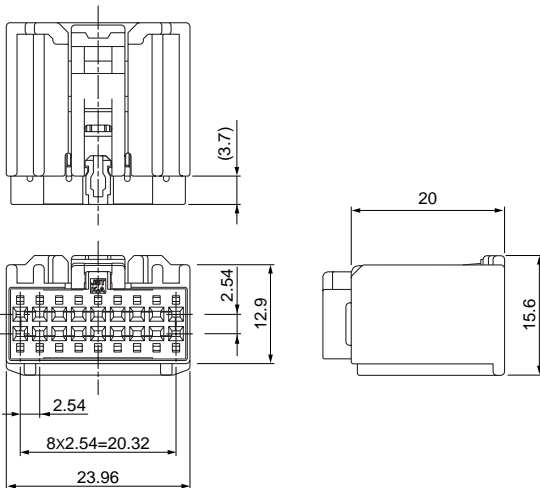
AIT-II CONNECTOR

Female connector (Dual row)

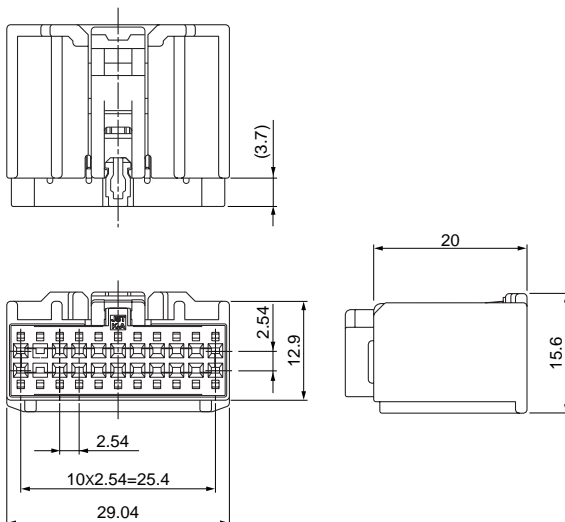
• 10 circuits



• 18 circuits



• 22 circuits



Circuits	Model No.	Q'ty/box	Housing Color	TPA Color
10	AIT2PB-10P-2AK	200	Black	Natural (White)
	AIT2PB-10P-2BH	200	Gray	Natural (White)
18	AIT2PB-18-2AD	120	Orange	Black
	AIT2PB-18-2BD	120	Orange	Natural (White)
	AIT2PB-18-2AK	120	Black	Natural (White)
	AIT2PB-18-2BH	120	Gray	Natural (White)
	AIT2PB-18-2DM	120	Green	Natural (White)
	AIT2PB-18-2FS	120	Natural (White)	Black
22	AIT2PB-22-2AK	100	Black	Natural (White)
	AIT2PB-22-2BH	100	Gray	Natural (White)
	AIT2PB-22-2CN	100	Brown	Natural (White)
	AIT2PB-22-2FS	100	Natural (White)	Black

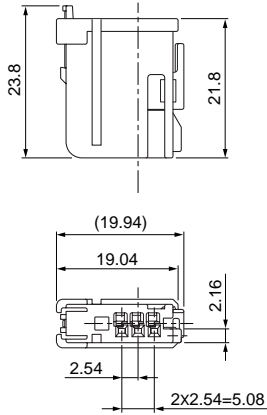
Material and Finish

Housing: Glass-filled PBT
TPA: Glass-filled PBT

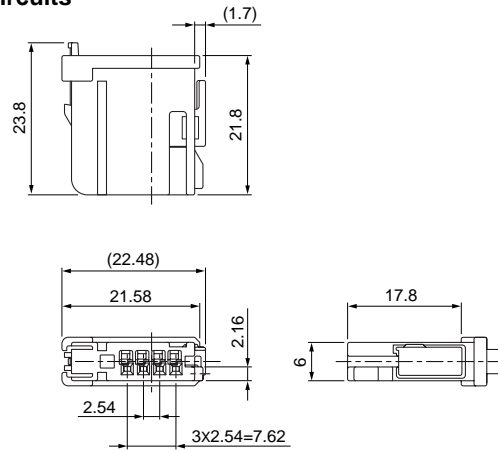
Female connector (Side Lock)

Side-Load TPA

• 3 circuits

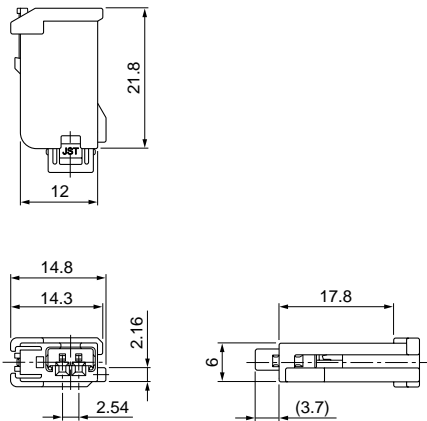


• 4 circuits

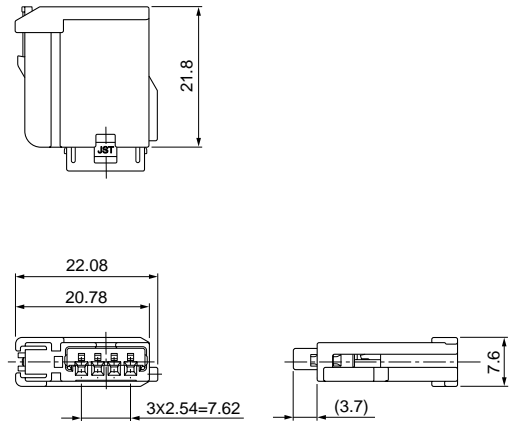


Front-Load TPA

• 2 circuits



• 4 circuits



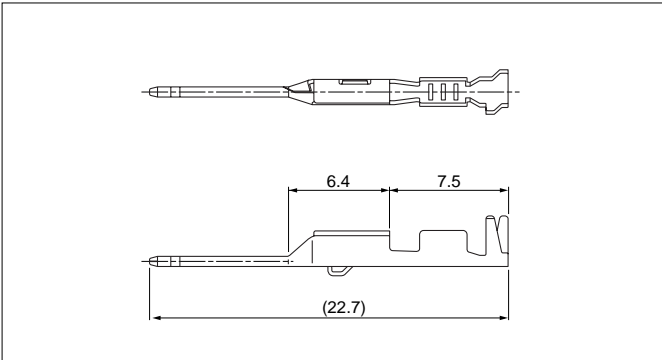
Circuits	TPA Location	Model No.	Q'ty/box	Housing Color
2	Front-Load	AIT2PB-02G-1AK	8,400	Black
		AIT2PB-02A-1FS	8,400	Natural (White)
3	Side-Load	AIT2PB-03B-1AK	6,000	Black
4	Front-Load	AIT2PB-04G-1AK	5,500	Black
	Side-Load	AIT2PB-04B-1AK	400	Black

Material and Finish

Housing: Glass-filled PBT
TPA: Glass-filled PBT, Red

AIT-II CONNECTOR

Male terminal

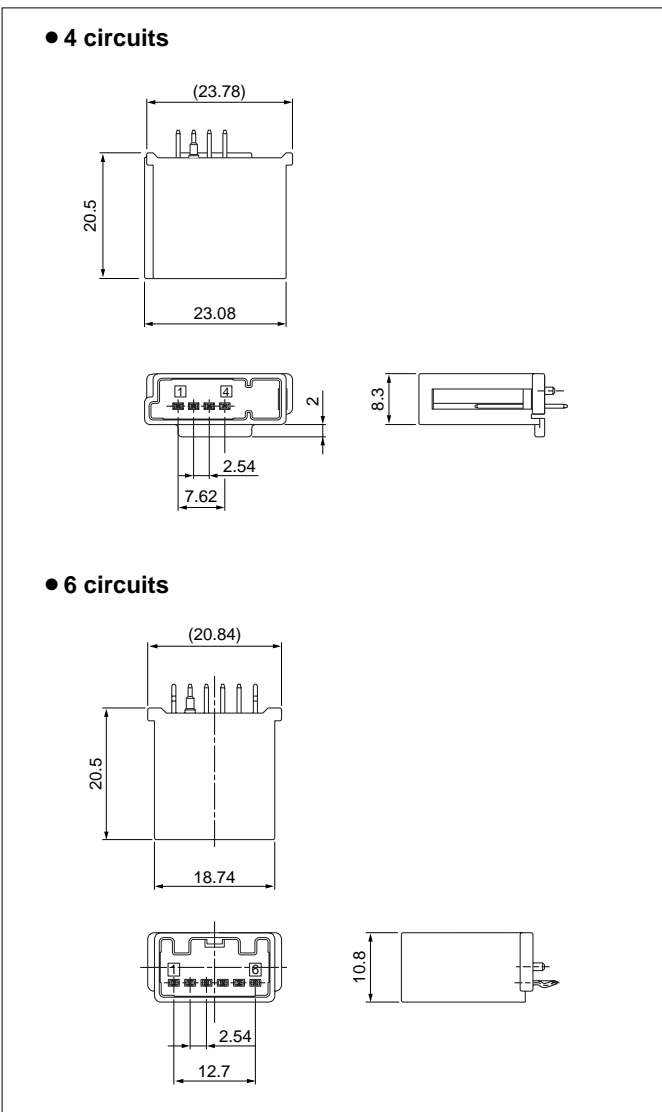


Model No.	Applicable wire range		Q'ty/reel
	Conductor (mm ²)	Insulation O.D. (mm)	
①SAITW-A03T-064	0.3 to 0.5	≤1.9	9,000
①SAITW-A02T-064	0.75 to 0.85	≤1.9	7,000
②SAITW-A03GF-064	0.3 to 0.5	≤1.9	9,000
②SAITW-A02GF-064	0.75 to 0.85	≤1.9	7,000

Material and Finish

- ①Brass, tin-plated (reflow treatment)
- ②Brass, nickel-undercoated, Contact area: gold-plated
Barrel area: tin-plated

Male connector (Top entry type)



Circuits	Model No.	Q'ty/box	Housing Color
4	①B04BA-AIT2-1AK	108	Black
6	②B06BA-AIT2-1AK-K	120	Black

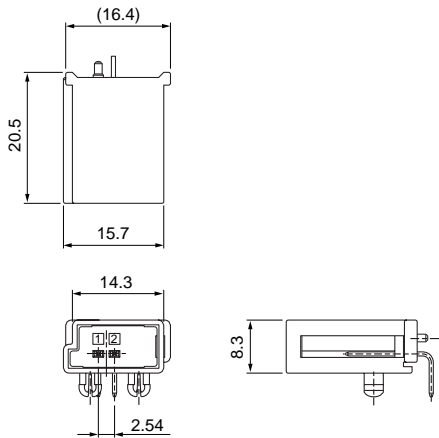
Material and Finish

- Housing: ①Glass-filled nylon
②Glass-filled PBT
- Pin: Brass, tin-plated

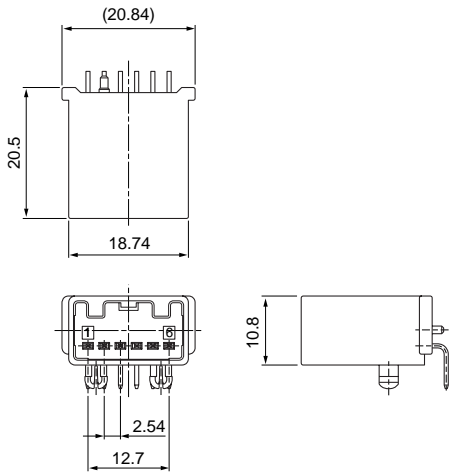
Male connector (Side entry type)

Single row

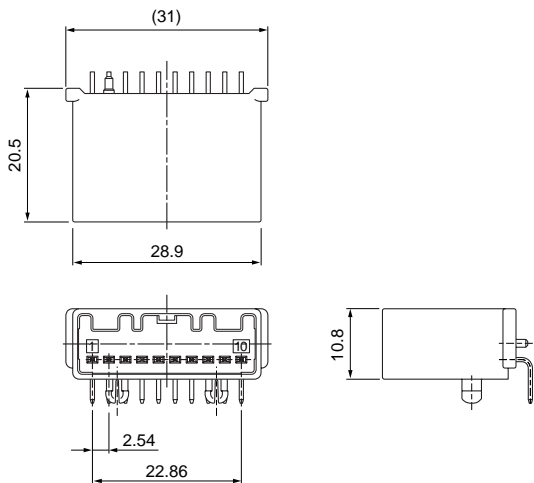
• 2 circuits



• 6 circuits



• 10 circuits



Circuits	Model No.	Q'ty/box	Housing Color
2	① S02BA-AIT2-1AK	96	Black
	① S02BA-AIT2-1FS		Natural (White)
6	① S06B-AIT2-1AK	80	Black
	① S06B-AIT2-1FS		Natural (White)
	① S06B1-AIT2-1FS		Natural (White)
	② S06B1-AIT2G-1AK		Black
10	② S10B-AIT2G-1AK	72	Black
	② S10B-AIT2G-1AD		Orange

Material and Finish

Housing: Glass-filled PBT

Pin: ① Brass, tin-plated

② Brass, tin-plated, nickel-undercoated,

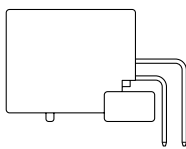
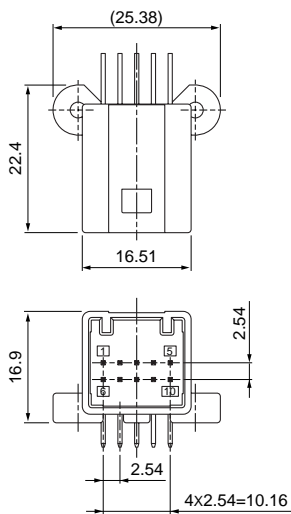
Contact area: gold-plated

AIT-II CONNECTOR

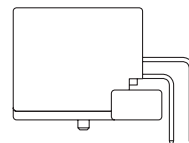
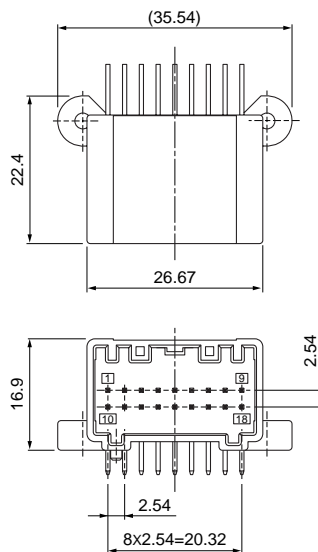
Male connector (Side entry type)

Dual row

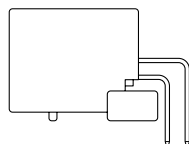
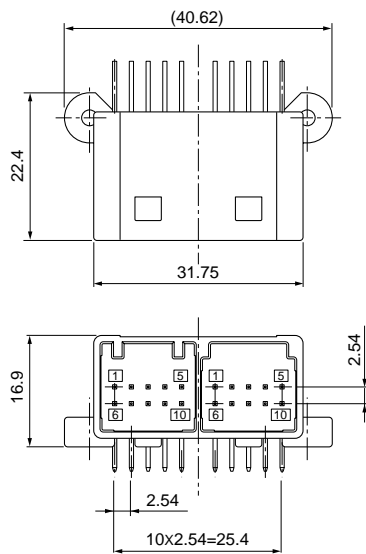
• 10 circuits



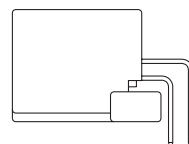
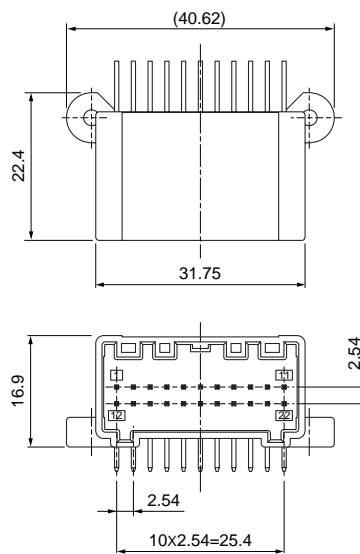
• 18 circuits



• 20 circuits



• 22 circuits



Circuits	Model No.	Q'ty/box	Housing Color
10	① S10B-AIT2-2AK (LF)(SN)	224	Black
	② S10B-AIT2G-2AK		Black
18	② S18B-AIT2G-2AK	160	Gray
	② S18B-AIT2G-2BH		Green
	② S18B-AIT2G-2DM		Natural (White)
	② S18B-AIT2G-2FS		Orange
	② S18B-AIT2G-2AD		Orange
20	② S20B-AIT2G-2A2BK	128	Black
	② S22B-AIT2G-2AK		Black
22	② S22B-AIT2G-2BH	128	Gray
	② S22B-AIT2G-2CN		Brown
	② S22B-AIT2G-2FS		Natural (White)

Material and Finish

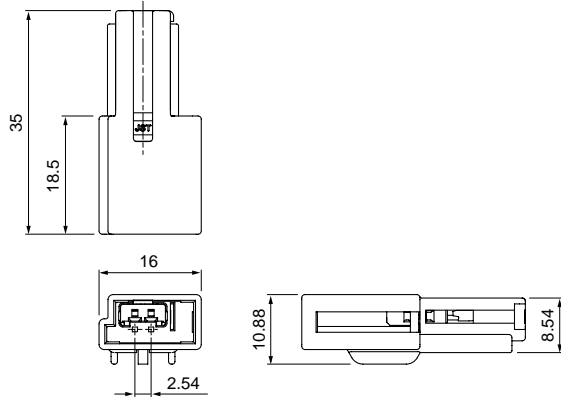
Housing: Glass-filled PBT

Pin: ① Brass, tin-plated

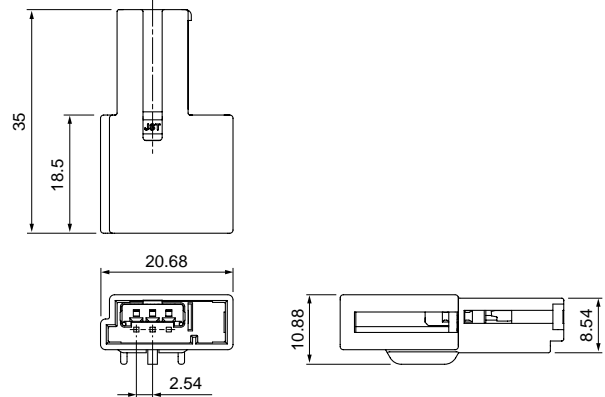
② Brass, tin-plated, Contact area: gold-plated

Male connector (Wire-to-wire)

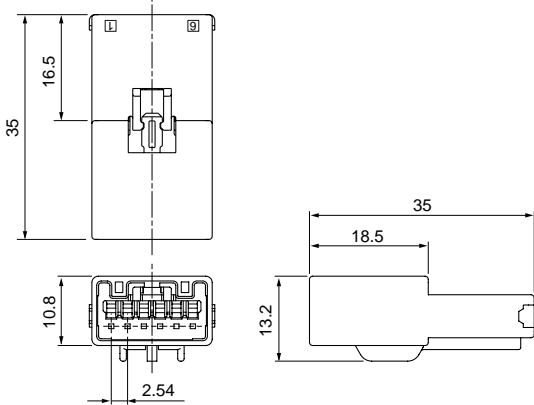
● 2 circuits



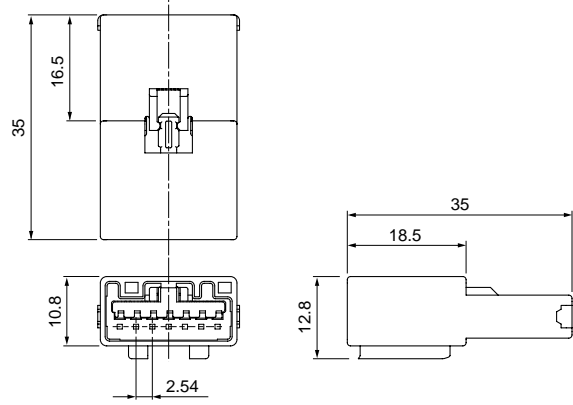
● 3 circuits



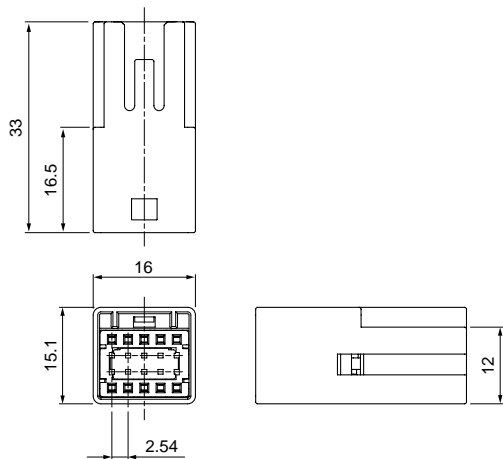
● 6 circuits



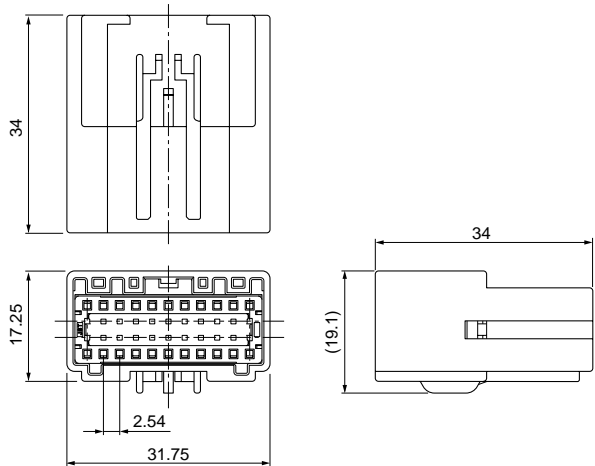
● 7 circuits



● 10 circuits (Dual row)



● 22 circuits (Dual row)



Circuits	Model No.	Q'ty/box	Housing Color	TPA Color
2	AIT2WSB-02A-1AK	300	Black	Red
3	AIT2WSB-03A-1AK	200	Black	Red
6	AIT2WSB-06-1AK	150	Black	Red
	AIT2WSB-06-1FS	150	Natural (White)	Red
7	AIT2WSB-07-1FS	150	Natural (White)	Red
	AIT2WSB-07-1FK	150	Black	Red
10	AIT2WSB-10A-2AK	150	Black	Natural (White)
	AIT2WSB-10A-2BH	150	Gray	Natural (White)
22	AIT2WSB-22-2AK	60	Black	Natural

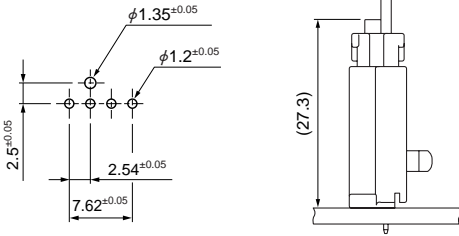
Material

Housing: Glass-filled PBT
TPA: Glass-filled PBT

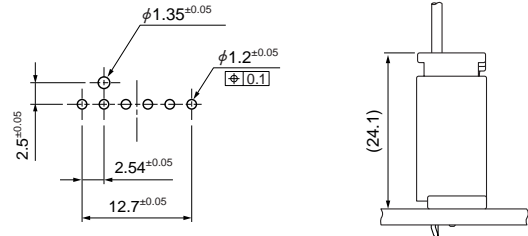
PC board layout, Assembly layout

Top entry type

● 4 circuits



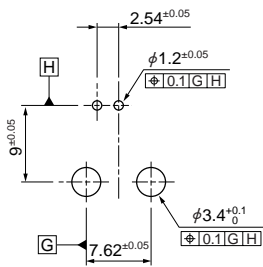
● 6 circuits



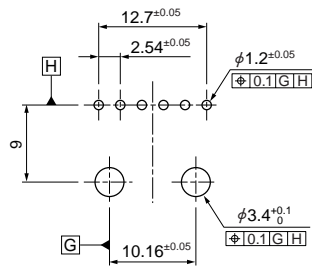
Side entry type

Single row

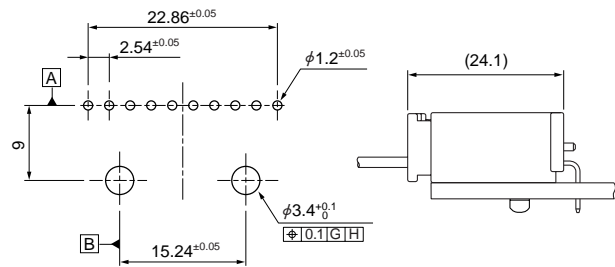
● 2 circuits



● 6 circuits

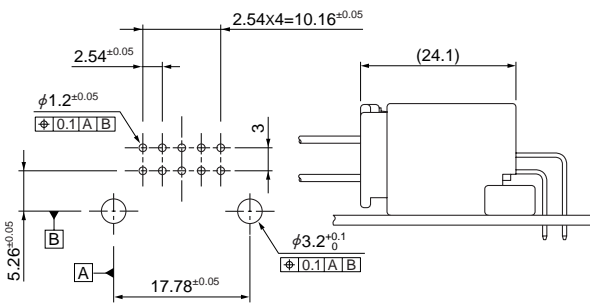


● 10 circuits

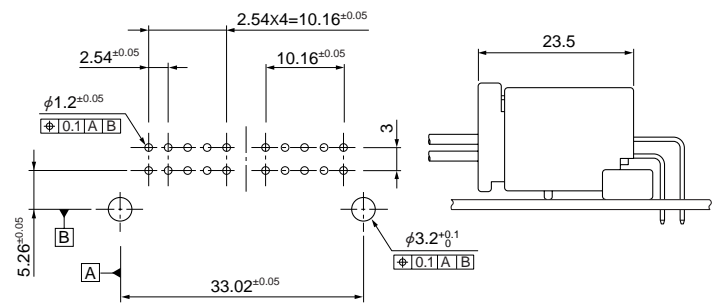


Dual row

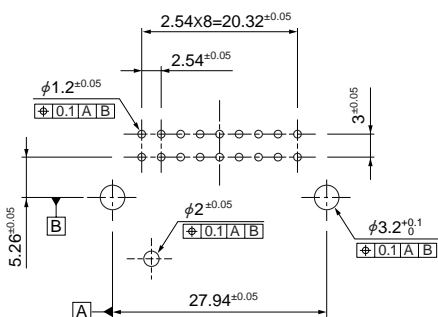
● 10 circuits



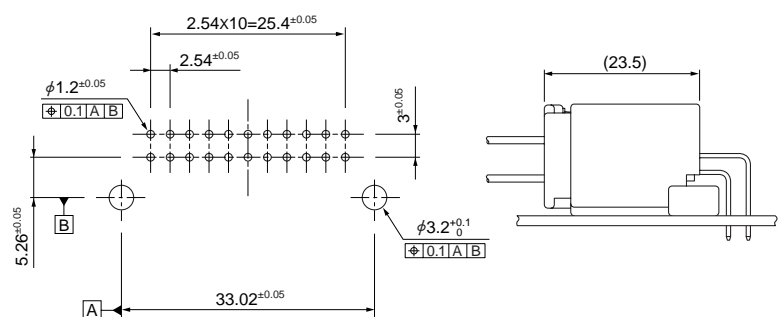
● 20 circuits



● 18 circuits



● 22 circuits



Note: 1. Tolerances are non-cumulative.

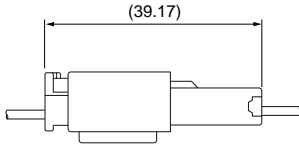
2. Hole dimensions differ according to the type of PC board and piercing method. The dimensions above should serve as guideline. Contact JST for details.

Assembly layout

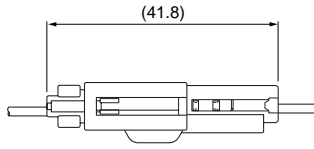
Wire-to-wire type

• Single row

AIT2WSB-()-1()

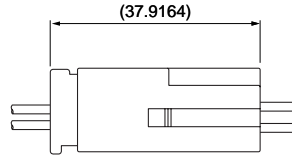


AIT2WSB-()A-1()

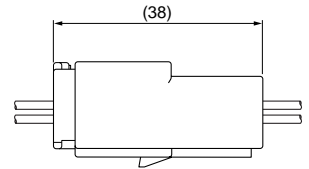


• Dual row

AIT2WSB-()A-2()



AIT2WSB-22-2AK



Crimping machine, Applicator

Strip terminal	Crimping machine	Crimp applicator MKS-L	
		Dies	Crimp applicator with dies
SAIT-A03()-M064	AP-K2N	MK/SAIT-A03-064	APLMK SAIT-A03-064
SAIT-A02()-M064		MK/SAIT-A02-064	APLMK SAIT-A02-064
SAITW-A03()-064		MK/SAITW-A03-064	APLMK SAITW-A03-064
SAITW-A02()-064		MK/SAITW-A02-064	APLMK SAITW-A02-064

Note: When crimping operation is conducted using an applicator and die set other than the above, JST cannot guarantee the performance of the terminal.

单击下面可查看定价，库存，交付和生命周期等信息

[>>JST\(杰世腾\)](#)