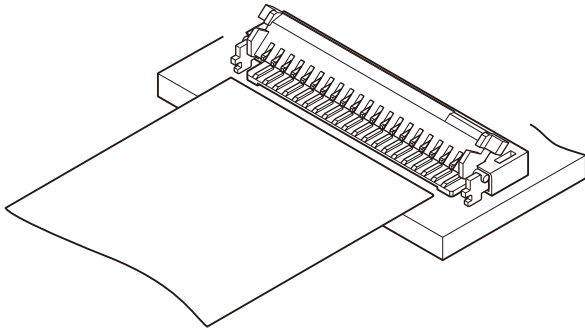


# FHSY CONNECTOR



0.5mm pitch/Connectors for FPC



**This ZIF (zero insertion force) type flip lock FPC connector achieves a low profile feature of a 0.9mm mounting height despite the thickness of the FPC being 0.3mm.**

- Space saving design
- Heat resisting design suitable for surface mounting
- Embossed tape for automatic mounting

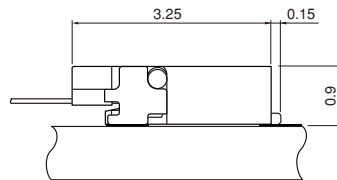
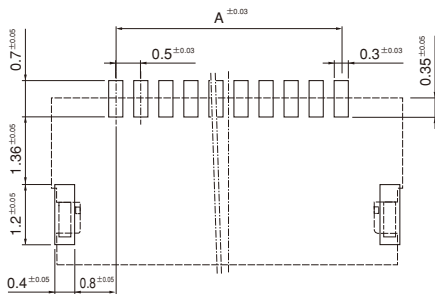
## Specifications

- Current rating: 0.5A AC, DC
- Voltage rating: 50V AC, DC
- Temperature range: -25°C to +85°C  
(including temperature rise in applying electrical current)
- Contact resistance: Initial value/60m Ω max.  
After environmental testing/60m Ω max.  
(variation from initial value)
- Insulation resistance: 500M Ω min.
- Withstanding voltage: 200V AC/minute
- Applicable FPC: Conductor pitch/0.5mm  
Conductor width/0.35mm  
Mating part thickness/0.3±0.03mm
- \* Compliant with RoHS.
- \* Refer to "General Instruction and Notice when using Terminals and Connectors" at the end of this catalog.
- \* Contact JST for details.

## Standards

Recognized E60389

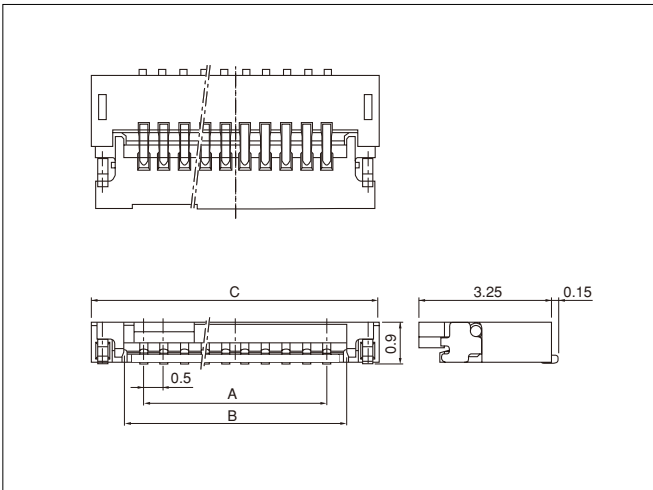
### PC board layout (viewed from component side) and Assembly layout



Note: 1. Tolerances are non-cumulative:  $\pm 0.03$ mm for all centers.  
2. The dimensions above should serve as a guideline. Contact JST for details.

# FHSY CONNECTOR

## Connector



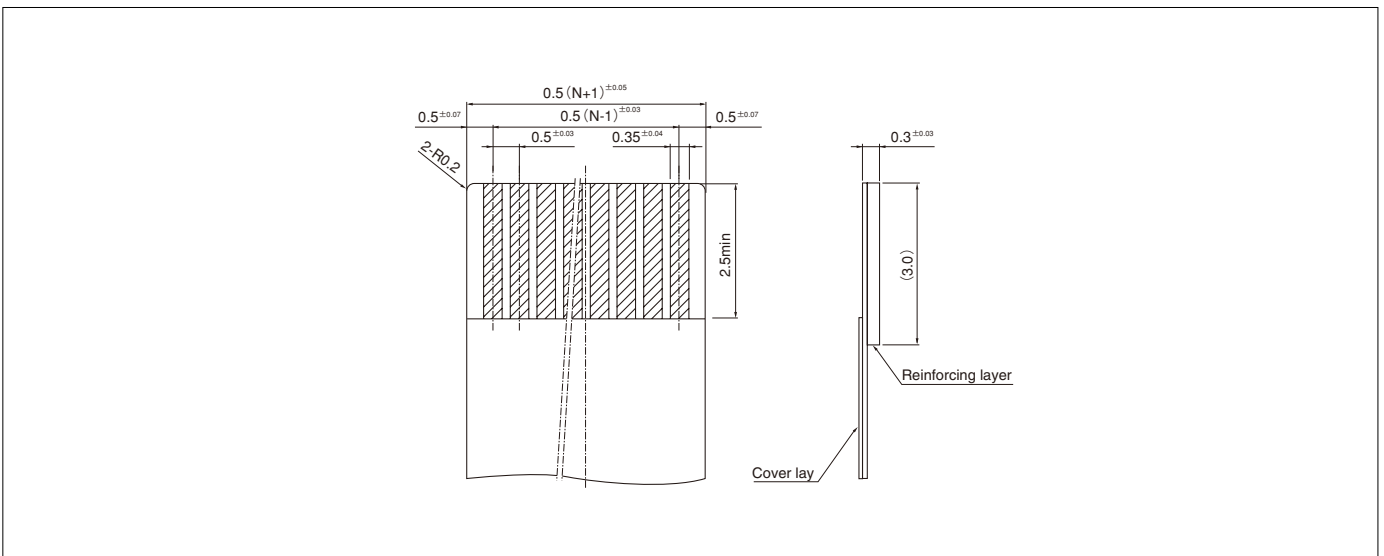
Circuits	Model No.	Dimensions (mm)			Q'ty / reel
		A	B	C	
4	04FHSY-RSM1-GAN-TB	1.5	2.5	4.06	3,000
5	05FHSY-RSM1-GAN-TB	2.0	3.0	4.56	3,000
6	06FHSY-RSM1-GAN-TB	2.5	3.5	5.06	3,000
8	08FHSY-RSM1-GAN-TB	3.5	4.5	6.06	3,000
10	10FHSY-RSM1-GAN-TB	4.5	5.5	7.06	3,000
11	11FHSY-RSM1-GAN-TB	5.0	6.0	7.56	3,000
12	12FHSY-RSM1-GAN-TB	5.5	6.5	8.06	3,000
14	14FHSY-RSM1-GAN-TB	6.5	7.5	9.06	3,000
15	15FHSY-RSM1-GAN-TB	7.0	8.0	9.56	3,000
16	16FHSY-RSM1-GAN-TB	7.5	8.5	10.06	3,000
17	17FHSY-RSM1-GAN-TB	8.0	9.0	10.56	3,000
18	18FHSY-RSM1-GAN-TB	8.5	9.5	11.06	3,000
20	20FHSY-RSM1-GAN-TB	9.5	10.5	12.06	3,000
22	22FHSY-RSM1-GAN-TB	10.5	11.5	13.06	3,000
24	24FHSY-RSM1-GAN-TB	11.5	12.5	14.06	3,000
27	27FHSY-RSM1-GAN-TB	13.0	14.0	15.56	3,000
28	28FHSY-RSM1-GAN-TB	13.5	14.5	16.06	3,000

### Material and Finish

Contact: Copper alloy, nickel-undercoated, gold-plated (nickel-stripe)  
 Cover: Heat resisting resin, UL94V-0  
 Housing: Heat resisting resin, UL94V-0  
 Solder tab: Copper alloy, copper-undercoated, tin-plated (reflow treatment)

**RoHS compliance** This product displays (LF)(SN) on a label.

## Lead section dimensions of FPC



Note: N --- Number of circuits

单击下面可查看定价，库存，交付和生命周期等信息

[>>JST\(杰世腾\)](#)