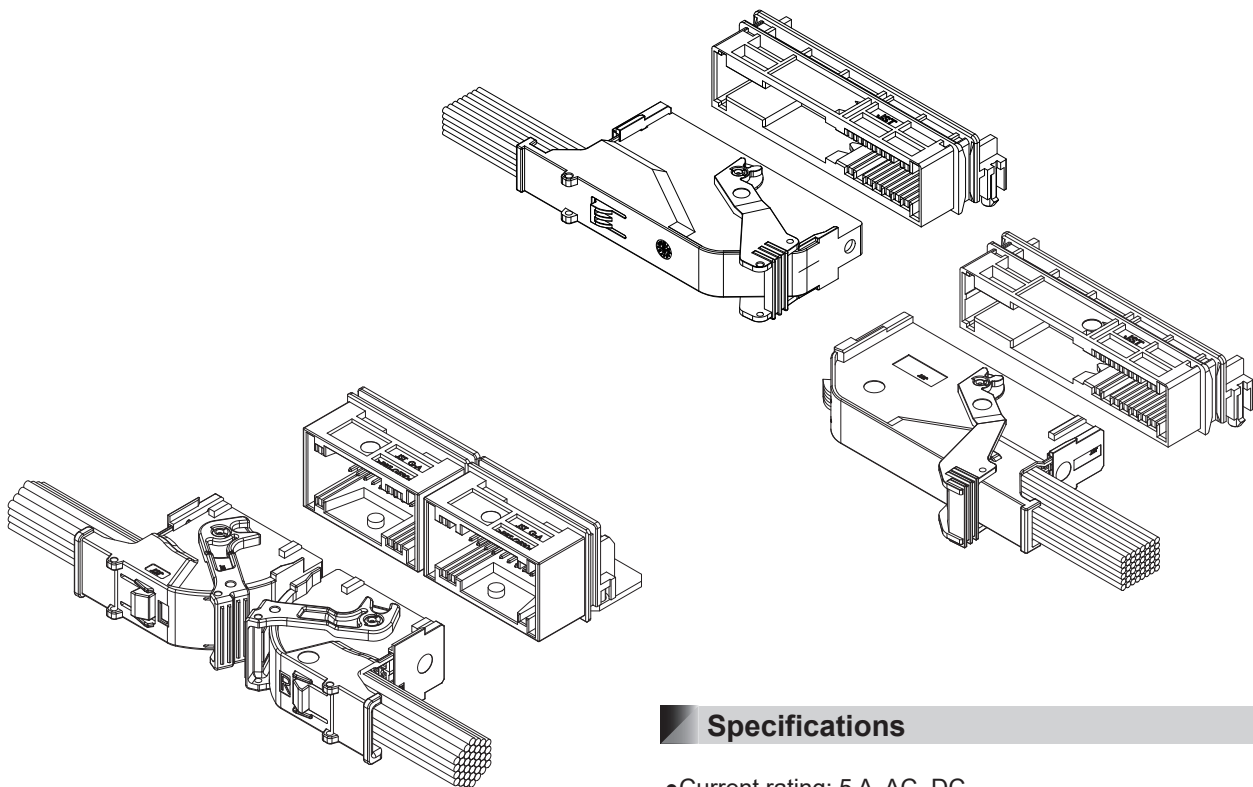


Realized low insertion force with lever mechanism. These connector have the variousable to color/ key/ pin arrange corresponding to needs, hance the connector type suitable can be selected.



### Features

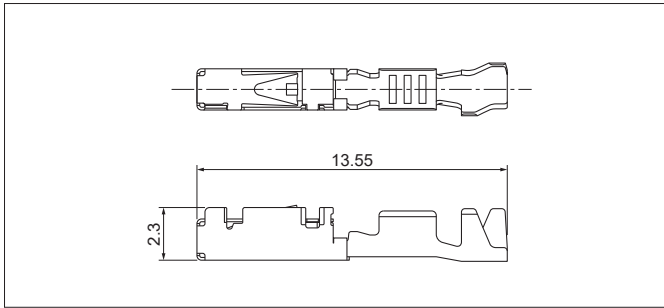
- **Variation**  
Various pin arrangement/ housing color/ key code/ harness direction selectable.
- **Terminal Construction**  
Four contact points and dual springs achieve high reliability.
- **Lever Mating**  
The lever mechanism is adopted to reduce the insertion force in mating male and female connector.

### Specifications

- Current rating: 5 A AC, DC
- Withstanding voltage: 1,000 VAC/minute
- Temperature range: -40°C to +85°C  
(including temperature rise in applying electrical current)
- Contact resistance: Initial value/ 15 mΩ max.  
After environmental tests/ 15 mΩ max.
- Insulation resistance: 100 MΩ min.
- Applicable wire: AVSS  
0.3 mm<sup>2</sup> to 0.5 mm<sup>2</sup>  
FLRY-A  
0.35 mm<sup>2</sup> to 0.5 mm<sup>2</sup>

\* Compliant with ELV/RoHS.  
details.

## Female terminal



Model No.	Applicable wire range		Q'ty/reel
	Conductor (mm <sup>2</sup> )	Insulation O.D. (mm)	
<b>SGIT-B021T-MS0.64</b>	0.35 to 0.5	1.4 to 1.7	9,000

### Material and Finish

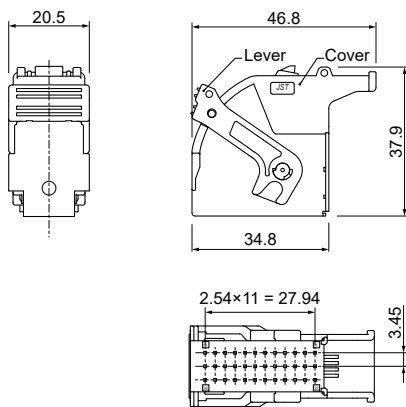
Terminal box: SUS

Terminal spring: Copper alloy, tin-plated

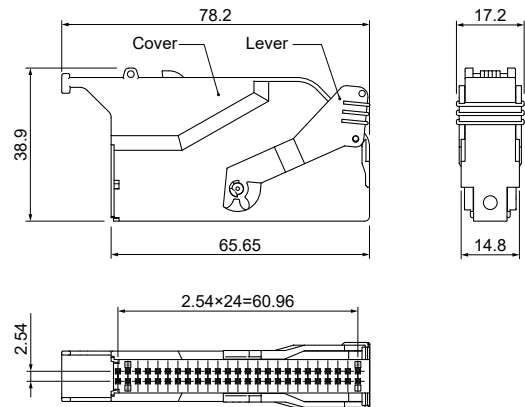
## Female connector

### Cover housing

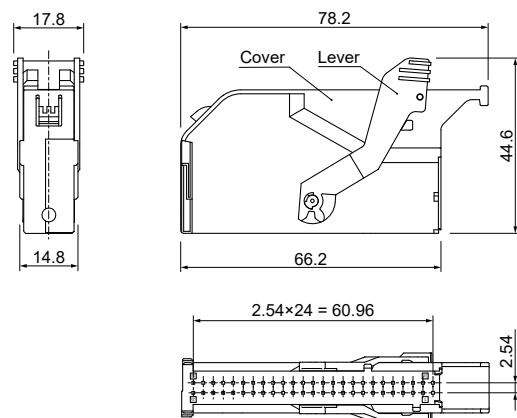
#### • 36GIT-CL-1A-( )-( ) ( )



#### • 50GIT-CL-1A-01( )-( ) Harness Left Direction



#### • 50GIT-CL-2A-37( )-( ) Harness Right Direction



Circuits	Model No.	Q'ty/box
36	<b>36GIT-CL-1A-( )-( ) ( )</b>	360
50	<b>50GIT-CL-1A-01( )-( )</b>	360
	<b>50GIT-CL-2A-37( )-( )</b>	360

### Material and Finish

Cover housing: Glass-filled PBT

Color: GIT 36P: Yellow, Orange, White (Left Direction)

Black (Right Direction)

GIT 50P: Yellow (Left Direction)

Orange (Right Direction)

Lever: Glass-filled PBT

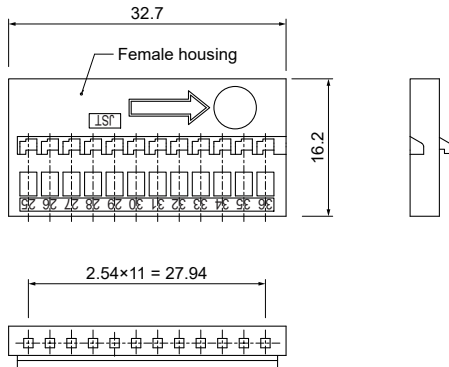
Color: GIT 36P: Black

GIT 50P: Gray, Green, Black

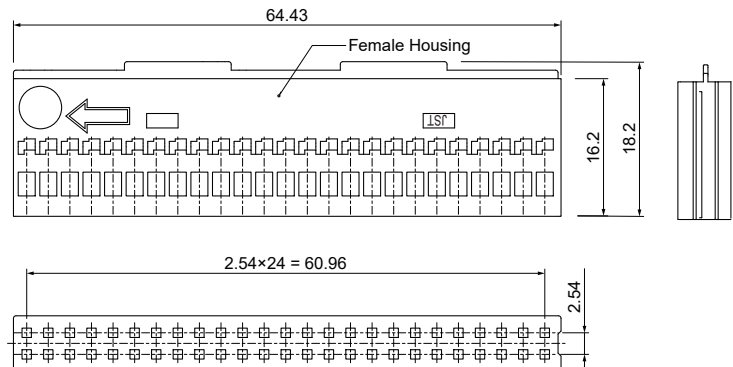
## Female connector

### Female housing

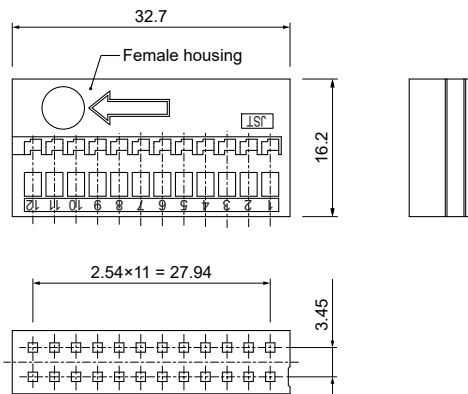
#### • GITR-12H-3(-)-K



#### • GITR-50H-(-)A-K



#### • GITR-24H-1(-)-K



Circuits	Model No.	Q'ty/box
36	<b>GITR-12H-3(-)-K</b>	1,500
	<b>GITR-24H-1(-)-K</b>	900
50	<b>GITR-50H-(-)A-K</b>	600

#### Material and Finish

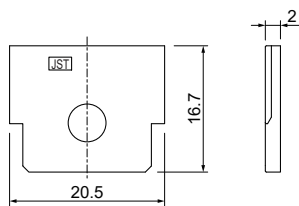
Housing: Glass-filled PBT, Black

Note: GITR-12H-3A-K: It is used in GIT 36 circuits Harness Left Direction.  
 GITR-12H-3B-K: It is used in GIT 36 circuits Harness Right Direction.  
 GITR-24H-1A-K: It is used in GIT 36 circuits Harness Left Direction.  
 GITR-24H-1B-K: It is used in GIT 36 circuits Harness Right Direction.

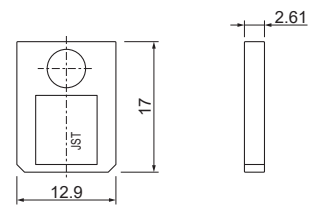
GITR-50H-1A-K: It is used in GIT 50 circuits Harness Left Direction.  
 GITR-50H-2A-K: It is used in GIT 50 circuits Harness Right Direction.

### Slide cover

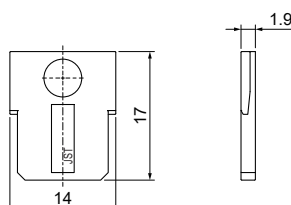
#### • GITSL-H-4A-K



#### • GITSL-H-2A-K



#### • GITSL-H-3A-K



Circuits	Model No.	Q'ty/box
36	<b>GITSL-H-4A-K</b>	400
50	<b>GITSL-H-2A-K</b>	500
	<b>GITSL-H-3A-K</b>	500

#### Material and Finish

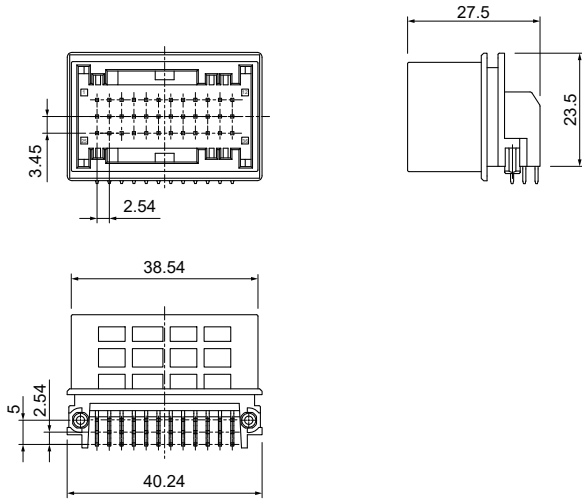
Housing: Glass-filled PBT, Black

Note: GITSL-H-4A-K for GIT 36 circuits is available for both directions.  
 GITSL-H-2A-K is used in GIT 50 circuits Harness Left Direction.  
 GITSL-H-3A-K is used in GIT 50 circuits Harness Right Direction.

## Male connector

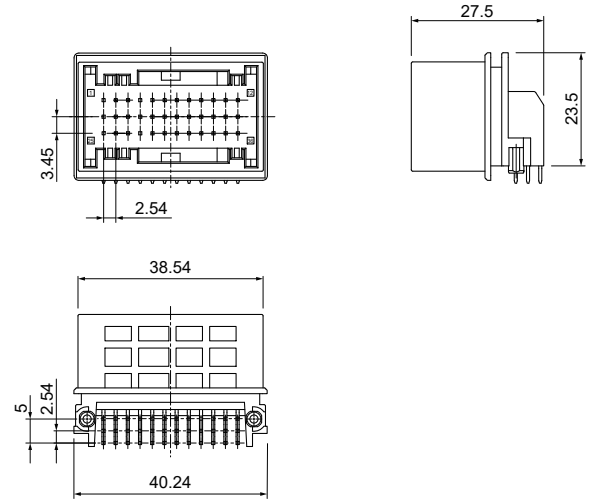
### Harness Left Direction

- S36B-GIT( )-2A-( )L
- S24(36)B-GIT( )-2A-( )L

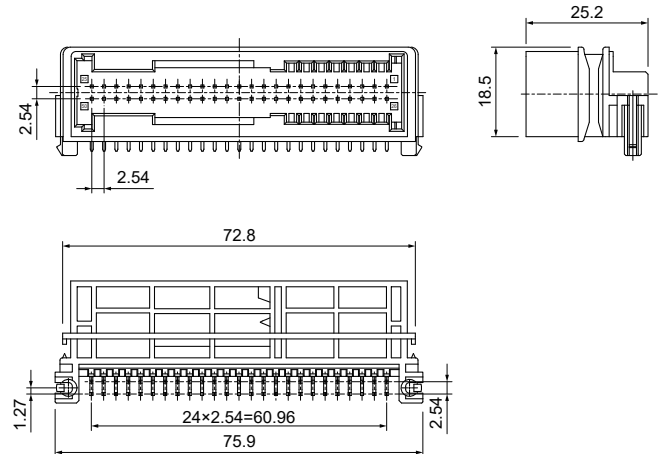


### Harness Right Direction

- S36B-GIT( )-2A-( )R
- S24(36)B-GIT( )-2A-( )R



- S( )(50)B-GIT03-2C-( )



Circuits	Model No.	Q'ty/box
36	S36B-GIT( )-2A-( )( )	180
	S24(36)B-GIT( )-2A-( )( )	180
50	S( )(50)B-GIT03-2C-( )	192

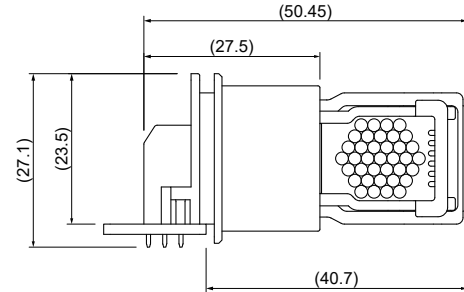
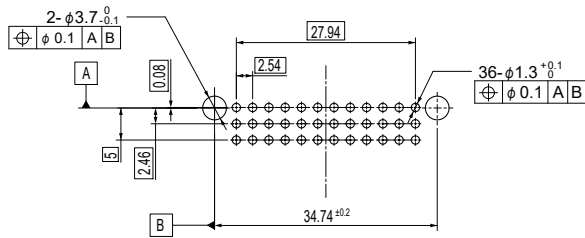
#### Material and Finish

Housing: Glass-filled PBT, Black

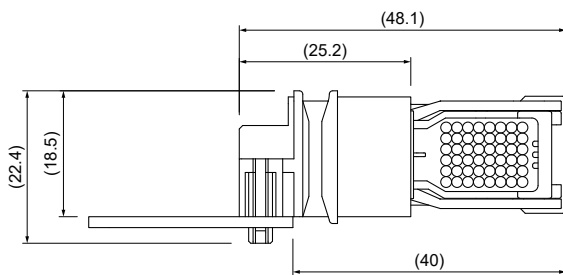
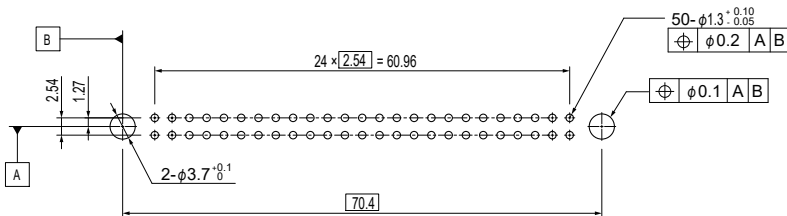
Terminal: Copper alloy, nickel-undercoated, tin-plated

## PC board layout, Assembly layout

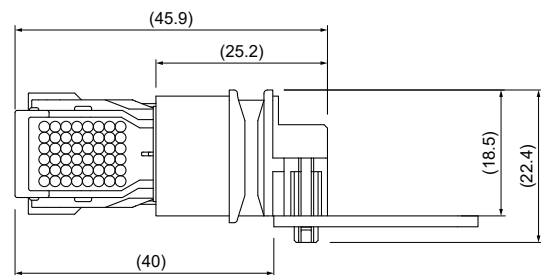
### • 36 circuits



### • 50 circuits



Harness Left Direction



Harness Right Direction

## Crimping machine, Applicator

Strip terminal	Crimping machine	Crimp applicator MKS-L	
		Dies	Crimp applicator with dies
<b>SGIT-B021T-MS0.64</b>	AP-K2N	MK/SGIT-B021-064	APLMK SGIT-B021-064

Note: When crimping operation is conducted using an applicator and die set other than the above, JST cannot guarantee the performance of the terminal.

单击下面可查看定价，库存，交付和生命周期等信息

[>>JST\(杰世腾\)](#)