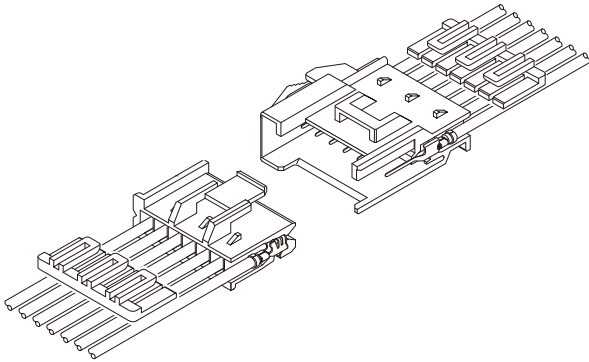


XM CONNECTOR

2.5mm pitch/Crimp style wire-to-wire connectors



The retainer provides added protection against non-insertion or disconnection.

- Inner-housing lock
- Secondary retainers
- Housing lance
- Mountable on a variety of panels
- Contacts smoothly insert into the housings without colliding with internal obstacles

Specifications

- Current rating: 3A AC, DC max.
- Voltage rating: 250V AC, DC max.
- Temperature range: -25°C to +85°C
(including temperature rise in applying electrical current)
- Contact resistance: Initial value/10m Ω max.
After environmental testing/20m Ω max.
- Insulation resistance: 500M Ω min.
- Withstanding voltage: 1,500V AC/minute
- Applicable wire: AWG #28 to #20
0.08 to 0.50mm²
- Applicable panel thickness: 0.5 to 1.8mm
- * Compliant with RoHS.
- * Refer to "General Instruction and Notice when using Terminals and Connectors" at the end of this catalog.
- * Contact JST for details.

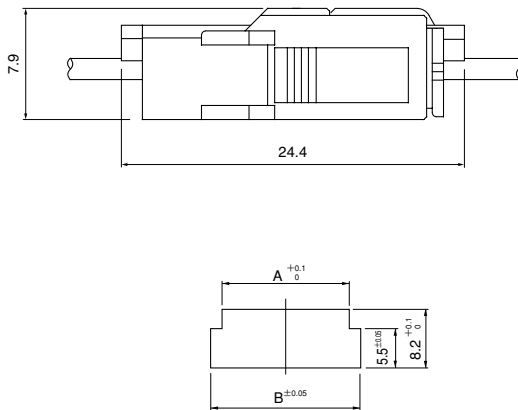
Standards

Recognized E60389

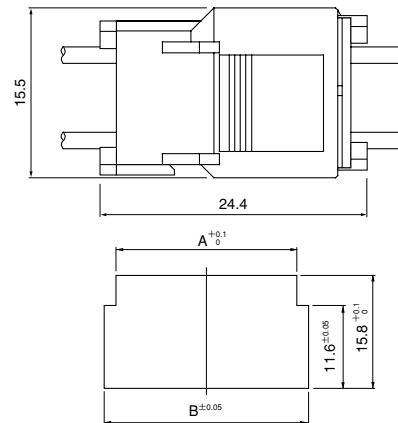
Certified LR20812

Panel Layout and Assembly layout

(2 to 12 circuits)



(18 circuits)



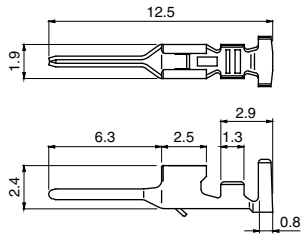
| Circuits | Receptacle housing | Panel hole dimensions (mm) | | General tolerance | Applicable panel thickness (mm) |
|----------|--------------------|----------------------------|--------------------|-------------------|---------------------------------|
| | | A ^{+0.1/0} | B ^{±0.05} | | |
| 2 | XMR-02V | 9.3 | 12.6 | 0.5~1.8 | |
| 3 | XMR-03V | 10.3 | 13.6 | | |
| 4 | XMR-04V | 12.8 | 16.1 | | |
| 5 | XMR-05V | 15.3 | 18.6 | | |
| 6 | XMR-06V | 17.8 | 21.1 | | |
| 7 | XMR-07V | 20.3 | 23.6 | | |
| 8 | XMR-08V | 22.8 | 26.1 | | |
| 9 | XMR-09V | 25.3 | 28.6 | | |
| 10 | XMR-10V | 27.8 | 31.1 | | |
| 11 | XMR-11V | 30.3 | 33.6 | | |
| 12 | XMR-12V | 32.8 | 36.1 | | |
| 18 | XMR-18V | 25.3 | 28.6 | | |

Note: 1. Punch holes in the panel according to the sketch and table shown above. Burrs must be removed.
2. The strength of the panel must be considered when punching two or more holes.
3. The connector must be inserted from the same side as the hole is punched.

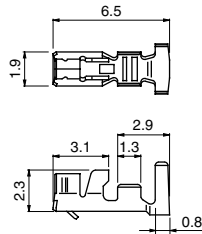
XM CONNECTOR

Contact

Pin contact



Socket contact



| Model No. | | Applicable wire | | Insulation O.D. (mm) | Q'ty / reel | |
|----------------------|-----------------------|-----------------|-------|----------------------|-------------|----------------|
| Pin contact | Socket contact | mm ² | AWG # | | Pin contact | Socket contact |
| SXM-001T-P0.6 | SXA-001T-P0.6 | 0.08~0.33 | 28~22 | 0.8~1.9 | 7,000 | 8,000 |
| *SXM-01T-P0.6 | SXA-01T-P0.6 | 0.22~0.50 | 24~20 | 1.5~1.9 | 7,000 | 8,000 |
| — | SXA-001T-P0.6L | 0.13~0.33 | 26~22 | 1.3~1.9 | — | 8,000 |

Material and Finish

Phosphor bronze, tin-plated (reflow treatment)

RoHS compliance

Note: 1. Contact JST for special products.

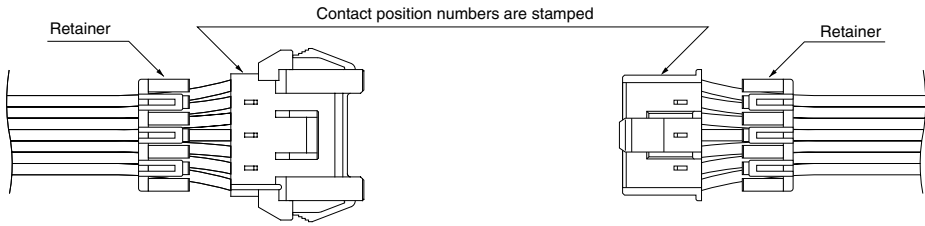
2. *Marked product is not UL/CSA approved.

| Contact | Crimping machine | Applicator | | |
|----------------------|------------------|------------------|-----------------|----------------------------|
| | | Crimp applicator | Dies | Crimp applicator with dies |
| SXM-001T-P0.6 | AP-K2N | MKS-L | MK/SXA/M-001-06 | APLMK SXA/M001-06 |
| | | *MKS-SC | SC/SXA/M-001-06 | APLSC SXA/M001-06 |
| SXM-01T-P0.6 | | MKS-L | MK/SXA/M-01-06 | APLMK SXA/M01-06 |
| | | *MKS-SC | SC/SXA/M-01-06 | APLSC SXA/M01-06 |

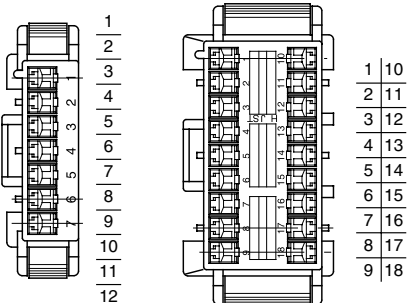
Note: *Strip-crimp applicator

| Contact | Crimping machine | Applicator | | |
|-----------------------|------------------|------------------|------------------|----------------------------|
| | | Crimp applicator | Dies | Crimp applicator with dies |
| SXA-001T-P0.6 | AP-K2N | MKS-L | MK/SXA/M-001-06 | APLMK SXA/M001-06 |
| | | *MKS-SC | SC/SXA/M-001-06 | APLSC SXA/M001-06 |
| SXA-01T-P0.6 | | MKS-L | MK/SXA/M-01-06 | APLMK SXA/M01-06 |
| | | *MKS-SC | SC/SXA/M-01-06 | APLSC SXA/M01-06 |
| SXA-001T-P0.6L | MKS-L | MK/SXA-001-06L | APLMK SXA001-06L | |
| | *MKS-SC | SC/SXA-001-06L | APLSC SXA001-06L | |

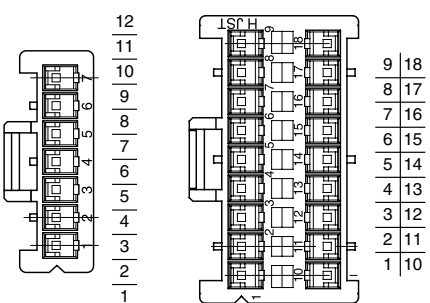
Contact position location numbers



Receptacle housing

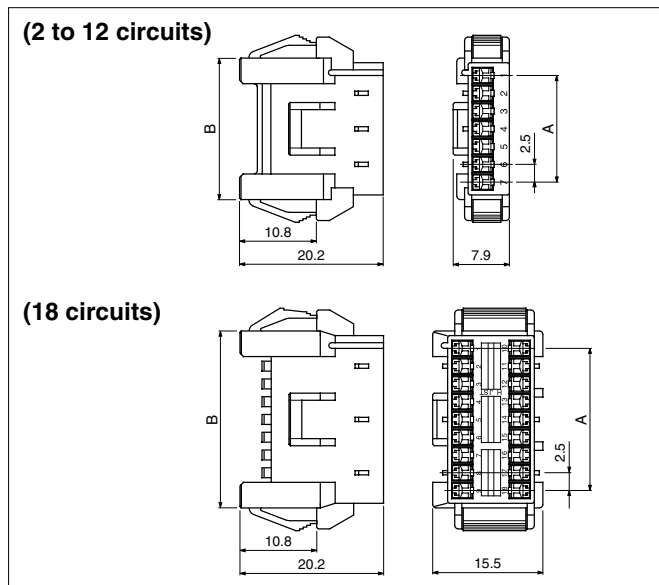


Plug housing



XM CONNECTOR

Receptacle housing (for Pin contact)



| Circuits | Model No. | Dimensions (mm) | | Q'ty / bag |
|----------|----------------|-----------------|------|------------|
| | | A | B | |
| 2 | XMR-02V | 2.5 | 8.9 | 1,000 |
| 3 | XMR-03V | 5.0 | 9.9 | 1,000 |
| 4 | XMR-04V | 7.5 | 12.4 | 500 |
| 5 | XMR-05V | 10.0 | 14.9 | 500 |
| 6 | XMR-06V | 12.5 | 17.4 | 500 |
| 7 | XMR-07V | 15.0 | 19.9 | 500 |
| 8 | XMR-08V | 17.5 | 22.4 | 500 |
| 9 | XMR-09V | 20.0 | 24.9 | 500 |
| 10 | XMR-10V | 22.5 | 27.4 | 500 |
| 11 | XMR-11V | 25.0 | 29.9 | 500 |
| 12 | XMR-12V | 27.5 | 32.4 | 500 |
| 18 | XMR-18V | 20.0 | 24.9 | 500 |

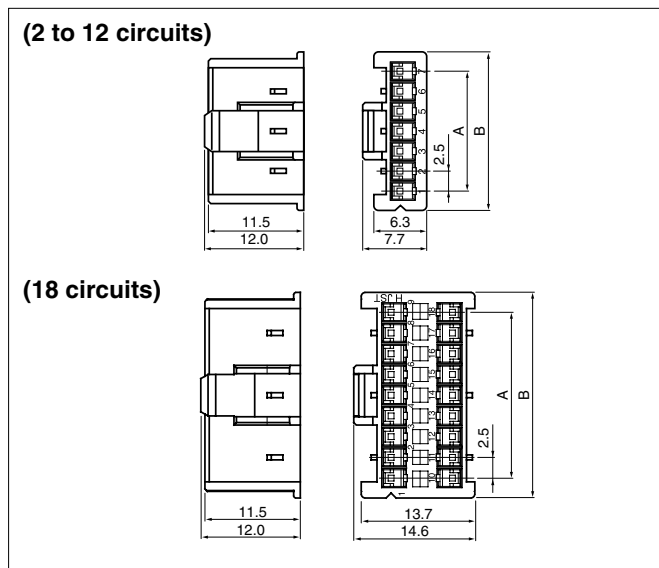
Material

PA 66, UL94V-0

RoHS compliance

Note: Receptacle housings without panel lock device are also available for 2, 3, 4, 6, 7, 8 and 9 circuits.

Plug housing (for Socket contact)



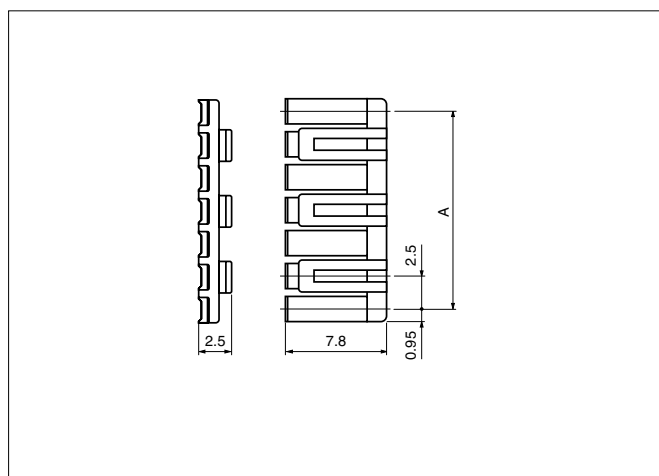
| Circuits | Model No. | Dimensions (mm) | | Q'ty / bag |
|----------|----------------|-----------------|------|------------|
| | | A | B | |
| 2 | XMP-02V | 2.5 | 8.8 | 1,000 |
| 3 | XMP-03V | 5.0 | 9.8 | 1,000 |
| 4 | XMP-04V | 7.5 | 12.3 | 1,000 |
| 5 | XMP-05V | 10.0 | 14.8 | 500 |
| 6 | XMP-06V | 12.5 | 17.3 | 500 |
| 7 | XMP-07V | 15.0 | 19.8 | 500 |
| 8 | XMP-08V | 17.5 | 22.3 | 500 |
| 9 | XMP-09V | 20.0 | 24.8 | 500 |
| 10 | XMP-10V | 22.5 | 27.3 | 500 |
| 11 | XMP-11V | 25.0 | 29.8 | 500 |
| 12 | XMP-12V | 27.5 | 32.3 | 500 |
| 18 | XMP-18V | 20.0 | 24.8 | 500 |

Material

PA 66, UL94V-0

RoHS compliance

Retainer



| Circuits | Model No. | Dimensions A (mm) | Q'ty / bag |
|----------|----------------|-------------------|------------|
| 2 | XMS-02V | 2.5 | 1,000 |
| 3 | XMS-03V | 5.0 | 1,000 |
| 4 | XMS-04V | 7.5 | 1,000 |
| 5 | XMS-05V | 10.0 | 1,000 |
| 6 | XMS-06V | 12.5 | 1,000 |
| 7 | XMS-07V | 15.0 | 1,000 |
| 8 | XMS-08V | 17.5 | 1,000 |
| 9 - 18 | XMS-09V | 20.0 | 1,000 |
| 10 | XMS-10V | 22.5 | 1,000 |
| 11 | XMS-11V | 25.0 | 1,000 |
| 12 | XMS-12V | 27.5 | 1,000 |

Material

Glass-filled PA 66, UL94V-0

RoHS compliance

Note: Commonly used for 9-circuit and 18-circuit housings.

单击下面可查看定价，库存，交付和生命周期等信息

[>>JST\(杰世腾\)](#)