

# CPT CONNECTOR

## Board-to-wire

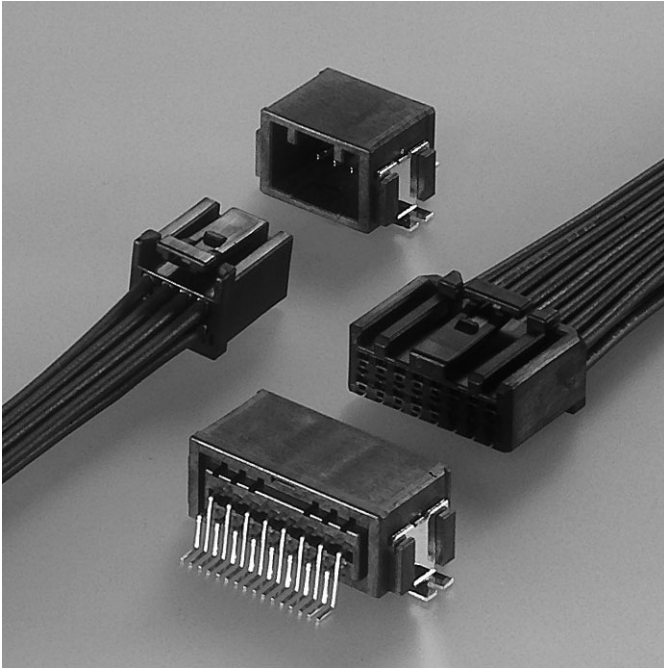
### Features

#### ● Compact design

2.0mm pitch is realized miniaturization and low profile as the connector for automobile.

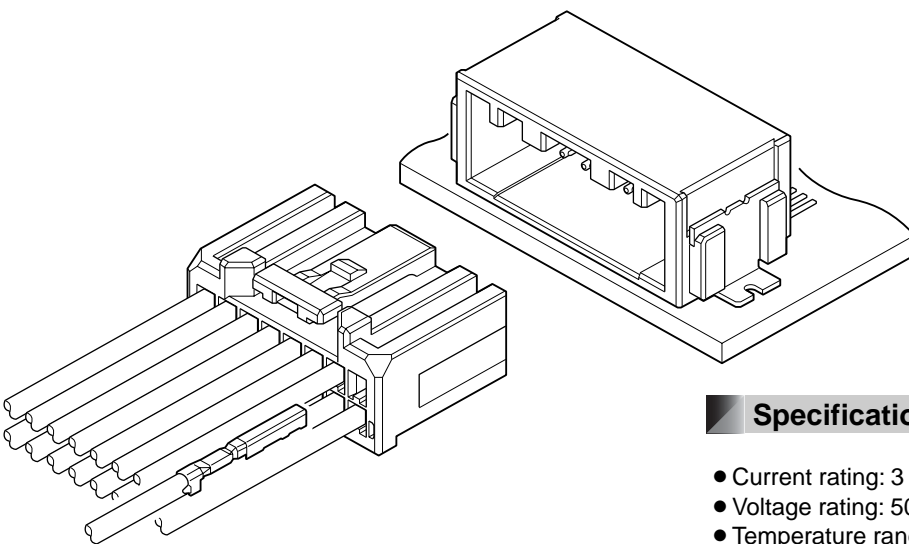
#### ● Terminal construction

Female terminal is designed for simple box structure by having spring structure on male terminal.



Developed in pursuit of miniaturization and low profile as PC board connector for automobile.

This connector is surface mounting type connector having the spring structure on male terminal disproving the conventional concept.

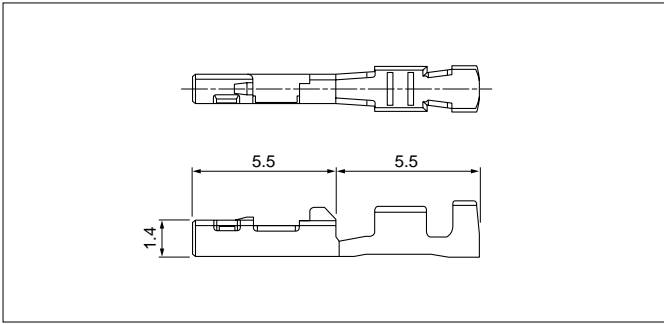


### Specifications

- Current rating: 3 A AC, DC (0.3mm<sup>2</sup>, Single circuit)
- Voltage rating: 50 V AC, DC
- Temperature range: -40°C to +100°C  
(including temperature rise in applying electrical current)
- Contact resistance: Initial value/ 8 mΩ max.  
After environmental tests/ 16 mΩ max.
- Insulation resistance: 100 MΩ min.
- Withstanding voltage: 1,000 VAC/minute
- Applicable wire: AESX-f/ AVSS  
0.3 mm<sup>2</sup>

- \* Compliant with ELV/RoHS.
- \* Contact JST for details.

## Female terminal



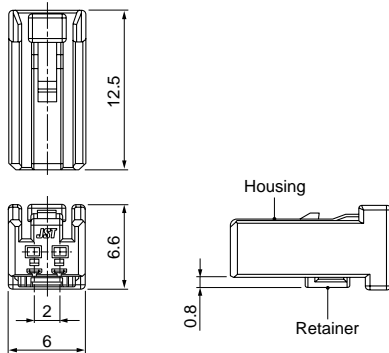
Model No.	Applicable wire range		Q'ty/reel
	Conductor (mm <sup>2</sup> )	Insulation O.D. (mm)	
<b>SCPT-A021GF-0.5</b>	0.3	1.4	15,000

Material and Finish
Brass, nickel-undercoated, Contact area; gold-plated Barrel area; tin-plated

## Female connector

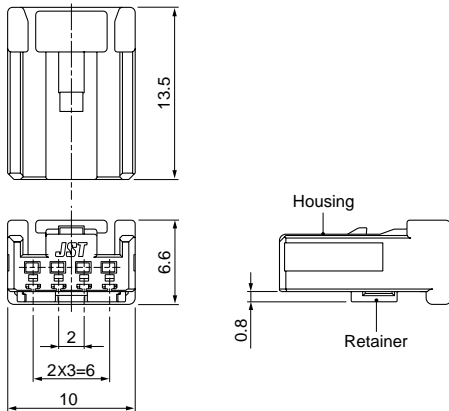
### Single row

#### • 2 circuits

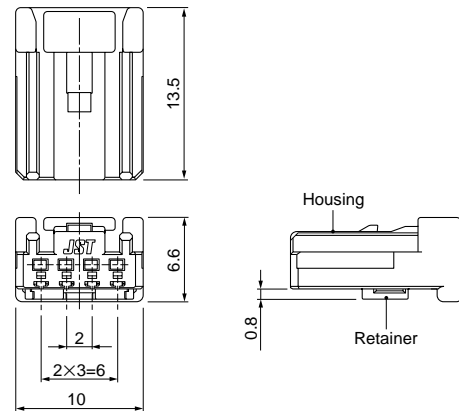


#### • 4 circuits

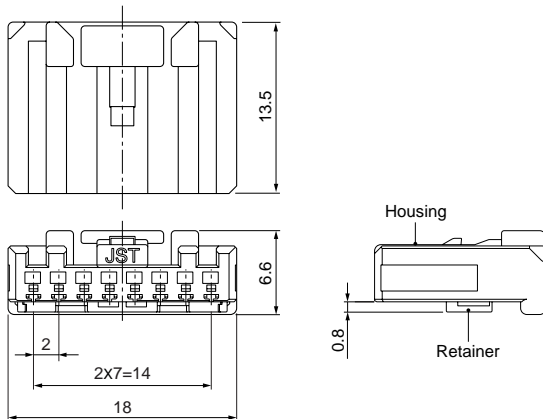
##### 04CPT-B1-2A



##### 04CPT-B1-2B



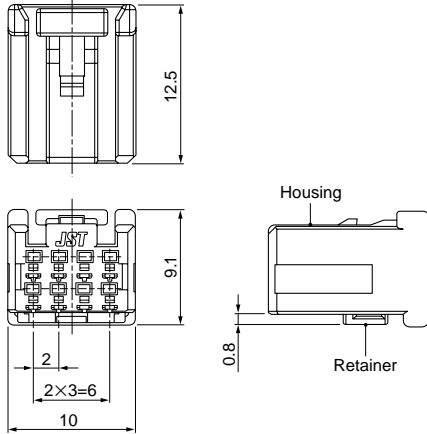
#### • 8 circuits



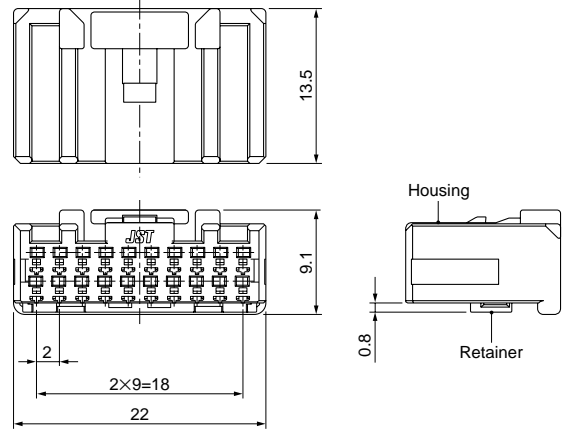
## Female connector

### Double row

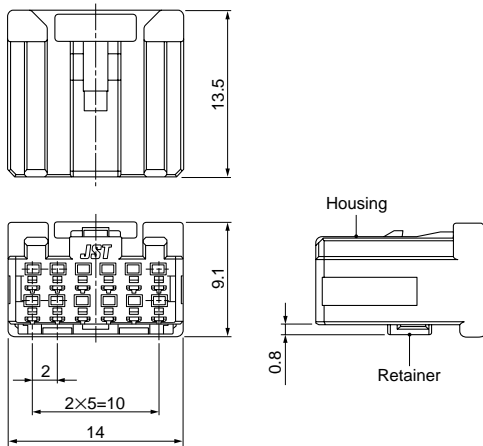
#### • 8 circuits



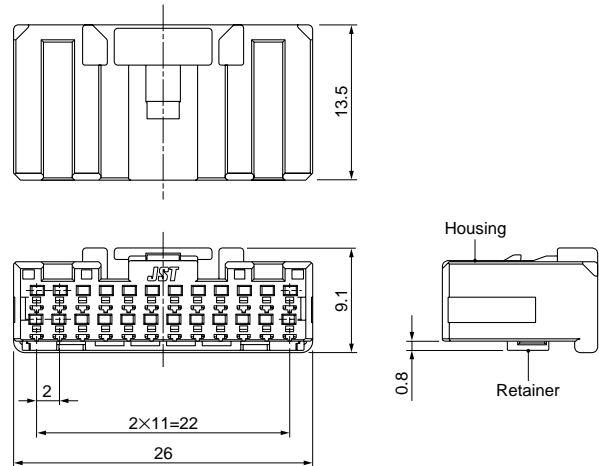
#### • 20 circuits



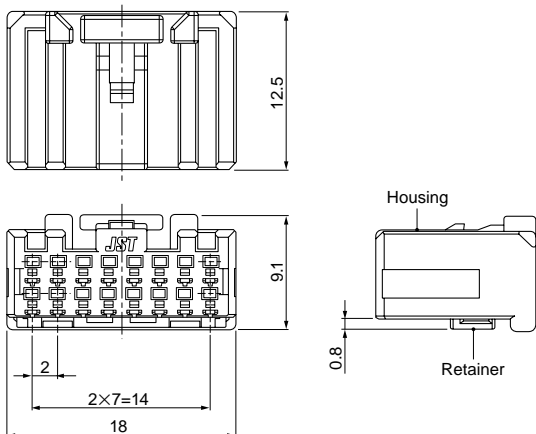
#### • 12 circuits



#### • 24 circuits



#### • 16 circuits



Type	Circuits	Model No.	Q'ty/box
Single row	2	<b>02CPT-B-2A</b>	500
	4	<b>04CPT-B1-2A</b>	600
		<b>04CPT-B1-2B</b>	
Double row	8	<b>08CPT-B1-2A</b>	400
	8	<b>08CPT-B-2A</b>	500
	12	<b>12CPT-B-2A</b>	300
	16	<b>16CPT-B-2A</b>	250
	20	<b>20CPT-B-2A</b>	250
	24	<b>24CPT-B-2A</b>	200

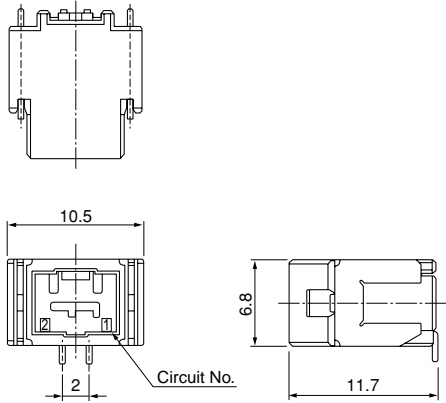
#### Material

Housing: Glass-filled PBT, black  
 Retainer: Glass-filled PBT, blue

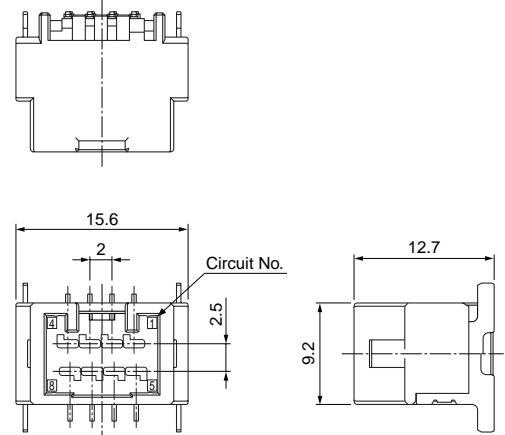
## Male connector

### Top entry type

Single row  
● 2 circuits

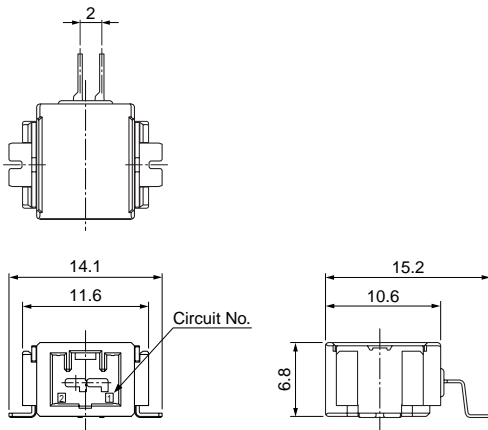


Double row  
● 8 circuits



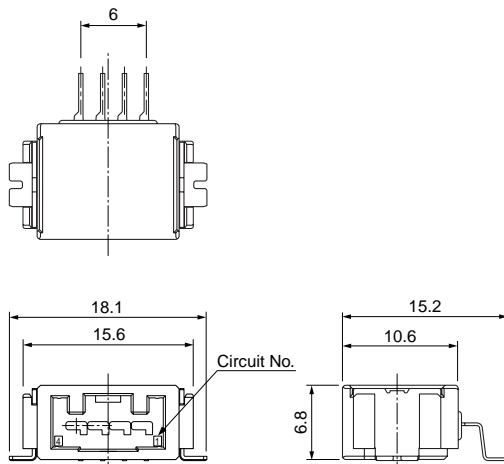
### Side entry type

Single row  
● 2 circuits

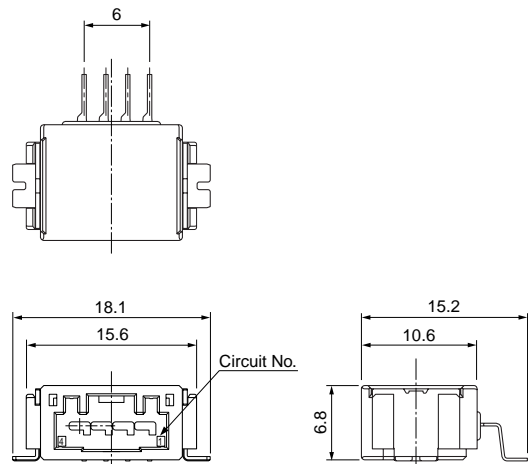


● 4 circuits

SM04B1-CPTK-1A-TB



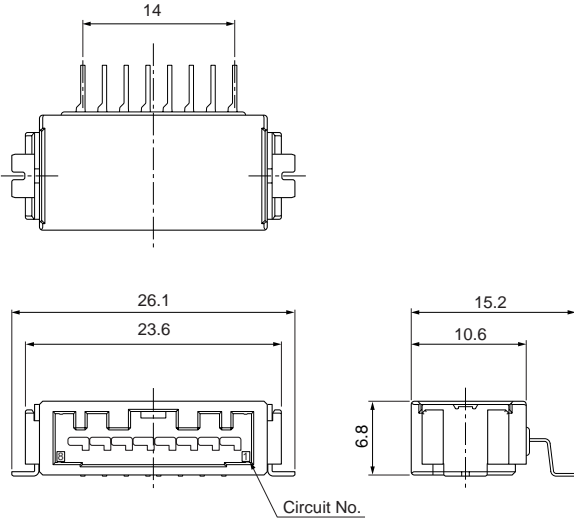
SM04B1-CPTK-1B-TB



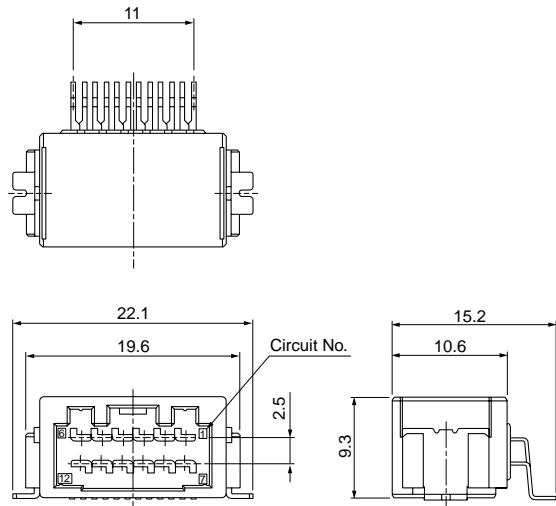
## Male connector

### Side entry type Single row

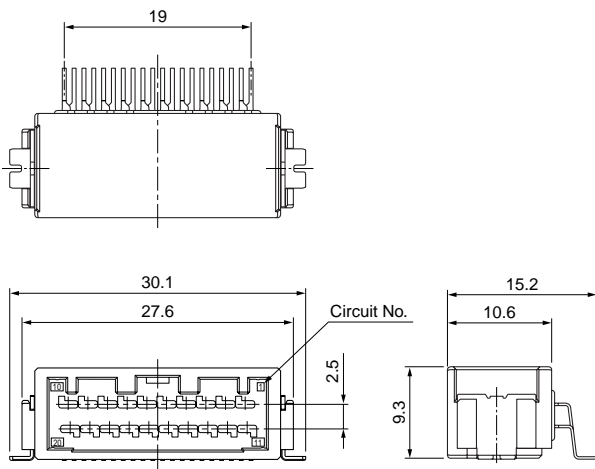
#### • 8 circuits



#### • 12 circuits



#### • 20 circuits

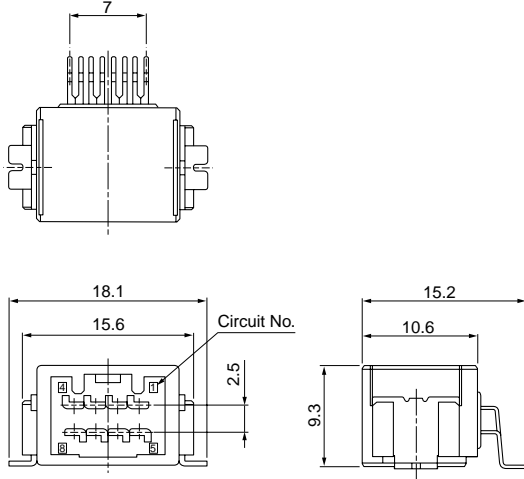


## Male connector

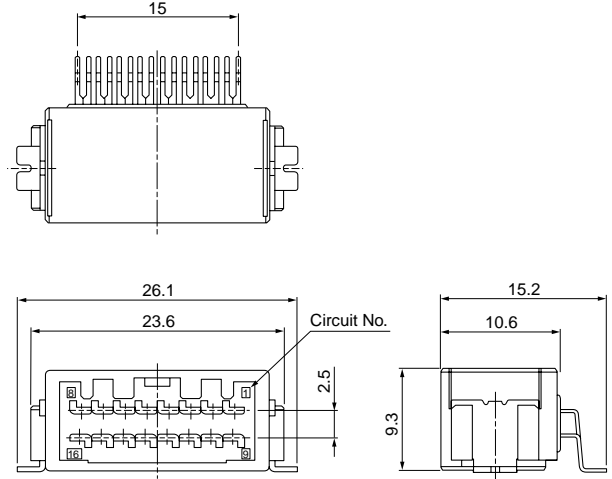
### Side entry type

#### Double row

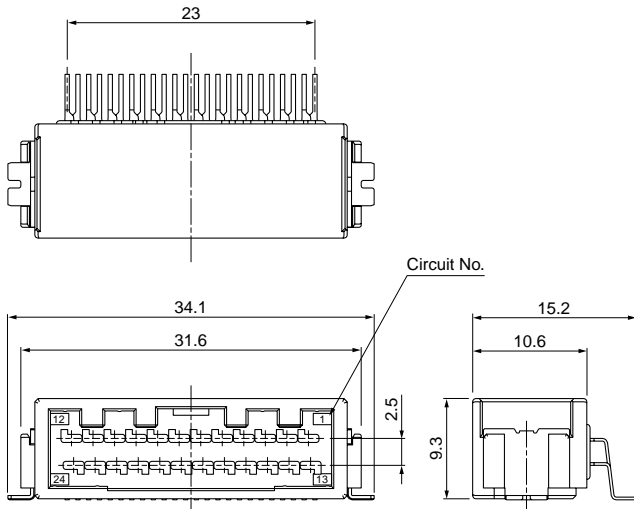
##### • 8 circuits



##### • 16 circuits



##### • 24 circuits



Type	Circuits	Model No.	Q'ty/reel
Top type	2 (Single)	<b>BM02B-CPTK-1A-TB</b>	370
	8 (Double)	<b>BM08B-CPTK-1A-TB</b>	240
Side type	2 (Single)	<b>SM02B-CPTK-1A-TB</b>	500
	4 (Single)	<b>SM04B1-CPTK-1A-TB</b>	500
		<b>SM04B1-CPTK-1B-TB</b>	
	8 (Single)	<b>SM08B1-CPTK-1A-TB</b>	500
	8 (Double)	<b>SM08B-CPTK-1A-TB</b>	390
	12 (Double)	<b>SM12B-CPTK-1A-TB</b>	390
	16 (Double)	<b>SM16B-CPTK-1A-TB</b>	390
	20 (Double)	<b>SM20B-CPTK-1A-TB</b>	390
24 (Double)	<b>SM24B-CPTK-1A-TB</b>	390	

#### Material and Finish

Terminal: Copper alloy, nickel-undercoated,  
Contact area; gold-plated  
Solder tail; tin-plated (reflow treatment)

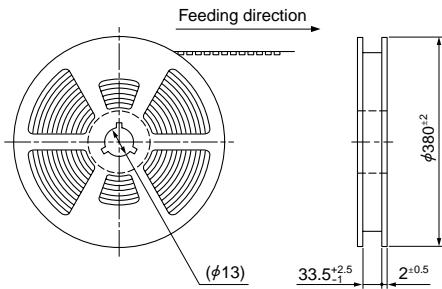
Housing: Glass-filled LCP, black

Peg: Brass, nickel-undercoated, tin-plated (reflow treatment)

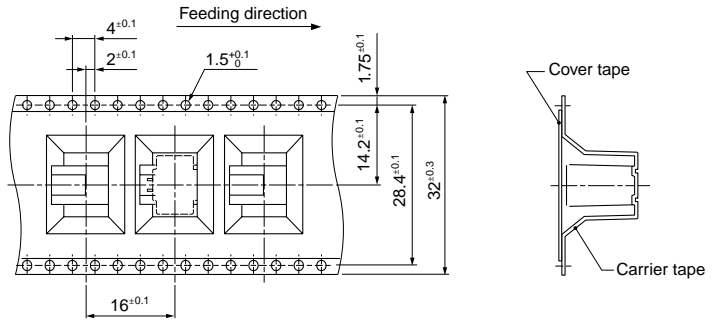
## Taping Specifications

### Top entry type

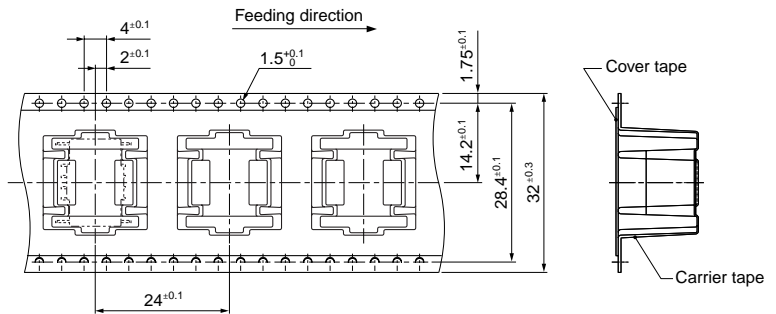
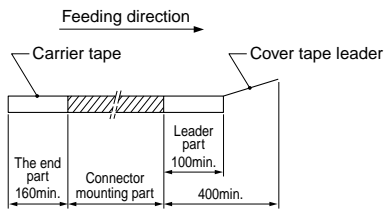
#### • 2, 8 circuits



#### • 2 circuits

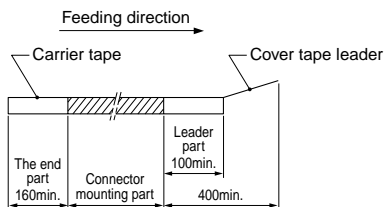
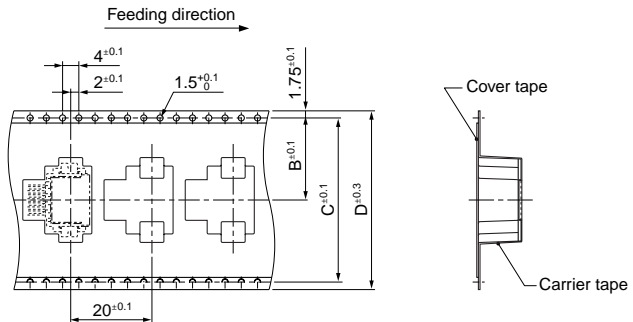
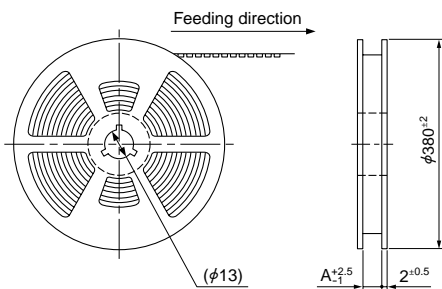


#### • 8 circuits



### Side entry type

#### • 2, 4, 8, 12, 16, 20, 24 circuits

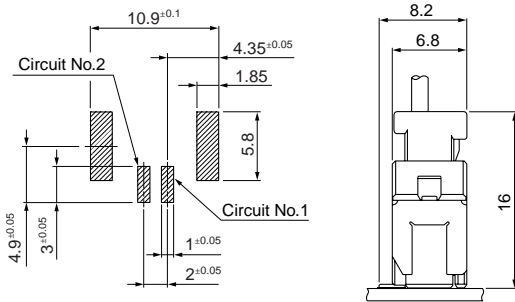


Type	Circuits	A	B	C	D
Single	2	33.5	14.2	28.4	32
	4	33.5	14.2	28.4	32
	8	45.5	20.2	40.4	44
Double	8	45.5	20.2	40.4	44
	12	45.5	20.2	40.4	44
	16	45.5	20.2	40.4	44
	20	45.5	20.2	40.4	44
	24	57.5	26.2	52.4	56

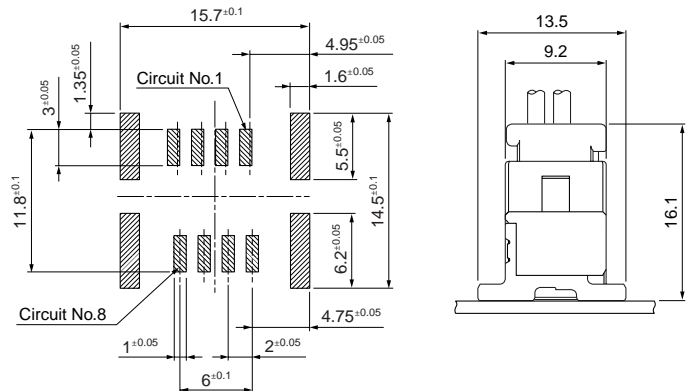
## PC board layout, Assembly layout

### Top entry type

#### ● 2 circuits

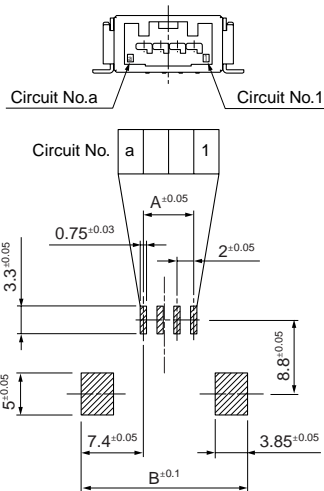


#### ● 8 circuits



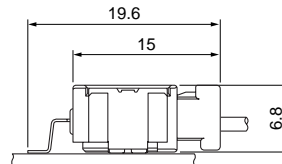
### Side entry type

#### ● 2, 4, 8 (Single) circuits

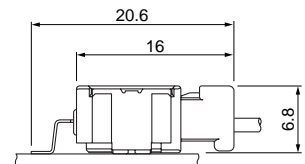


Circuits	A	B
2	2	15.8
4	6	19.8
8 (Single)	14	27.8

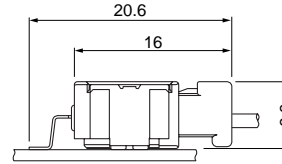
#### ● 2 circuits



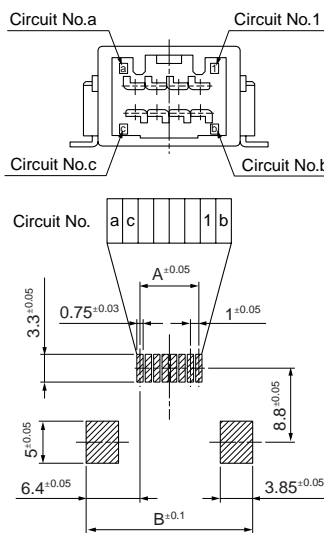
#### ● 4 circuits



#### ● 8 (Single) circuits

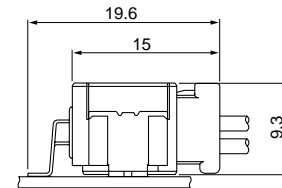


#### ● 8 (Double), 12, 16, 20, 24 circuits

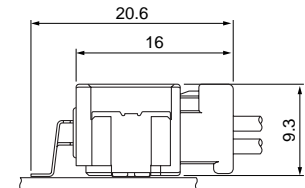


Circuits	A	B
8 (Double)	7	19.8
12	11	23.8
16	15	27.8
20	19	31.8
24	23	35.8

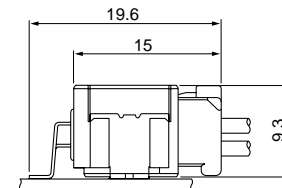
#### ● 8 (Double) circuits



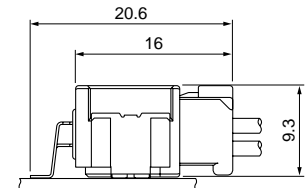
#### ● 12 circuits



#### ● 16 circuits



#### ● 20, 24 circuits



Note: 1. Tolerances are non-cumulative: ±0.05mm for all centers.  
2. The dimensions above should serve as guideline. Contact JST for details.

## Crimping machine, Applicator

Strip terminal	Crimping machine	Crimp applicator MKS-L	
		Dies	Crimp applicator with dies
SCPT-A021GF-0.5	AP-K2N	MK/SCPT-A021-05	APLMK SCPT-A021-05

Note: When crimping operation is conducted using an applicator, JST cannot guarantee the performance of the terminal.



单击下面可查看定价，库存，交付和生命周期等信息

[>>JST\(杰世腾\)](#)