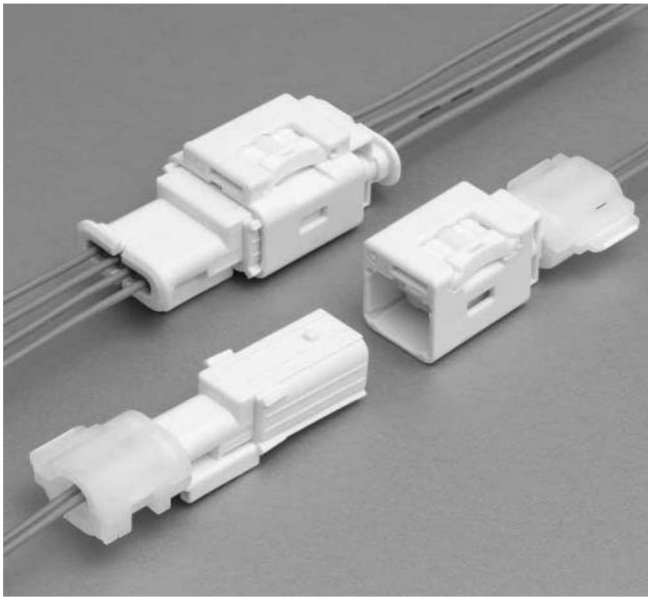
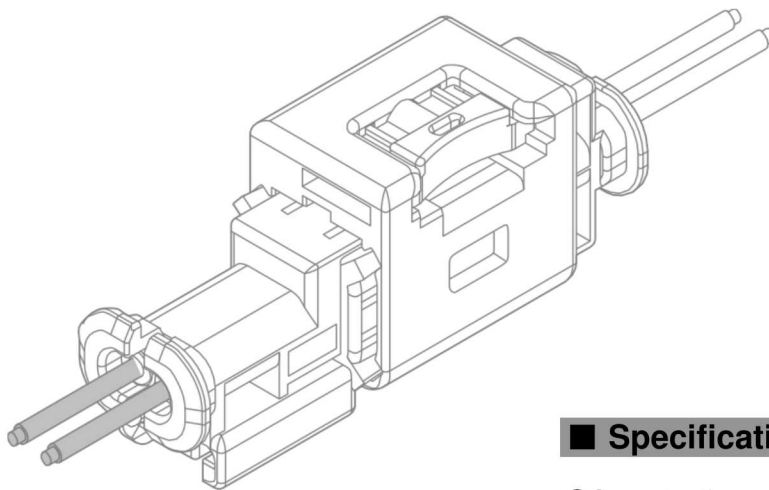


SABCONNECTOR

Wire-to-wire/Sealed connector



0.64 mm single sealed wire to wire connector with rigid design and spring lock mechanism. Spring force prevents half-mating during mating and keeps constant rigid connection between male and female connector. This connector has short terminal to prevent accidental electrical discharge.



■ Features

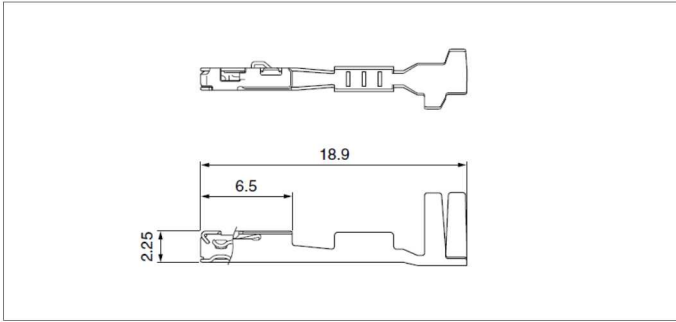
- **0.64 mm Single Sealed Connector**
- **Anti Vibration Mechanism**
High reliability rigid connector enables to keep higher durability at shock and vibrated environment.
- **Go / No-Go Mating system**
Compression spring prevents half-connecting.

■ Specifications

- Current rating : 5 A AC, DC max.
- Withstanding voltage: 1,000 VAC/minute
- Temperature range : -40°C to +120°C
(including temperature rise in applying electrical current)
(temperature range is different depending on wires)
- Contact resistance : Initial value/ 10 mΩ max.
After environmental tests/ 20 mΩ max.
- Insulation resistance : 100 MΩ min.
- Applicable wire : AVSS, AESSXF
0.3 mm², 0.5 mm²

*Compliant with ELV/RoHS2.
*Contact JST for details.

Female terminal

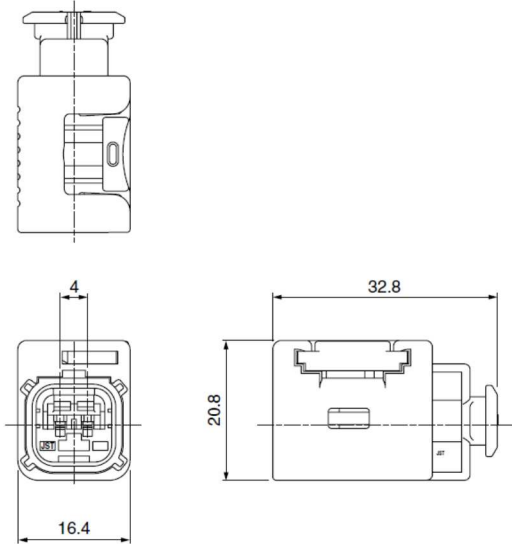


Model No.	Applicable wire range		Q'ty/reel
	Conductor (mm ²)	Insulation O.D. (mm)	
SAITS-A03GF-M064	0.5	1.6 to 1.7	3,500

Material and Finish			
Copper alloy, nickel-undercoated, Contact area; gold-plated Barrel area; tin-plated			

Female connector

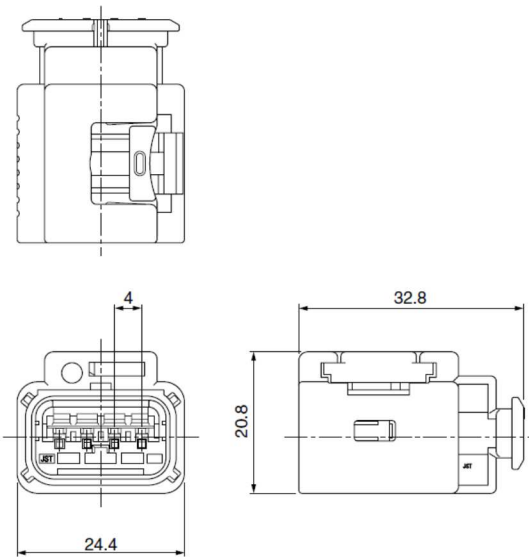
● 2 circuits



Circuits	Model No.	Housing Color	Q'ty/box
2	SABRB-02-1A-Y	Yellow	125
	SABRB-02-1A2-M	Green	
4	SABRB-04-1A-Y	Yellow	100
	SABRB-04-1SB-Y	Yellow	
	SABRB-04-4A-M	Green	

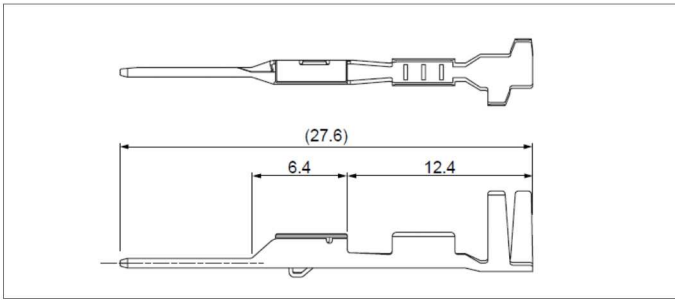
Material and Finish			
Housing: Glass-filled PBT Slider: Glass-filled PBT, Natural (White) Retainer: Glass-filled PBT, Natural (White) Spring: SUS Inner seal: Silicone			

● 4 circuits



SAB CONNECTOR

Male terminal



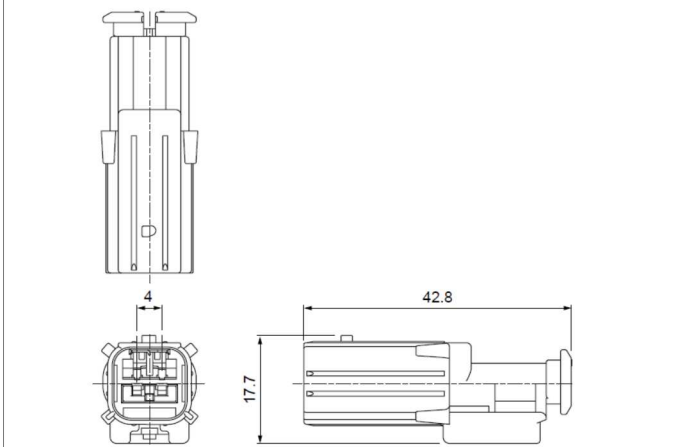
Model No.	Applicable wire range		Q'ty/reel
	Conductor (mm ²)	Insulation O.D. (mm)	
SAITWS-A03GF-064	0.5	1.6 to 1.7	3,500

Material and Finish

Brass, nickel-undercoated, Contact area; gold-plated
Barrel area; tin-plated

Male connector

● 2 circuits



Circuits	Model No.	Housing Color	Q'ty/box
2	SABPB-02-1A-Y	Yellow	125
	SABPB-02-2B-Y		
	SABPB-02-1A2-M	Green	
	SABPB-02-3B2-M		
4	SABPB-04-1A-Y	Yellow	100

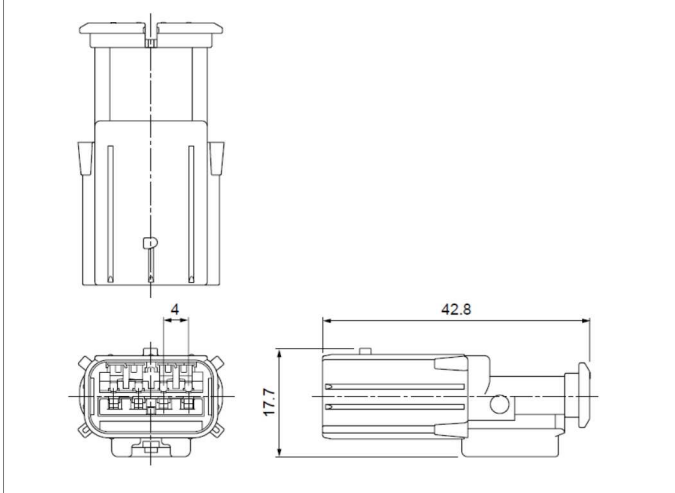
Material and Finish

Housing: Glass-filled PBT, PA

Retainer: Glass-filled PBT, Natural (White)

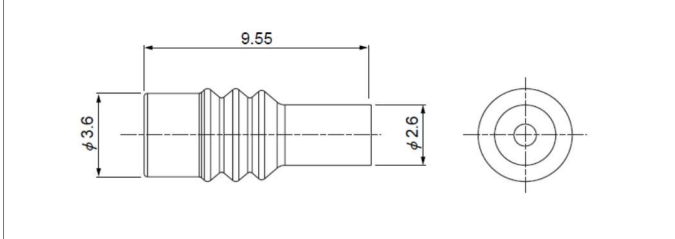
Short terminal: Copper alloy, nickel-undercoated, Contact area; gold-plated

● 4 circuits



Wire seal

● 2, 4 circuits



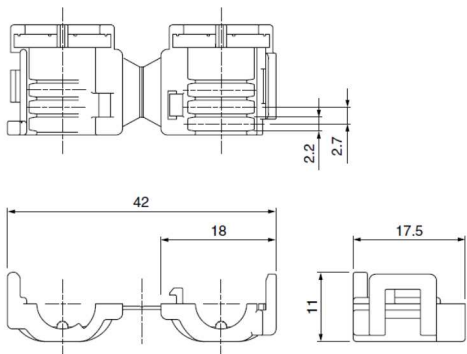
Model No.	Applicable wire range		Q'ty/box
	Conductor (mm ²)	Insulation O.D. (mm)	
A03WS-SAB-N	0.5	1.6 to 1.7	10,000

Material and Finish

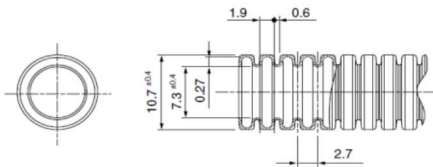
Silicone

Cover

● **2 circuits**



Recommended corrugate tube layout

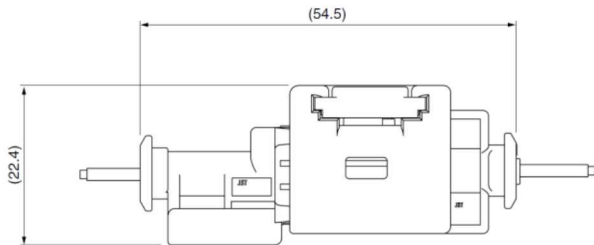


Model No.	Q'ty/box
Note) SABC-02-1A-W	200
Material and Finish	
PP, Natural (White)	

Note : Cover is applicable only for 2 circuits.

Assembly layout

● **2, 4 circuits**



Crimping machine, Applicator

Strip terminal	Crimping machine	Crimp applicator MKS-L	
		Dies	Crimp applicator with dies
SAITS-A03GF-M64	AP-K2N	MK/SAITS-A03-064	APLMK SAITS-A03-064
SAITWS-A03GF-064		MK/SAITWS-A03-064	APLMK SAITWS-A03-064

Note: When crimping operation is conducted using an applicator and die set other than the above, JST cannot guarantee the performance of the terminal.

单击下面可查看定价，库存，交付和生命周期等信息

[>>JST\(杰世腾\)](#)