

BMSC CONNECTOR

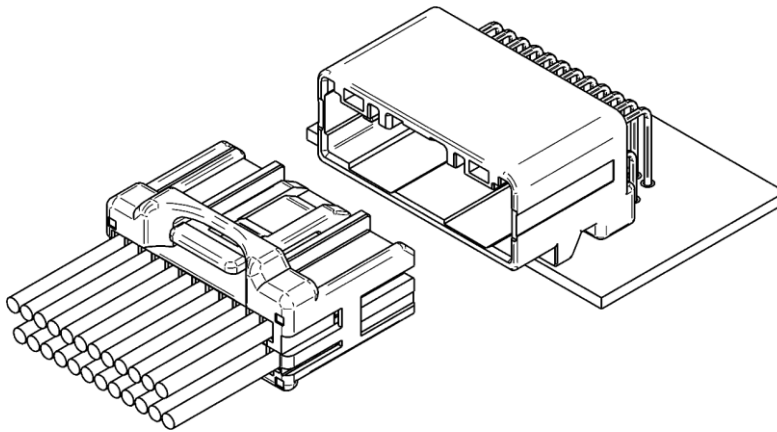
Board-to-wire



■ Features

- High reliability
- Low insertion force
- Key code options
- Flammability : UL94V-0

0.64 terminal, 2.2 mm pitch dual-row, board-to-wire connector for automotive applications.



■ Specifications

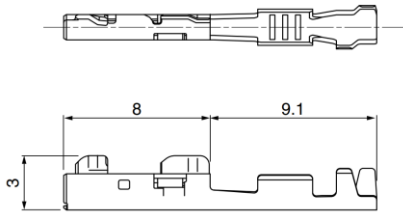
- Current rating : 5 A AC/DC (0.5mm², Single circuit)
- Withstanding voltage : 1,000 VAC /minute
- Temperature range : -40°C to +105°C
(including temperature rise in applying electrical current)
- Contact resistance : Initial value/ 20 mΩ max.
After environmental tests/ 20 mΩ max.
- Insulation resistance : 100 MΩ min.
- Applicable wire : AVSS/CAVS
0.3mm² to 0.5mm²
AVSSH
0.5mm²

*Compliant with ELV/RoHS2.

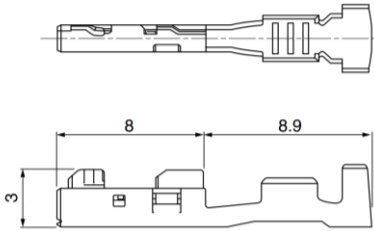
*Contact JST for details.

Female terminal

● **0.64 female terminal SSS**



● **0.64 female terminal S**



Size	Model No.	Applicable wire range		Q'ty/reel
		Conductor (mm ²)	Insulation O.D. (mm)	
*0.64SSS	SNAC3-A001T-M0.64	0.13	0.85	6,000
0.64S	SNAC3-A021T-M0.64	0.3 to 0.5	1.4 to 1.8	5,000

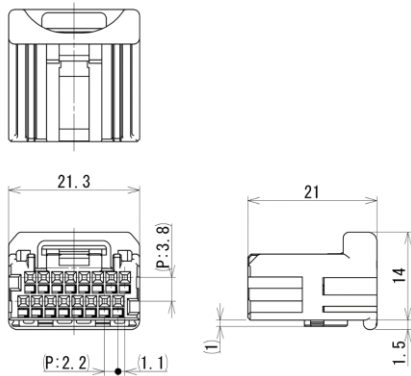
Material and Finish

Copper alloy, tin-plated

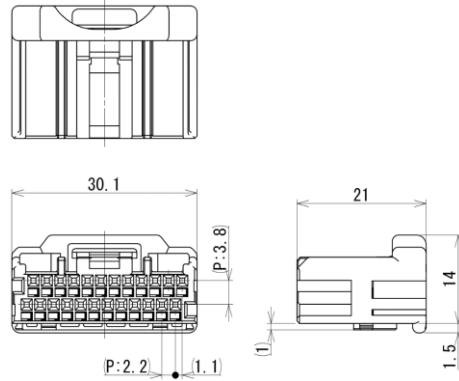
Note: * Contact JST about the use of these parts.

Female connector

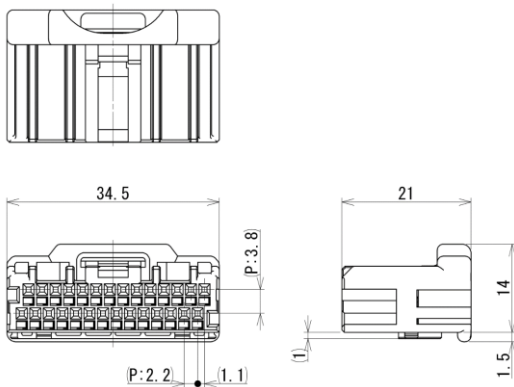
● 16 circuits



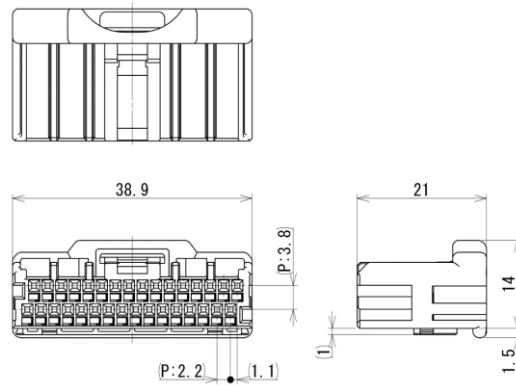
● 24 circuits



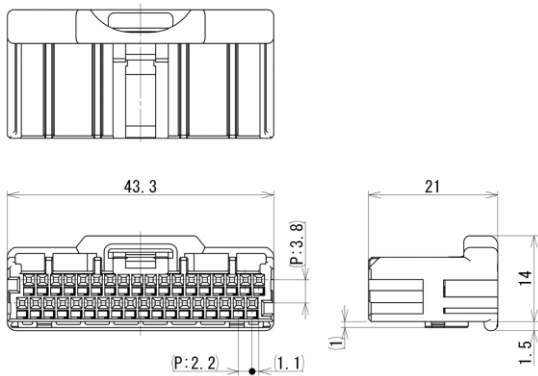
● 28 circuits



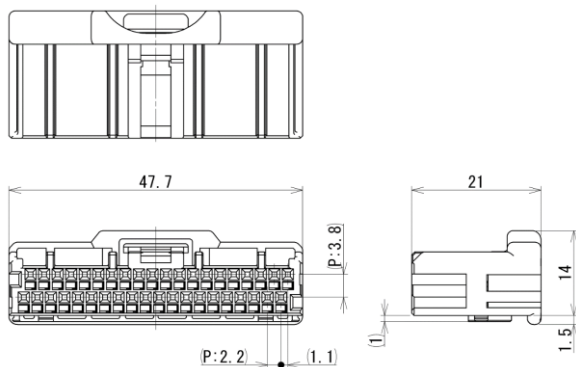
● 32 circuits



● 36 circuits



● 40 circuits



No. of circuits	Model No.	Color		Q'ty/box
		Housing	Retainer	
16	16BMSC-B-2A1	Black	Natural	784
24	24BMSC-B-2A1	Black	Natural	560
28	28BMSC-B-2A1	Black	Natural	448
32	32BMSC-B-2A1	Black	Natural	392
36	36BMSC-B-2A1	Black	Natural	336
40	40BMSC-B-2A1	Black	Natural	336

Material

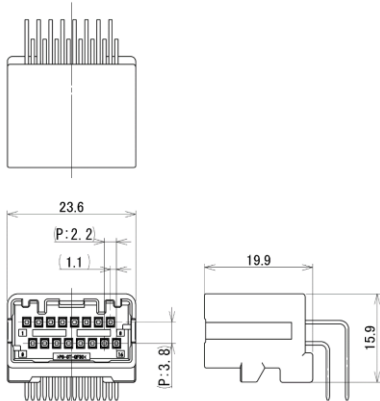
Housing: Glass-filled PBT,UL94V-0

Retainer: Glass-filled PBT,UL94V-0

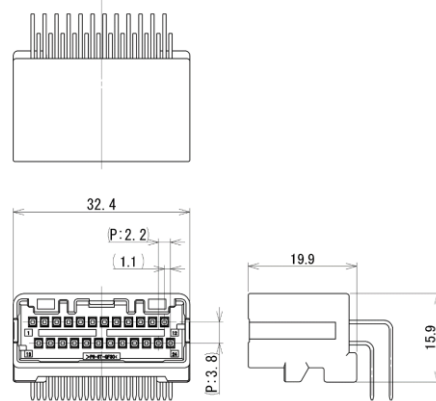
Note: Color/Key codes other than above-mentioned housing are also available.
Contact JST for details.

Male connector

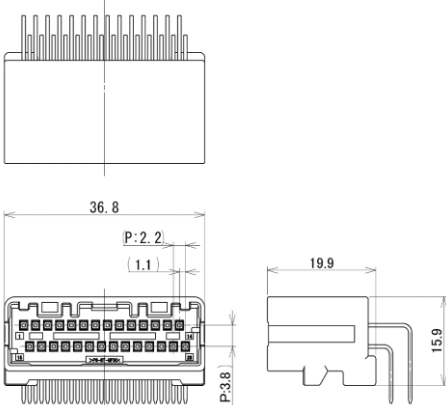
● 16 circuits



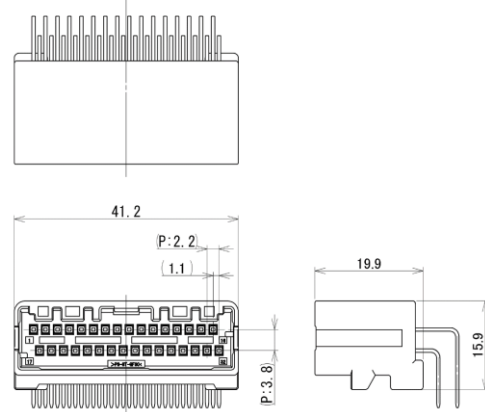
● 24 circuits



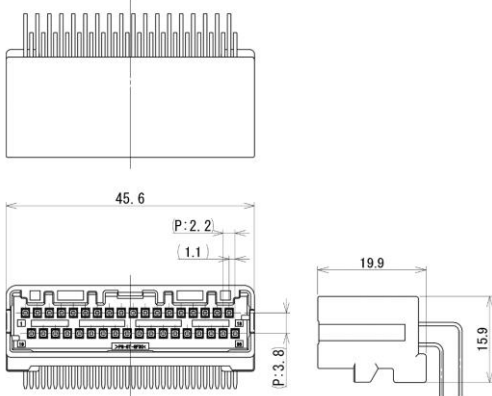
● 28 circuits



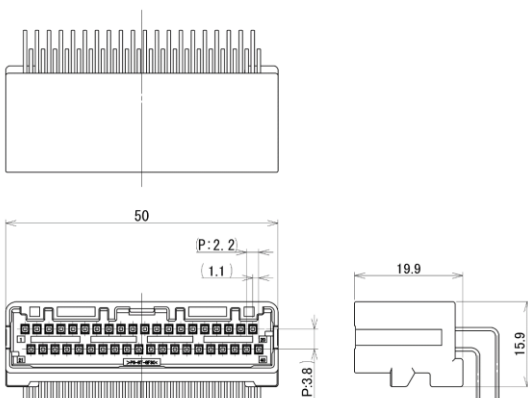
● 32 circuits



● 36 circuits



● 40 circuits



No. of circuits	Model No.	Housing Color	Q'ty/box
16	S16B-BMSCK-2A1	Black	480
24	S24B-BMSCK-2A1	Black	360
28	S28B-BMSCK-2A1	Black	320
32	S32B-BMSCK-2A1	Black	280
36	S36B-BMSCK-2A1	Black	240
40	S40B-BMSCK-2A1	Black	240

Material and Finish

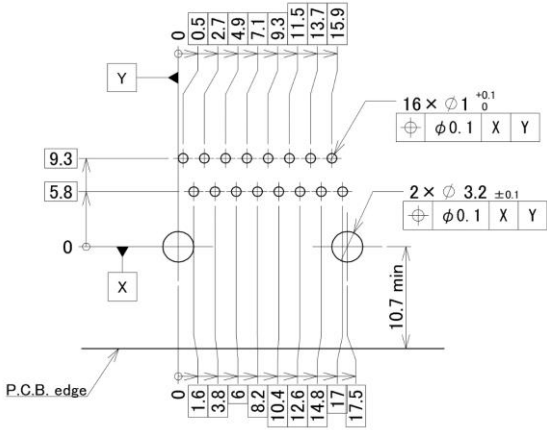
Housing : Glass-filled SPS, UL94V-0

Terminal: Copper alloy, tin-plated

Note: Color/Key codes other than above-mentioned housing are also available.
Contact JST for details.

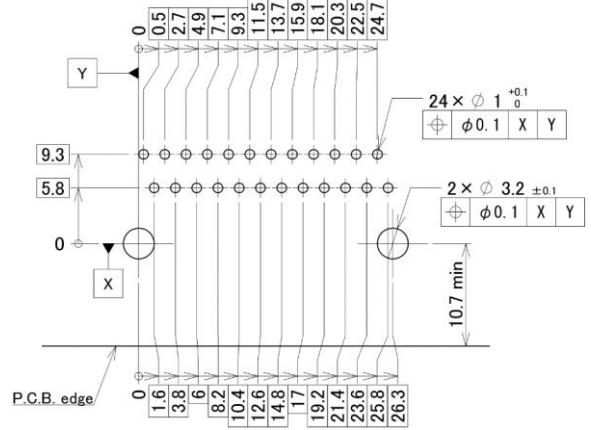
PC board layout

● 16 circuits



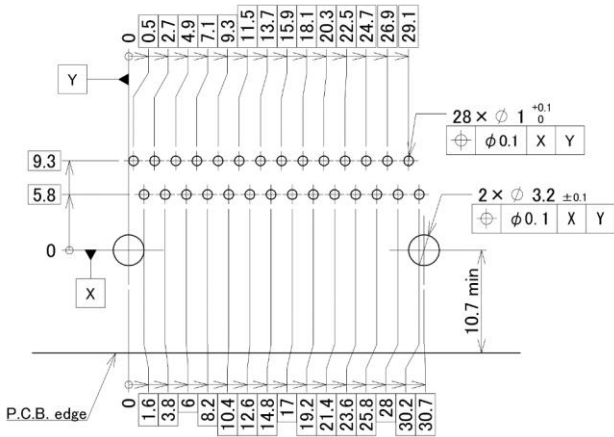
Connector mounted side

● 24 circuits



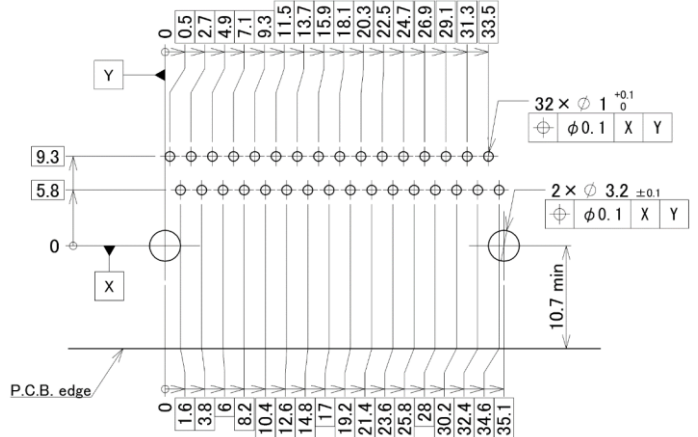
Connector mounted side

● 28 circuits



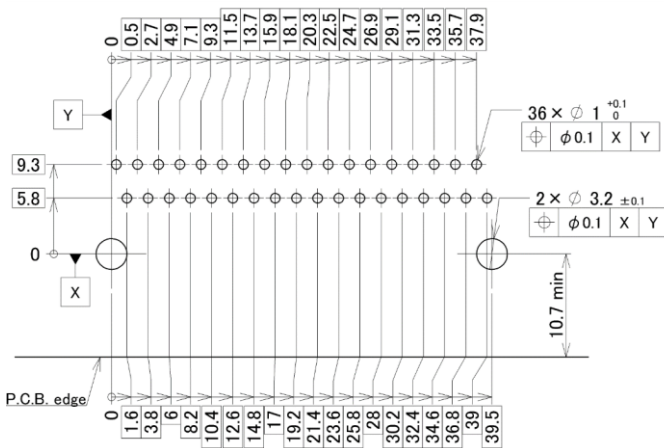
Connector mounted side

● 32 circuits



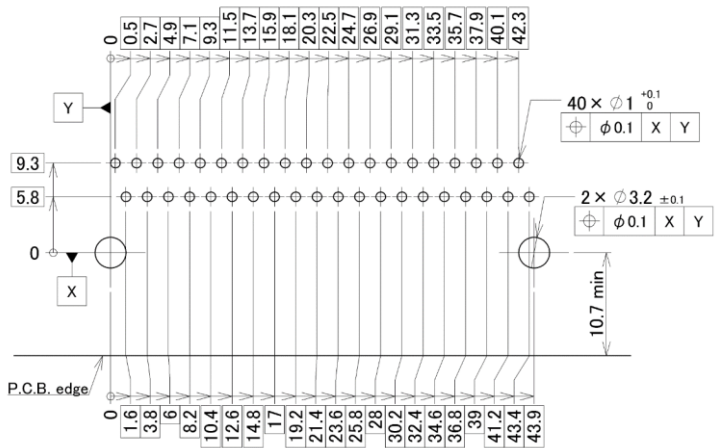
Connector mounted side

● 36 circuits



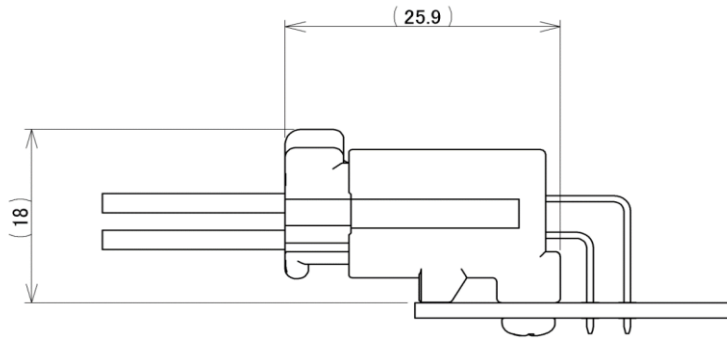
Connector mounted side

● 40 circuits



Connector mounted side

Assembly layout



Keycode

Keycode	A	B	C	D
Housing color	Black	Gray	Blue	Green
Configuration				
Female model No.	()BMSC-B-2A1	()BMSC-B-2A2	()BMSC-B-2A3	()BMSC-B-2A4
Male model No.	S()B-BMSCK-2A1	S()B-BMSCH-2A2	S()B-BMSCE-2A3	S()B-BMSCM-2A4

Note: Contact JST for details.

Crimping machine, Applicator

Strip terminal	Crimping machine	Crimp applicator MKS-L		Hand crimp tool	Applicable wire
		Dies	Crimp applicator with dies		
SNAC3-A001T-M0.64	AP-K2N	MK/SNAC3-A001-064	APLMK SNAC3-A001-064	-	-
SNAC3-A021T-M0.64		MK/SNAC3-A021-064	APLMK SNAC3-A021-064	YRK-1003	AVSS0.5,CAVS0.5

Note: 1. When crimping operation is conducted using an applicator and die set other than the above, JST cannot guarantee the performance of the terminal.
 2. Contact JST for details.

单击下面可查看定价，库存，交付和生命周期等信息

[>>JST\(杰世腾\)](#)