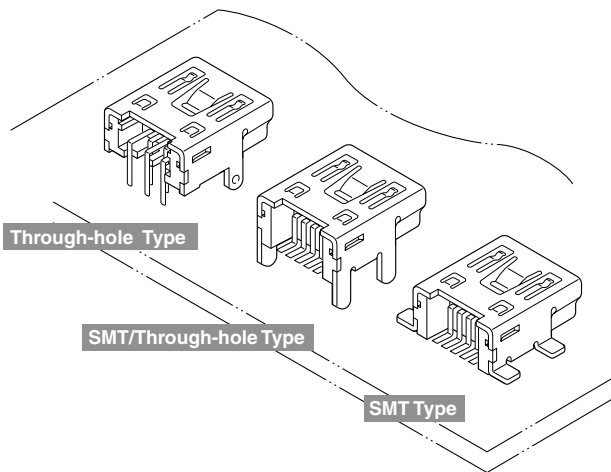




UB CONNECTOR mini-B Type

USB (Universal Serial Bus) Conforming Connector



The USB 2.0 certified receptacle is quite suitable for the interface of the small and miniaturized PC-peripheral products as Digital Cameras and MP3 Players.

- **Mounting area ratio: Less than about one-third of the USB connector**
- **Shielding and higher reliability of connection**
- **Excellent durability**
- **Variations**

Specifications

- Current rating: 1.0 A AC, DC
- Voltage rating: 30 V AC, DC
- Temperature range: -55°C to +85°C
(including temperature rise in applying electrical current)
- Contact resistance: Initial value/ 50 mΩ max.
After environmental tests/ 50 mΩ max.
- Insulation resistance: 1,000 MΩ min.
- Withstanding voltage: 100 VAC/minute
- Applicable wire: Mating with USB 2.0 certified mini-B plug
- Applicable PC board thickness:
Through-hole/Through-hole; 1.0 mm (DM14 Type)
; 1.6 mm (DMP14 Type)
SMT/Through-hole; 1.0 to 1.2 mm

- * Refer to "General Instruction and Notice when using Terminals and Connectors" at the end of this catalog.
- * Contact JST for details.
- * Compliant with RoHS.

Standards

Recognized E60389

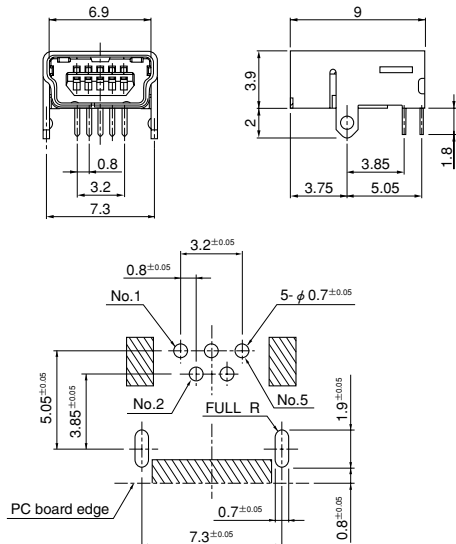
UB CONNECTOR mini-B Type

Receptacle

USB 2.0 certified product

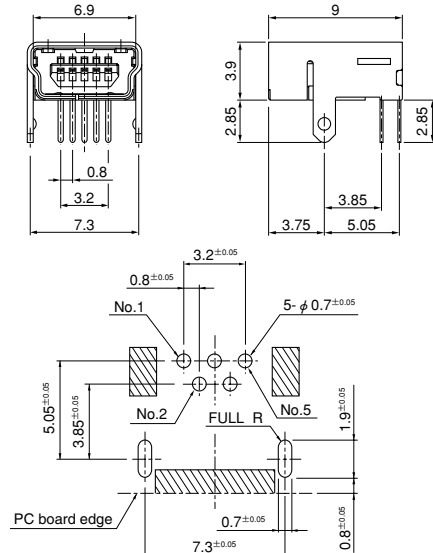
Through-hole/Through-hole

TID No.: 60000423



Through-hole/Through-hole

TID No.: 60000423



Model No.	Material and Finish		Q'ty/box
UB-M5BR-DM14-4D	Contact	Copper alloy, nickel-undercoated, selective gold-plated	400
	Housing	Thermoplastic resin, UL94V-0	
	Shell	Copper alloy, nickel-undercoated, tin-plated	

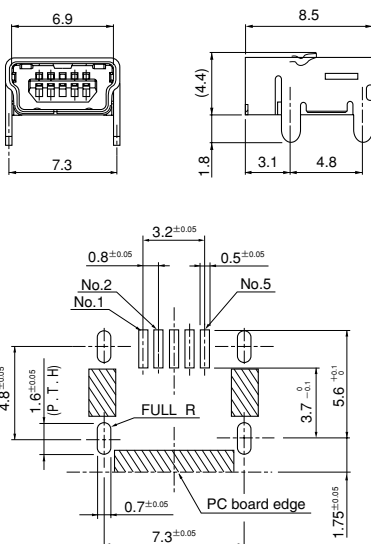
RoHS compliance This product displays (LF)(SN) on a label.

Model No.	Material and Finish		Q'ty/box
UB-M5BR-DMP14-4S	Contact	Copper alloy, nickel-undercoated, selective gold-plated	400
	Housing	Heat resisting resin, UL94V-0	
	Shell	Copper alloy, nickel-undercoated, tin-plated	

RoHS compliance This product displays (LF)(SN) on a label.

SMT/Through-hole

TID No.: 60000423

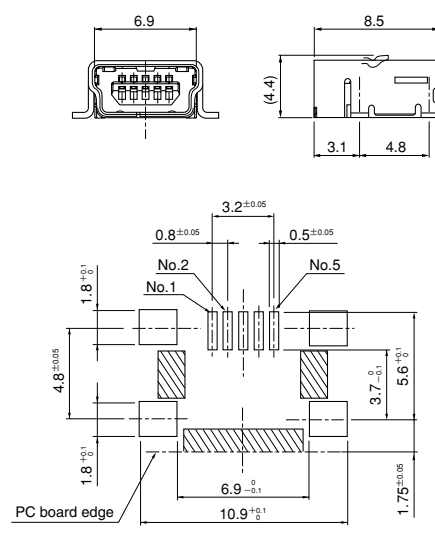


Model No.	Material and Finish		Q'ty/box
UB-M5BR-S14-4S	Contact	Copper alloy, nickel-undercoated, selective gold-plated	840
	Housing	Heat resisting resin, UL94V-0	
	Shell	Copper alloy, nickel-undercoated, tin-plated	

RoHS compliance This product displays (LF)(SN) on a label.

SMT/SMT

TID No.: 60000423



Model No.	Material and Finish		Q'ty/box
UB-M5BR-G14-4S	Contact	Copper alloy, nickel-undercoated, selective gold-plated	840
	Housing	Heat resisting resin, UL94V-0	
	Shell	Copper alloy, nickel-undercoated, tin-plated	

RoHS compliance This product displays (LF)(SN) on a label.

单击下面可查看定价，库存，交付和生命周期等信息

[>>JST\(杰世腾\)](#)