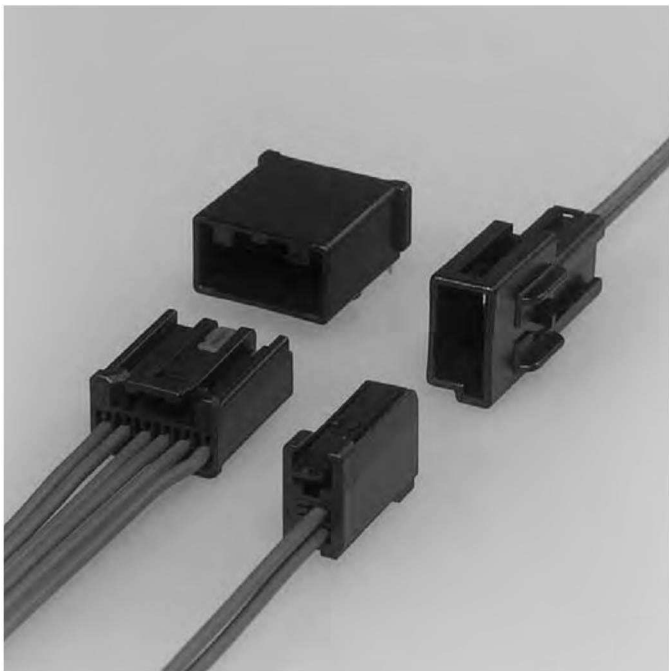


# AIT-II CONNECTOR

0.64 terminal

Board-to-wire/Wire-to-wire



0.64 unsealed low-profile connector series for use in a wide range of automotive applications.

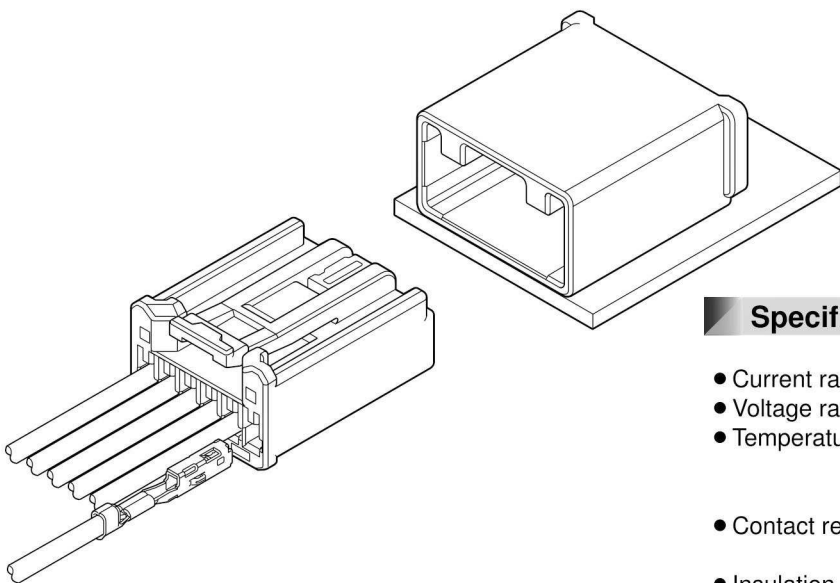
## Features

### ● Ultra Low Profile Connector

Over 30% Height Reduction as compared to the Standard USCAR Footprints.

### ● Variations

There are multiple varieties of AIT-II Connectors which can satisfy your needs.

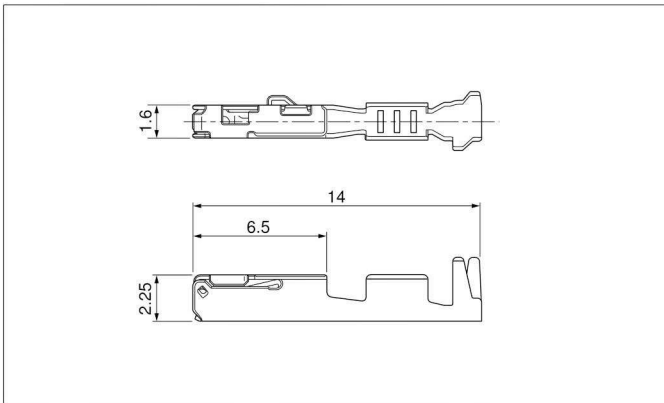


## Specifications

- Current rating: 5 A DC max.
- Voltage rating: 14 V DC
- Temperature range: -40°C to +105°C  
(including temperature rise in applying electrical current)
- Contact resistance: Initial value/ 15 mΩ max.  
After environmental tests/ 15 mΩ max.
- Insulation resistance: 100 MΩ min.
- Applicable wire: SAE/ AVSS/ CAVS/ FLRY  
0.3 mm<sup>2</sup> to 0.85 mm<sup>2</sup>

- \* Compliant with ELV/RoHS.
- \* Contact JST for details.

## Female terminal



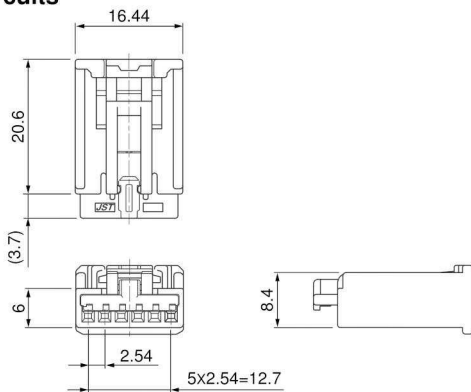
Model No.	Applicable wire range		Q'ty/reel
	Conductor (mm <sup>2</sup> )	Insulation O.D. (mm)	
①SAIT-A03T-M064	0.3 to 0.5	≤1.9	6,500
①SAIT-A02T-M064	0.75 to 0.85	≤1.9	6,500
②SAIT-A03GF-M064	0.3 to 0.5	≤1.9	6,500
②SAIT-A02GF-M064	0.75 to 0.85	≤1.9	6,500

### Material and Finish

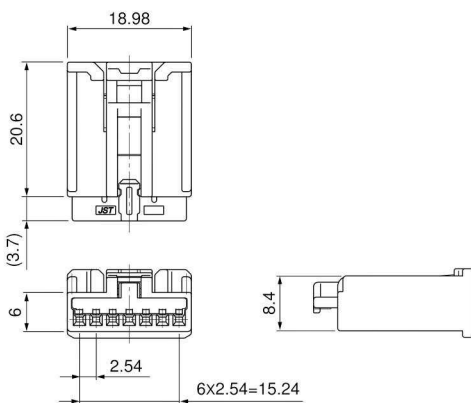
- ① Copper alloy, tin-plated (reflow treatment)
- ② Copper alloy, nickel-undercoated,  
Contact area; gold-plated  
Barrel area; tin-plated

## Female connector (Single row)

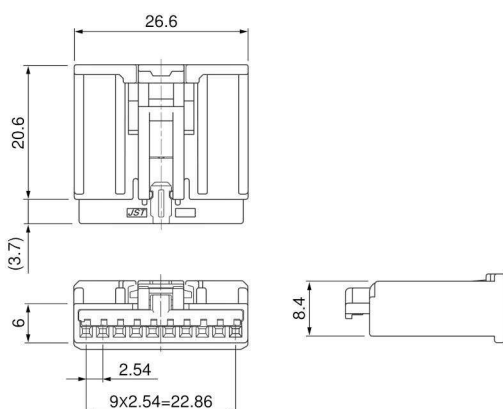
### ● 6 circuits



### ● 7 circuits



### ● 10 circuits



Circuits	Model No.	Q'ty/box	Housing Color
6	AIT2PB-06-1AK	5,250	Black
	AIT2PB-06-1BH	5,250	Gray
	AIT2PB-06-1FS	5,250	Natural (White)
7	AIT2PB-07-1BH	300	Gray
	AIT2PB-07-1FS	300	Natural (White)
10	AIT2PB-10-1AK	3,000	Black
	AIT2PB-10-1BH	3,000	Gray
	AIT2PB-10-1DM	3,000	Green
	AIT2PB-10-1FS	3,000	Natural (White)
	AIT2PB-10-1AD	3,000	Orange

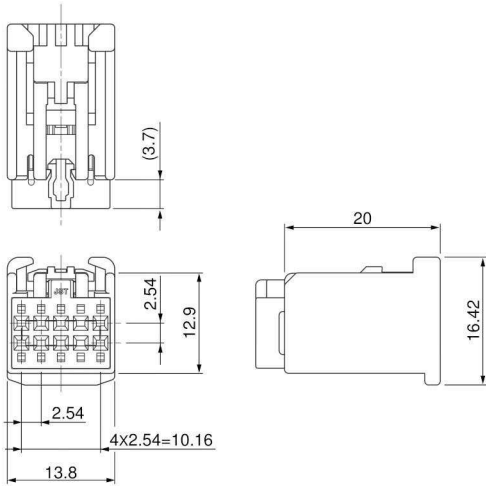
### Material and Finish

- Housing: Glass-filled PBT
- TPA: Glass-filled PBT, Red

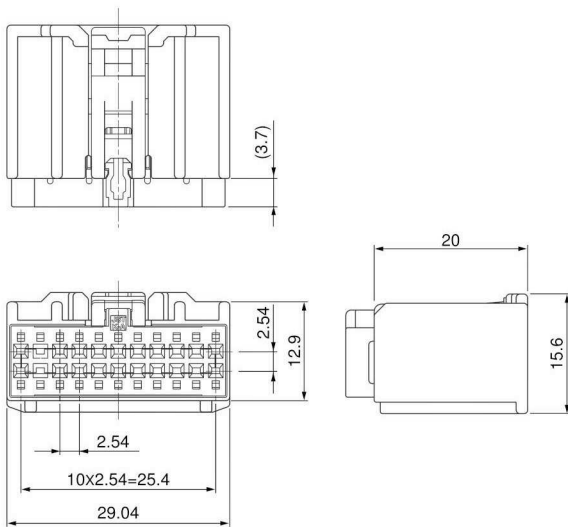
# AIT-II CONNECTOR

## Female connector (Dual row)

### • 10 circuits



### • 22 circuits



Circuits	Model No.	Q'ty/box	Housing Color	TPA Color
10	AIT2PB-10P-2AK	200	Black	Natural (White)
	AIT2PB-10P-2BH	200	Gray	Natural (White)
22	AIT2PB-22-2AK	100	Black	Natural (White)
	AIT2PB-22-2BH	100	Gray	Natural (White)

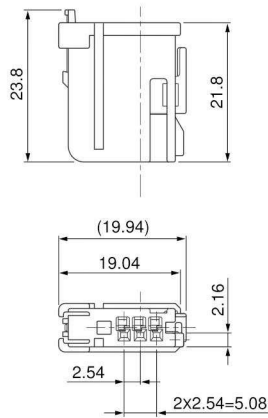
#### Material and Finish

Housing: Glass-filled PBT  
TPA: Glass-filled PBT

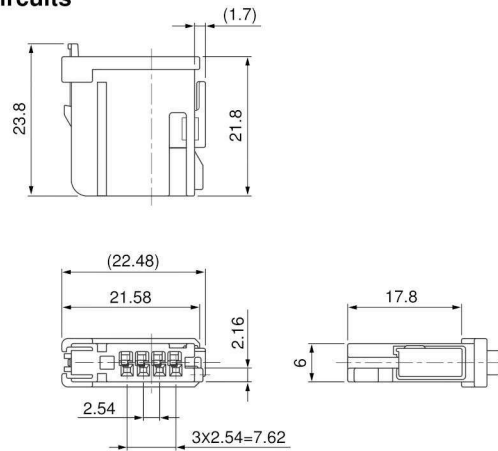
## Female connector (Side Lock)

### Side-Load TPA

• 3 circuits

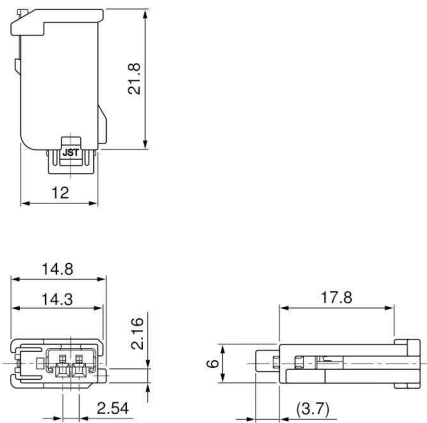


• 4 circuits

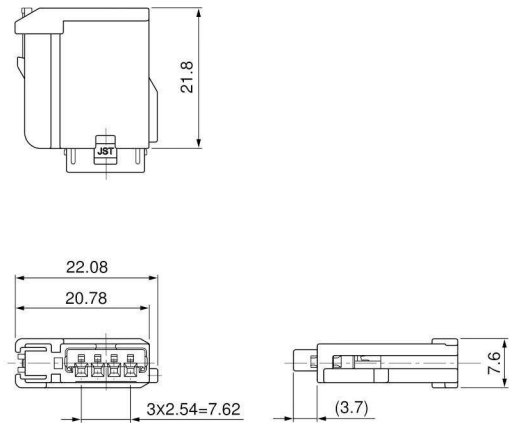


### Front-Load TPA

• 2 circuits



• 4 circuits



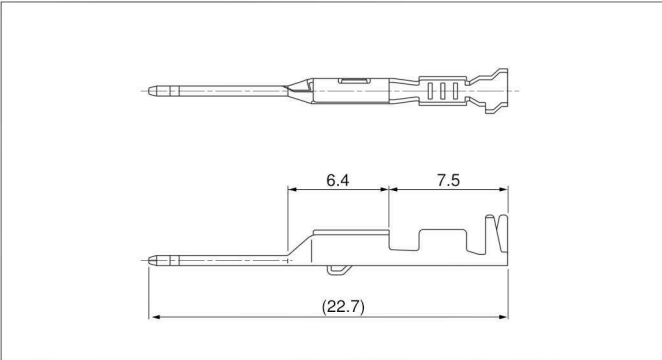
Circuits	TPA Location	Model No.	Q'ty/box	Housing Color
2	Front-Load	<b>AIT2PB-02G-1AK</b>	8,400	Black
		<b>AIT2PB-02A-1FS</b>	8,400	Natural (White)
3	Side-Load	<b>AIT2PB-03B-1AK</b>	6,000	Black
4	Front-Load	<b>AIT2PB-04G-1AK</b>	5,500	Black
	Side-Load	<b>AIT2PB-04B-1AK</b>	400	Black

#### Material and Finish

Housing: Glass-filled PBT  
TPA: Glass-filled PBT, Red

# AIT-II CONNECTOR

## Male terminal

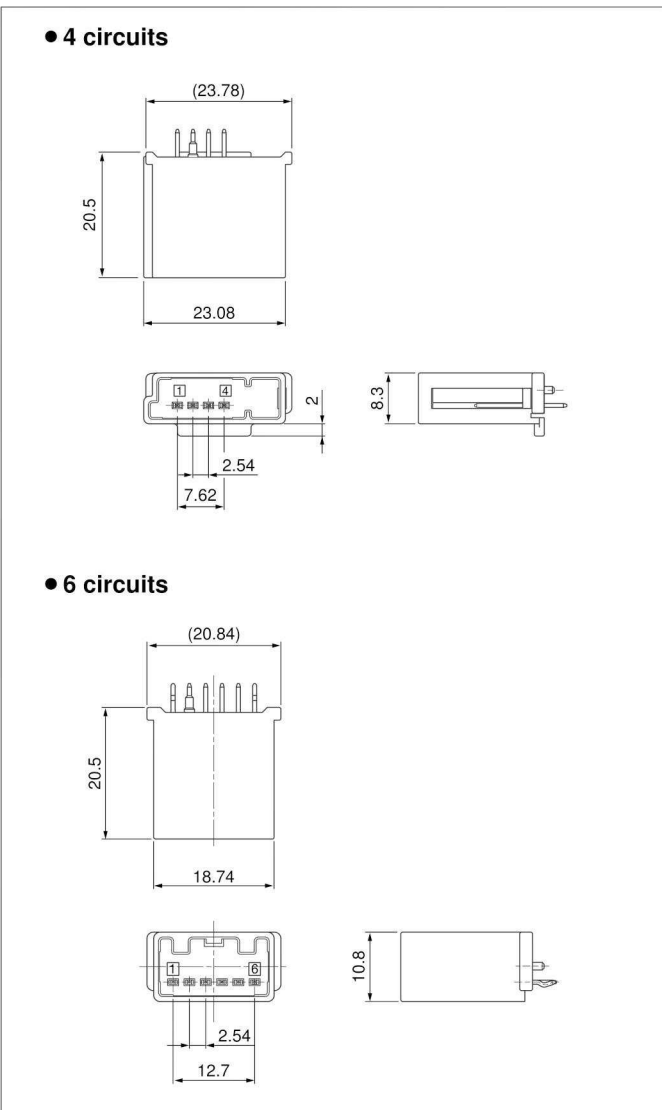


Model No.	Applicable wire range		Q'ty/reel
	Conductor (mm <sup>2</sup> )	Insulation O.D. (mm)	
①SAITW-A03T-064	0.3 to 0.5	≤1.9	9,000
①SAITW-A02T-064	0.75 to 0.85	≤1.9	7,000
②SAITW-A03GF-064	0.3 to 0.5	≤1.9	9,000
②SAITW-A02GF-064	0.75 to 0.85	≤1.9	7,000

### Material and Finish

- ①Brass, tin-plated (reflow treatment)
- ②Brass, nickel-undercoated, Contact area: gold-plated  
Barrel area: tin-plated

## Male connector (Top entry type)



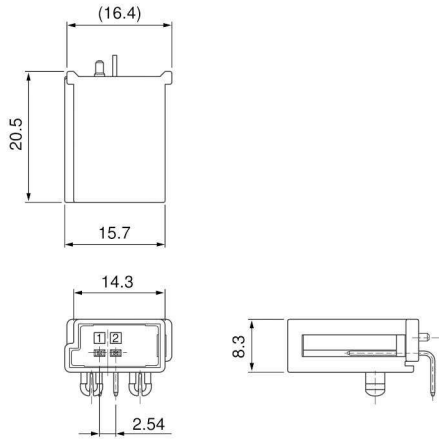
Circuits	Model No.	Q'ty/box	Housing Color
4	①B04BA-AIT2-1AK	108	Black
6	②B06BA-AIT2-1AK-K	120	Black

### Material and Finish

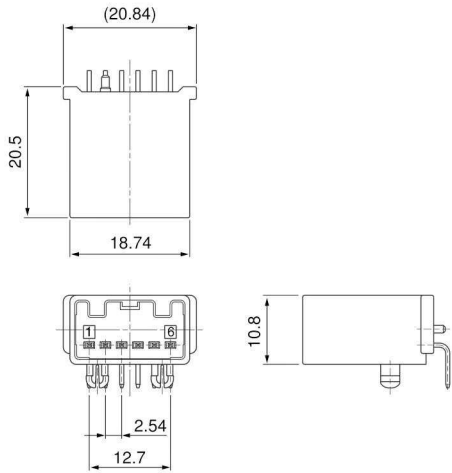
- Housing: ①Glass-filled nylon
- ②Glass-filled PBT
- Pin: Brass, tin-plated

## Male connector (Side entry type)

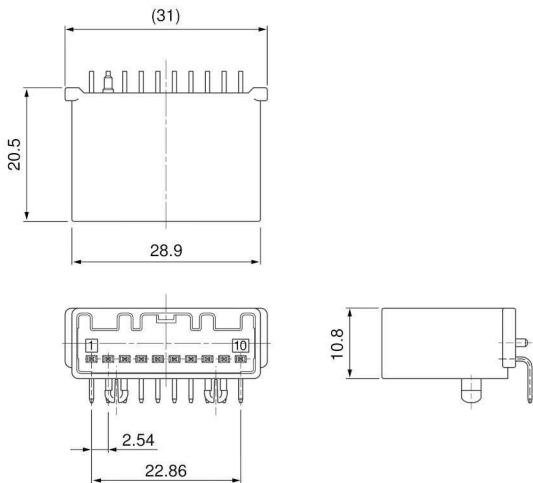
### Single row ● 2 circuits



### ● 6 circuits



### ● 10 circuits



Circuits	Model No.	Q'ty/box	Housing Color
2	① S02BA-AIT2-1AK	96	Black
	① S02BA-AIT2-1FS		Natural (White)
6	① S06B-AIT2-1AK	80	Black
	① S06B-AIT2-1FS		Natural (White)
	① S06B1-AIT2-1FS		Natural (White)
	② S06B1-AIT2G-1AK		Black
10	② S10B-AIT2G-1AK	72	Black
	② S10B-AIT2G-1AD		Orange

#### Material and Finish

Housing: Glass-filled PBT

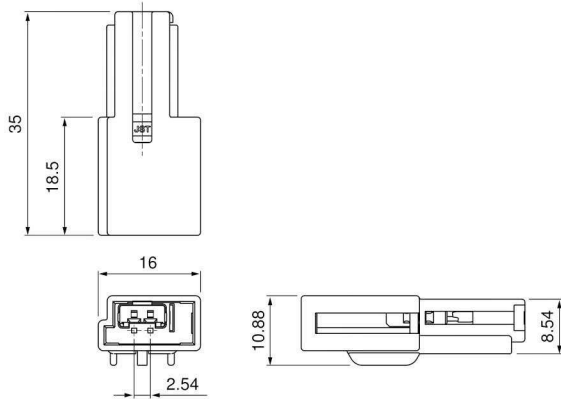
Pin: ① Brass, tin-plated

② Brass, tin-plated, nickel-undercoated,

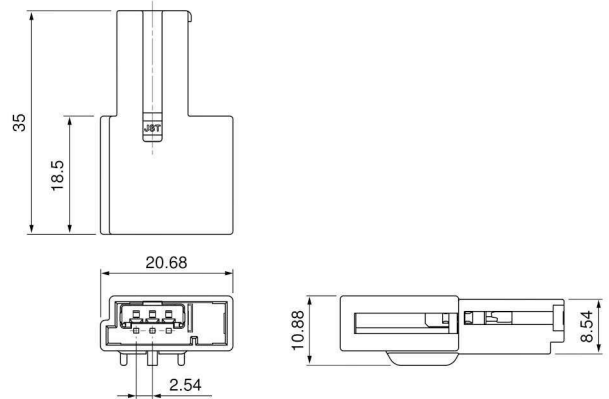
Contact area: gold-plated

## Male connector (Wire-to-wire)

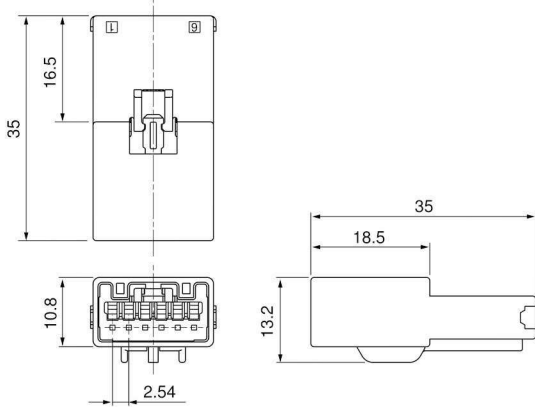
### • 2 circuits



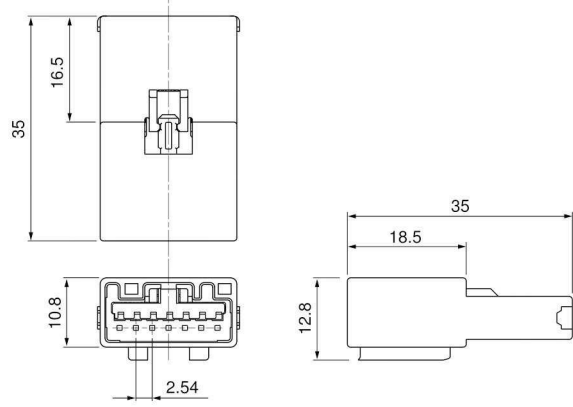
### • 3 circuits



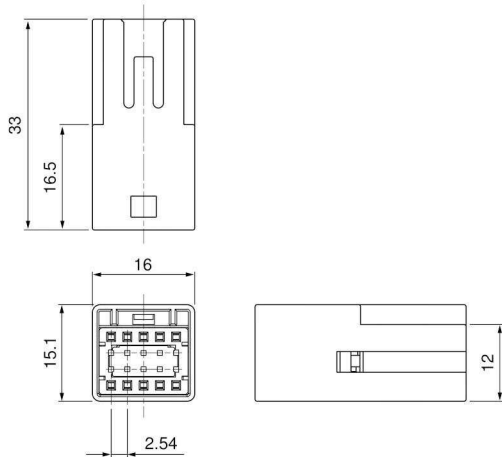
### • 6 circuits



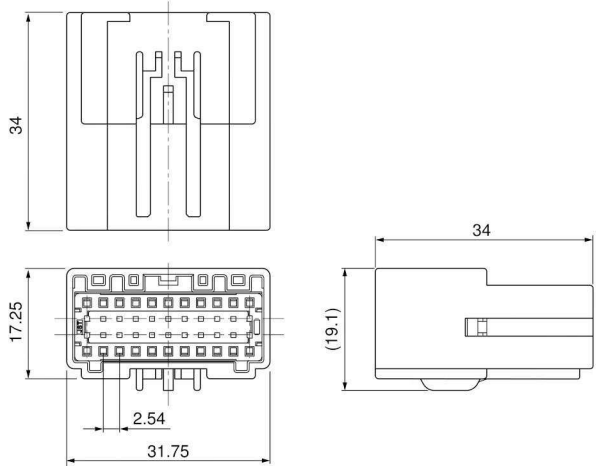
### • 7 circuits



### • 10 circuits (Dual row)



### • 22 circuits (Dual row)



Circuits	Model No.	Q'ty/box	Housing Color	TPA Color
2	<b>AIT2WSB-02A-1AK</b>	300	Black	Red
3	<b>AIT2WSB-03A-1AK</b>	200	Black	Red
6	<b>AIT2WSB-06-1AK</b>	150	Black	Red
	<b>AIT2WSB-06-1FS</b>	150	Natural (White)	Red
7	<b>AIT2WSB-07-1FS</b>	150	Natural (White)	Red
	<b>AIT2WSB-07-1FK</b>	150	Black	Red
10	<b>AIT2WSB-10A-2AK</b>	150	Black	Natural (White)
	<b>AIT2WSB-10A-2BH</b>	150	Gray	Natural (White)
22	<b>AIT2WSB-22-2AK</b>	60	Black	Natural

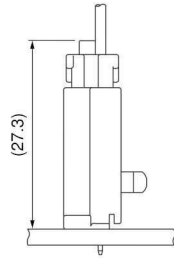
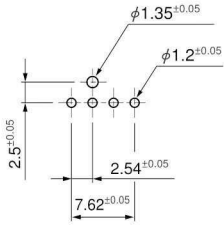
#### Material

Housing: Glass-filled PBT  
TPA: Glass-filled PBT

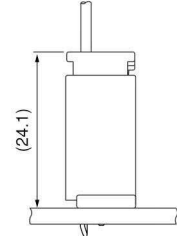
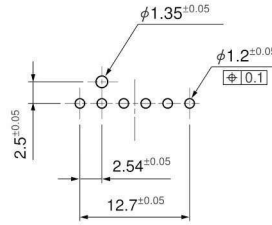
## PC board layout, Assembly layout

### Top entry type

● 4 circuits



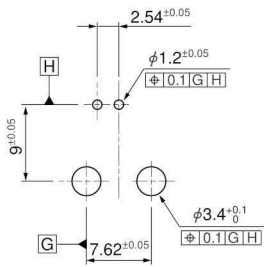
● 6 circuits



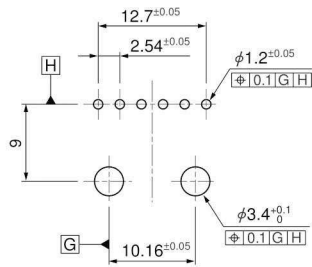
### Side entry type

Single row

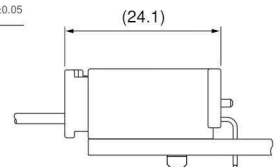
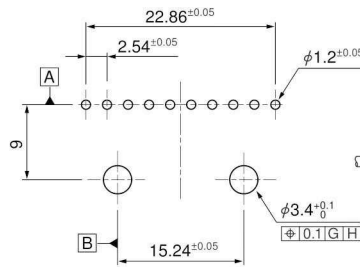
● 2 circuits



● 6 circuits



● 10 circuits



Note: 1. Tolerances are non-cumulative.

2. Hole dimensions differ according to the type of PC board and piercing method.  
The dimensions above should serve as guideline. Contact JST for details.

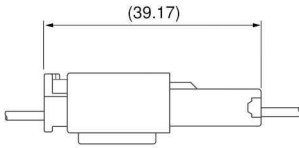


## Assembly layout

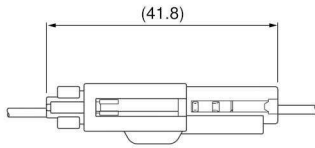
### Wire-to-wire type

- Single row

AIT2WSB-( )-1( )

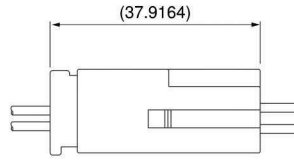


AIT2WSB-( )A-1( )

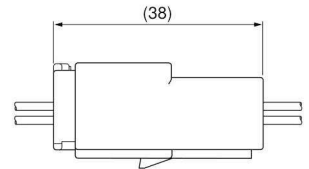


- Dual row

AIT2WSB-( )A-2( )



AIT2WSB-22-2AK



## Crimping machine, Applicator

Strip terminal	Crimping machine	Crimp applicator MKS-L	
		Dies	Crimp applicator with dies
SAIT-A03( )-M064	AP-K2N	MK/SAIT-A03-064	APLMK SAIT-A03-064
SAIT-A02( )-M064		MK/SAIT-A02-064	APLMK SAIT-A02-064
SAITW-A03( )-064		MK/SAITW-A03-064	APLMK SAITW-A03-064
SAITW-A02( )-064		MK/SAITW-A02-064	APLMK SAITW-A02-064

Note: When crimping operation is conducted using an applicator and die set other than the above, JST cannot guarantee the performance of the terminal.

单击下面可查看定价，库存，交付和生命周期等信息

[>>JST\(杰世腾\)](#)