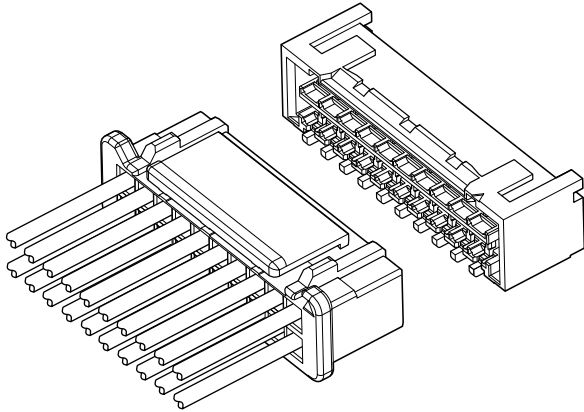


# PBD CONNECTOR

2.0 mm pitch/Disconnectable Crimp style connectors



- Secure locking structure
- Sucking area on header
- High reliability contact
- Side entry dual-row type
- Applicator is interchangeable with those of the PHD connector contact.

## Specifications

- Current rating: 3 A AC/DC (AWG #22)
- Voltage rating: 100 V AC/DC
- Temperature range: -25°C to +85°C  
(including temperature rise in applying electrical current)
- Contact resistance: Initial value/ 10 mΩ max.  
After environmental tests/ 20 mΩ max.
- Insulation resistance: Initial/ 1,000 MΩ min.
- Withstanding voltage: 800 VAC/minute
- Applicable wire: Conductor size/ AWG #28 to #22  
Insulation O.D./ 1.0 to 1.5 mm

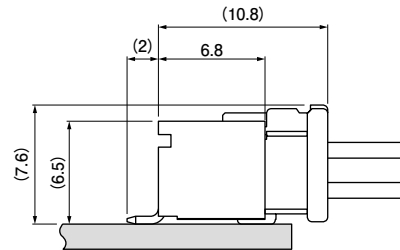
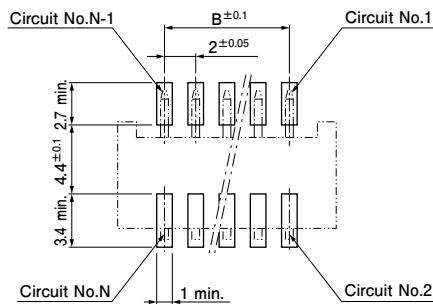
\* In using the products, refer to "Handling Precautions for Terminals and Connectors" described on our website (Technical documents of Product information page).

\* RoHS2 compliance

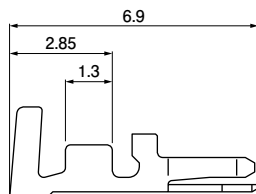
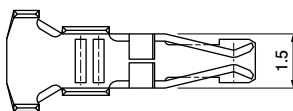
\* Dimensional unit: mm

\* Contact JST for details.

## PC board layout and Assembly layout



## Contact



Model No.	Applicable wire		Insulation O.D. (mm)	Q'ty/reel
	mm <sup>2</sup>	AWG#		
SPBD-001T-P0.5	0.13~0.33	26~22	1.0~1.5	10,000
SPBD-002T-P0.5	0.08~0.21	28~24	0.8~1.5	10,000

### Material and Finish

Phosphor bronze, tin-plated (reflow treatment)

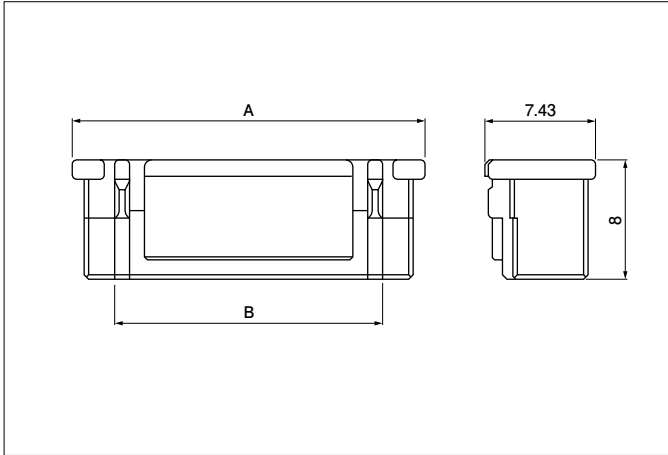
### RoHS2 compliance

Contact	Crimping machine	Applicator		
		Crimp applicator	Dies	Crimp applicator with dies
SPBD-001T-P0.5	AP-K2N	MKS-L	MK/SPBD-001-05	APLMK SPBD001-05
		MKS-L-10	MK/SPHD-001-05	APLMK SPHD001-05
SPBD-002T-P0.5		MKS-L	MK/SPBD-002-05	APLMK SPBD002-05
		MKS-L-10	MK/SPHD-002-05	APLMK SPHD002-05

Note: Contact JST for fully automatic crimping applicator.

# PBD CONNECTOR

## Housing



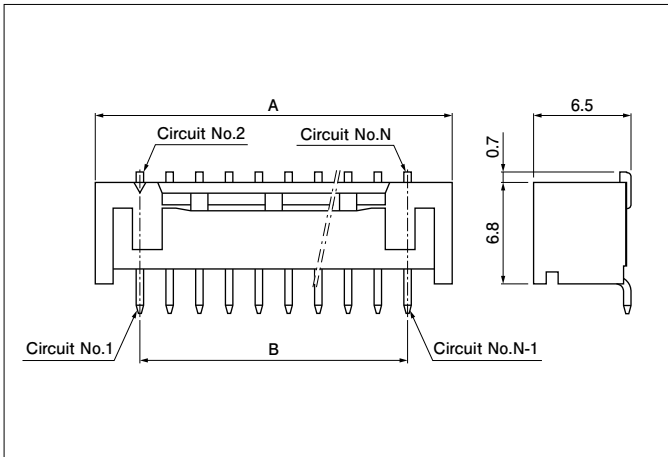
No. of circuits	Model No.	Dimensions (mm)		Q'ty/bag
		A	B	
16	PBDP-16V-S	19.7	14.0	500
20	PBDP-20V-S	23.7	18.0	300
30	PBDP-30V-S	33.7	28.0	200

### Material and Finish

PBT, UL94V-0, natural (white)

RoHS2 compliance

## Shrouded header



No. of circuits	Model No.	Dimensions (mm)		Q'ty/reel
		A	B	
16	SM16B-PBDSS-TF	20.0	14.0	800
20	SM20B-PBDSS-TF	24.0	18.0	800
30	SM30B-PBDSS-TF	34.0	28.0	800

### Material and Finish

Post: Copper alloy, copper-undercoated, tin-plated (reflow treatment)

Base housing: Polyamide resin, UL94V-0, natural (ivory)

Base contact: Copper alloy, copper-undercoated, tin-plated (reflow treatment)

RoHS2 compliance This product displays (LF)(SN) on a label.

Note: These products listed above are supplied on embossed-tape.

单击下面可查看定价，库存，交付和生命周期等信息

[>>JST\(杰世腾\)](#)