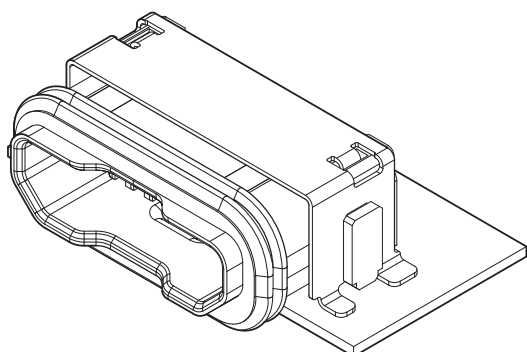




UB CONNECTOR Micro USB



USB (Universal Serial bus) Conforming Connector (Waterproof)



This connector is an interface connector for cellular phone and mobile equipment conforming to Micro USB (Universal Serial Bus) Standard that is grade 7 ingress protection of JIS C 0920 (IPX7 of IEC 60529).

*Grade 7 ingress protection of JIS C 0920 (IPX7 of IEC 60529) : Leave it at a depth of 1 m for 30 minutes.

- Waterproof performance
- Assuring 10,000 cycles insertion and withdrawal as durability
- Strong structure which welded to caulking part by laser welding
- SMT configuration

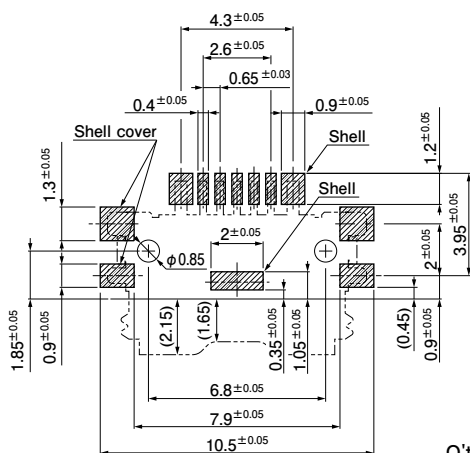
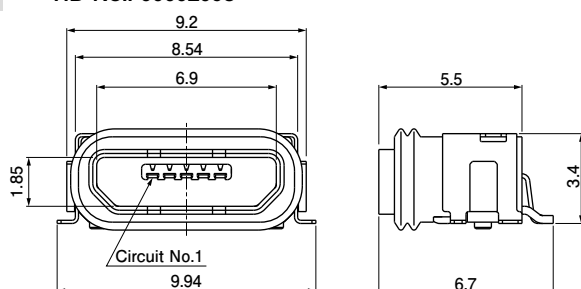
Specifications

- Current rating :
 - When using only signal line
 - Signal line (when using the contacts from No.2 to 4.)
 - : 1.0 A/Line AC/DC
 - When using power supply line
 - Power supply line (when using the contacts No.1 and 5.)
 - : 1.8 A/Line AC/DC
 - Signal line (when using the contacts from No.2 to 4.)
 - : 0.5 A/Line AC/DC
 - Voltage rating: 30 V AC/DC
 - Temperature range: -30°C to +85°C
 - (including temperature rise in applying electrical current)
 - Contact resistance: Initial value/ 30 mΩ max.
 - After environmental tests/ 50 mΩ max. (variation from initial value)
 - Insulation resistance: 1,000 MΩ min.
 - Withstanding voltage: 100 VAC/minute
- * In using the products, refer to "Handling Precautions for Terminals and Connectors" described on our website (Technical documents of Product information page).
- * RoHS2 compliance
- * Dimensional unit: mm
- * Contact JST for details.

Receptacle

Standard B Type

TID No.: 60002098



Q'ty/reel: 1,500

Model No.	Material and Finish
UB-MC5BR3-SDWP604-4S	Contact: Copper alloy, nickel-undercoated, gold-plated
	Housing: Heat resisting resin, UL94V-0, black
	Shell: SUS, nickel-undercoated, tin-plated
	Shell cover: Copper alloy, nickel-undercoated, tin-plated
	Cap: Heat resisting resin, UL94V-0, black
	Outer seal: Silicone rubber, black
	Sealant: Cured resin

RoHS2 compliance

单击下面可查看定价，库存，交付和生命周期等信息

[>>JST\(杰世腾\)](#)