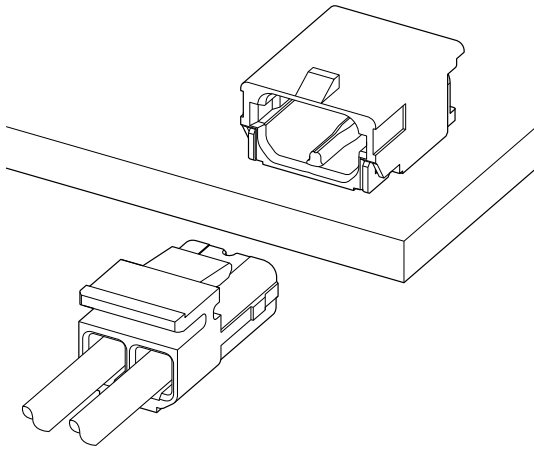


# SFK CONNECTOR

1.8mm pitch/Disconnectable Crimp style connectors



This SFK connector is a wire-to-board connector for connecting power supply and PCB and withstands high voltage. It is used for power supply of LED backlight in Liquid Crystal Display Television set.

- Withstand high voltage
- Secure locking structure
- Halogen-free

## Specifications

- Current rating: 4 A AC, DC (AWG #22)
- Voltage rating: 350 V AC, DC
- Temperature range: -25°C to +85°C  
(including temperature rise in applying electrical current)
- Contact resistance: Initial value/ 10 mΩ max.  
After environmental tests/ 20 mΩ max.
- Insulation resistance: 1,000 MΩ min.
- Withstanding voltage: 1,700 VAC/minute
- Applicable wire: Conductor size/ AWG #30 to #22  
Insulation O.D./ 0.7 to 1.3 mm

\* Refer to "General Instruction and Notice when using Terminals and Connectors" at the end of this catalog.

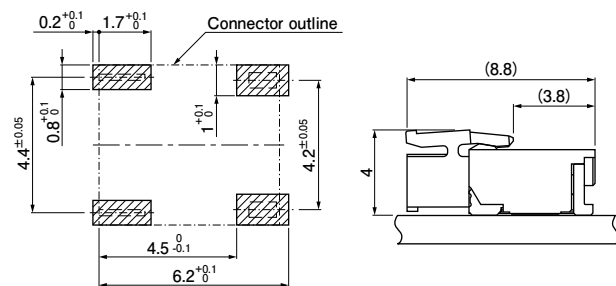
\* Contact JST for details.

\* Compliant with RoHS.

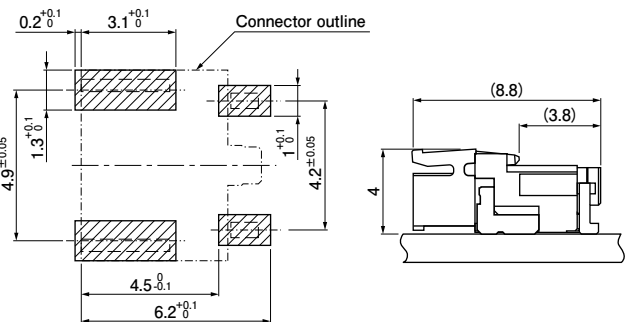
## Standards

Recognized E60389

## PC board layout and Assembly layout



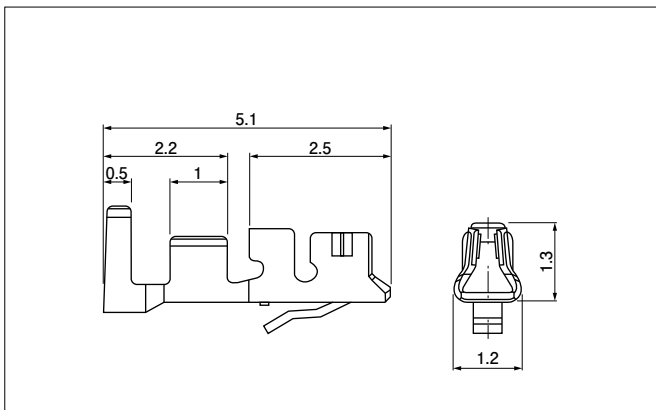
### ● B type



Note: 1. The above figure is the figure viewed from the connector mounting side.

2. Tolerances are non-cumulative: ± 0.05 mm for all centers. The dimensions above should serve as a guideline. Contact JST for details.

## Contact



| Model No.      | Applicable wire |          | Insulation O.D.<br>(mm) | Q'ty/reel |
|----------------|-----------------|----------|-------------------------|-----------|
|                | mm <sup>2</sup> | AWG#     |                         |           |
| SSFH-001T-P0.5 | 0.13 to 0.33    | 26 to 22 | 0.95 to 1.3             | 15,000    |
| SSFH-002T-P0.5 | 0.05 to 0.13    | 30 to 26 | 0.7 to 1.25             | 15,000    |

### Material

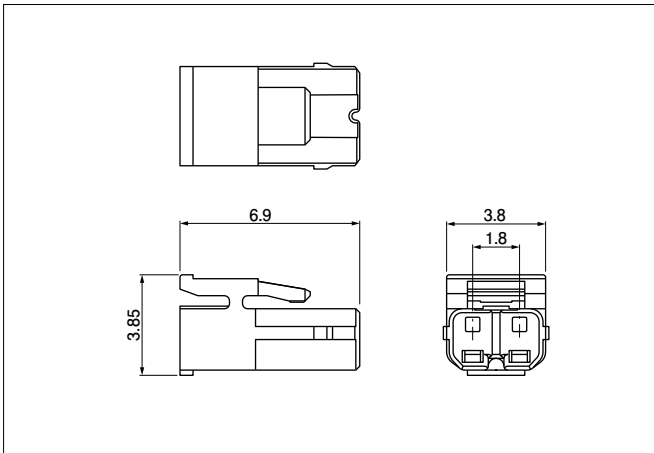
Copper alloy, tin-plated (reflow treatment)

### RoHS compliance

| Contact        | Crimping machine | Applicator       |                |                            |
|----------------|------------------|------------------|----------------|----------------------------|
|                |                  | Crimp applicator | Dies           | Crimp applicator with dies |
| SSFH-001T-P0.5 | AP-K2N           | MKS-L            | MK/SSFH-001-05 | APLMK SSFH001-05           |
|                |                  | —                | —              | —                          |
| SSFH-002T-P0.5 | —                | MKS-L            | MK/SSFH-002-05 | APLMK SSFH002-05           |
|                |                  | —                | —              | —                          |

Note: Contact JST for fully automatic crimping applicator.

## Housing

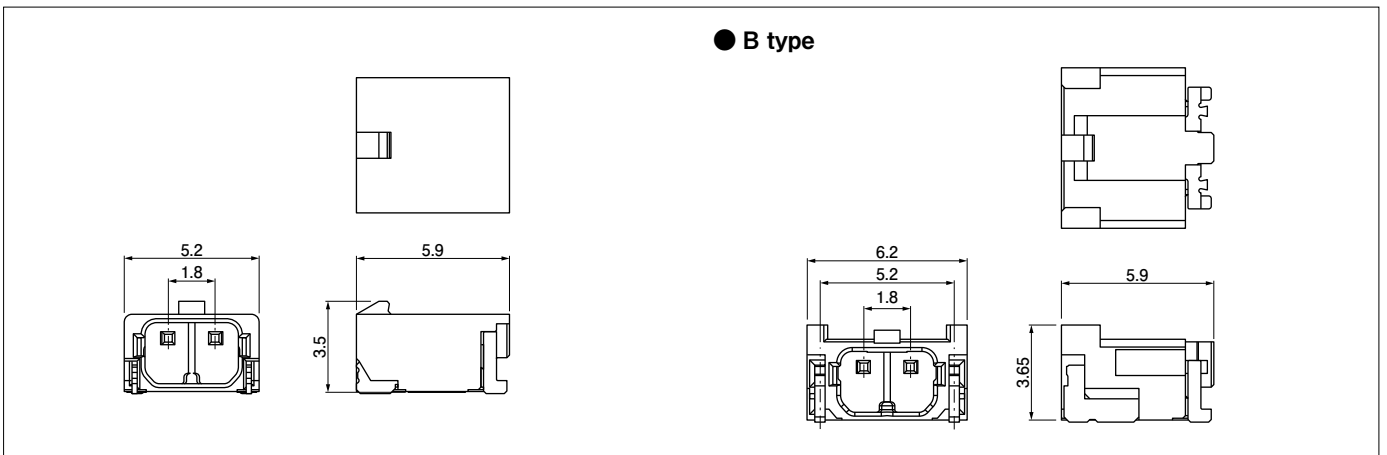


| No. of circuits | Model No.  | Q'ty/bag |
|-----------------|------------|----------|
| 2               | SFKR-02V-S | 2,000    |

| Material                        |  |  |
|---------------------------------|--|--|
| PA 66, UL94V-0, natural (white) |  |  |

RoHS compliance

## Header



| No. of circuits | Model No.     | Q'ty/reel |
|-----------------|---------------|-----------|
| 2               | SM02B-SFKH-TF | 3,000     |

| Material and Finish   |  |  |
|---|--|--|
| Press pin: Brass, copper-undercoated, tin-plated (reflow treatment)   |  |  |
| Wafer: PA 6T, UL94V-0, gray   |  |  |
| Solder tail: Brass, copper-undercoated, tin-plated (reflow treatment) |  |  |

RoHS compliance

Note: The product listed above is supplied on embossed-tape.

● B type

| No. of circuits | Model No.       | Q'ty/reel |
|-----------------|-----------------|-----------|
| 2               | SM02B-SFKBS3-TF | 3,000     |

| Material and Finish   |  |  |
|---|--|--|
| Press pin: Brass, copper-undercoated, tin-plated (reflow treatment)   |  |  |
| Wafer: PA 4T, UL94V-0, natural  |  |  |
| Solder tail: Brass, copper-undercoated, tin-plated (reflow treatment) |  |  |

RoHS compliance

Note: The product listed above is supplied on embossed-tape.

# SFK CONNECTOR

## Model number allocation

### Contact

**S SFH - 001 T - P 0.5**

Form: S...Strip form

Series name

Applicable wire range: 001...AWG #26 to #22  
002...AWG #30 to #26

Surface finish: T...Tin-plated (reflow treatment)

Material: P...Copper alloy

Terminal size

### Housing

**SFK R - 02 V - S**

Series name

Part name: Receptacle

No. of circuits: 2

Flammability: V...UL94V-0

Color: S...Natural (White)

### Header

**SM 02 B - SFK H - TF**

Shape of assembled product:  
SM...SMT side entry type

No. of circuits: 2

Part name: Header

Series name

Color: H...Gray

Packaging style: TF...Embossed-taping

### Header (B type)

**SM 02 B - SFKB S 3 - TF**

Shape of assembled product:  
SM...SMT side entry type

No. of circuits: 2

Part name: Header

Series name

Color: S...Natural

Resin material: PA 4T

Packaging style: TF...Embossed-taping

单击下面可查看定价，库存，交付和生命周期等信息

[>>JST\(杰世腾\)](#)