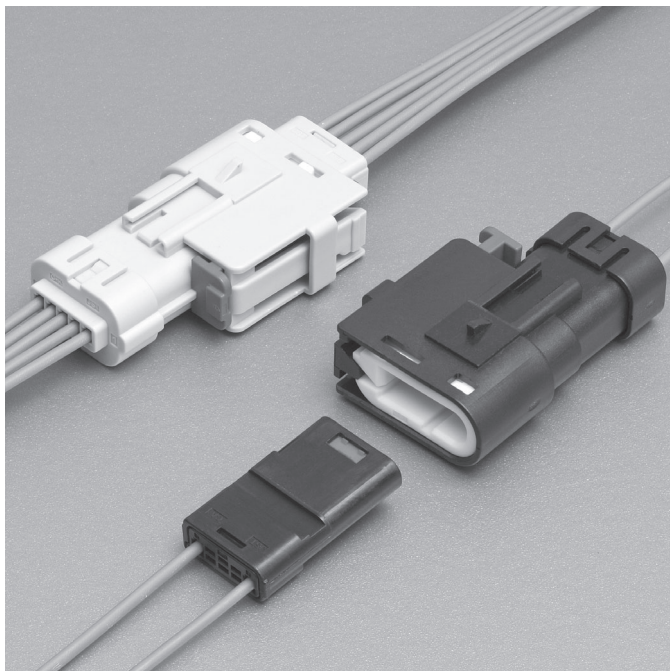
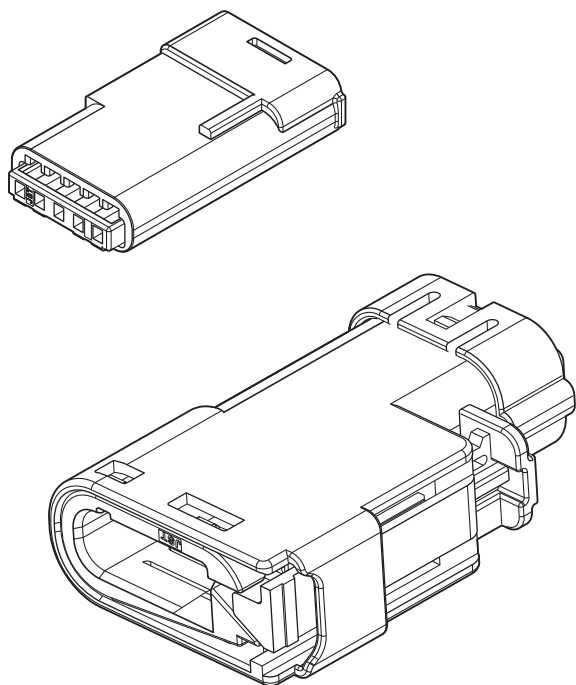


# SRV CONNECTOR

Wire-to-wire/Sealed Connectors



1.2 Sealed Connector



## ■ Features

- 2 circuits to 5 circuits, Wire-to-Wire Connection
- Connector Position Assurance (CPA) Mechanism
- Sealed Inline Connector
- 1.2 Clean Body Terminals
- Designed for Small Packaging

## ■ Specifications

- Current rating: 7 A AC, DC max.
- Voltage rating: 14 V AC, DC
- Temperature range: -40°C to +125°C  
(including temperature rise in applying electrical current)
- Contact resistance: Initial value/ 8.0 mΩ max.  
After environmental tests/ 8.0 mΩ max.
- Insulation resistance: 100 MΩ min.
- Withstanding voltage: 1,000 VAC/minute
- Applicable wire: FLR2X-B  
0.35 mm<sup>2</sup> to 0.75 mm<sup>2</sup>

\* Compliant with ELV/RoHS .  
\* Contact JST for details.

## Female terminal

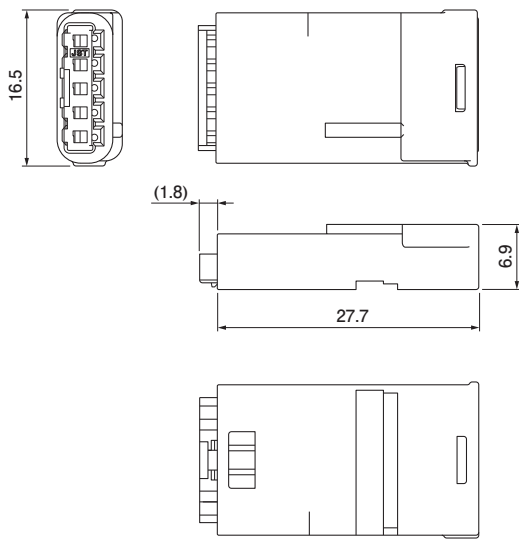
| Model No.               | Applicable wire range        |                      |           |
|-------------------------|------------------------------|----------------------|-----------|
|                         | Conductor (mm <sup>2</sup> ) | Insulation O.D. (mm) | Gage Size |
| 1670144-1 or equivalent | 0.5 to 0.75                  | 1.4 to 1.9           | 18-20AWG  |
| 1534594-1 or equivalent | 0.35                         | 1.2 to 1.4           | 22AWG     |

### Material and Finish

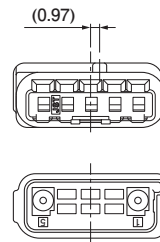
Copper alloy, tin-plated (refer to TE Connectivity for details)

Note: Contact JST for details.

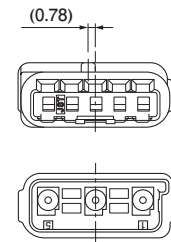
## Female connector



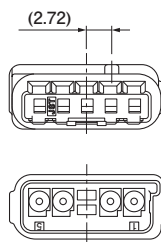
### ●2 circuits (Key D)



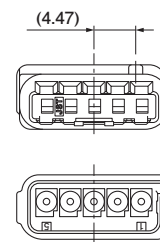
### ●3 circuits (Key C)



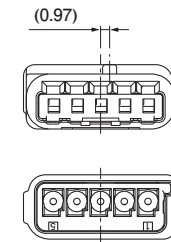
### ●4 circuits (Key B)



### ●5 circuits (Key A)



### ●5 circuits (Key D)



| Circuits | Model No.   | Key | Q'ty/box | Color of Housing and Back Cover |
|----------|-------------|-----|----------|---------------------------------|
| 2        | SRVPB-D02-K | D   | 6,000    | Black                           |
| 3        | SRVPB-C03-N | C   | 6,000    | Brown                           |
| 4        | SRVPB-B04-S | B   | 6,000    | Natural                         |
| 5        | SRVPB-A05-H | A   | 6,000    | Light gray                      |
| 5        | SRVPB-D05-K | D   | 6,000    | Black                           |

### Material and Finish

Housing: Glass-filled PBT  
 TPA: Glass-filled PBT, Red  
 Matte seal: Silicone, Green  
 Back cover: Glass-filled PBT

# SRV CONNECTOR

## Male terminal

| Model No.               | Applicable wire range        |                      |           |
|-------------------------|------------------------------|----------------------|-----------|
|                         | Conductor (mm <sup>2</sup> ) | Insulation O.D. (mm) | Gage Size |
| 1718350-1 or equivalent | 0.5 to 0.75                  | 1.4 to 1.9           | 18-20AWG  |
| 1718348-1 or equivalent | 0.35                         | 1.2 to 1.4           | 22AWG     |

### Material and Finish

Copper alloy, tin-plated (refer to TE Connectivity for details)

Note: Contact JST for details.

## Male connector

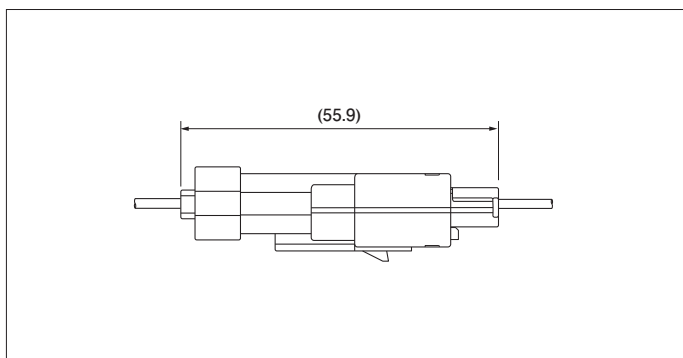
●2 circuits (Key D)    ●3 circuits (Key C)    ●4 circuits (Key B)

●5 circuits (Key A)    ●5 circuits (Key D)

| Circuits | Model No.     | Key | Q'ty/box | Color of Housing and Back Cover |
|----------|---------------|-----|----------|---------------------------------|
| 2        | SRVWSB-02A-DK | D   | 900      | Black                           |
| 3        | SRVWSB-03A-CN | C   | 900      | Brown                           |
| 4        | SRVWSB-04A-BS | B   | 900      | Natural                         |
| 5        | SRVWSB-05A-AH | A   | 900      | Light gray                      |
| 5        | SRVWSB-05A-DK | D   | 900      | Black                           |

**Material and Finish**  
Housing: Glass-filled PBT  
TPA: Glass-filled PBT, Red  
Ring seal: Silicone, Green  
Back cover: Glass-filled PBT  
CPA: Glass-filled PBT, Red  
Mat seal: Silicone, Green  
Retainer clip: Glass-filled PBT, Natural

## Assembly Layout



Note: Tolerances are non-cumulative: ±0.05 mm for all centers.