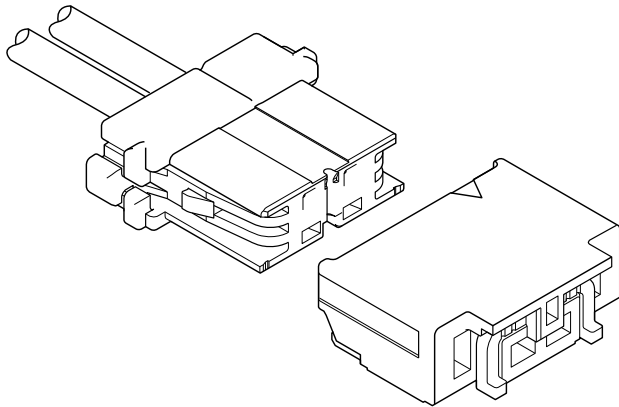


LEA CONNECTOR

1.8mm pitch/For LED Lamp/Disconnectable Crimp style connectors



Considering that the connector does not affect the luminescence angle of LED chip, this low profile type connector (height: 3mm) is designed for connection to LED lamp and realized space saving. A secure locking mechanism is arranged to this connector in order to consider the handling of wire in actual use, although this is a low profile.

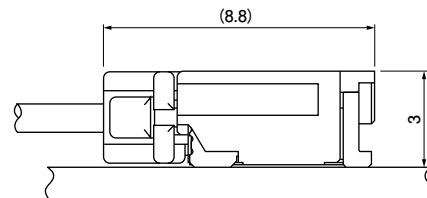
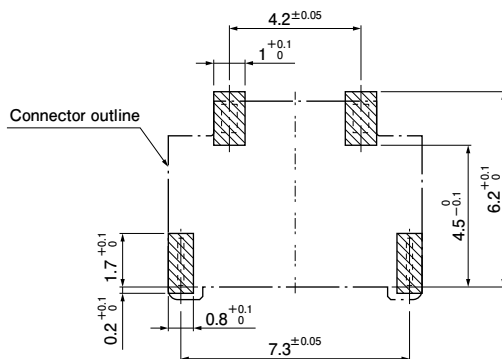
- Secure locking mechanism
- Mechanism for preventing inverse insertion
- Contact lance

Specifications

- Current rating: 3A AC, DC (AWG #22)
 - Voltage rating: 300V AC, DC
 - Temperature range: -55°C to +105°C
(including temperature rise in applying electrical current)
 - Contact resistance: Initial value/ 10mΩ max.
After environmental testing/ 20mΩ max.
 - Insulation resistance: 1,000MΩ min.
 - Withstanding voltage: 1,700V AC/minute
 - Applicable wire: Conductor size/ AWG #30 to #22
Insulation O.D./ 0.7 to 1.3mm
- * Compliant with RoHS.
* Halogen-free products are also available.
* Refer to "General Instruction and Notice when using Terminals and Connectors" at the end of this catalog.
* Contact JST for details.

Standards

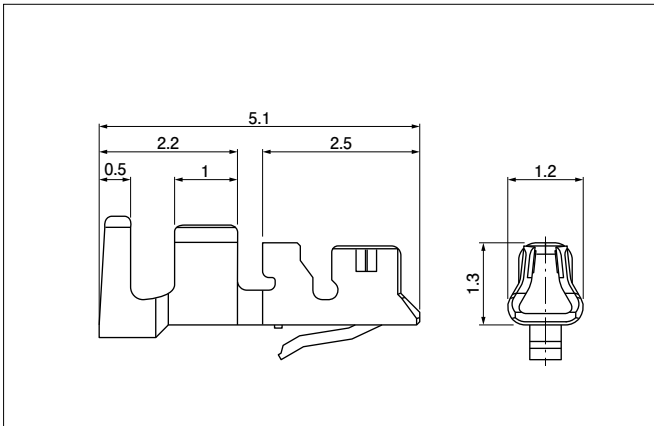
- ☑ Recognized E60389
- ☑ Certified LR20812



Note: 1. The above figure is the figure viewed from the connector mounting side.

2. Tolerances are non-cumulative: $\pm 0.05\text{mm}$ for all centers. The dimensions above should serve as a guideline. Contact JST for details.

Contact



Model No.	Applicable wire			Q'ty / reel
	mm ²	AWG#	Insulation O.D. (mm)	
SSFH-001T-P0.5	0.13 to 0.33	26 to 22	0.95 to 1.3	15,000
SSFH-002T-P0.5	0.05 to 0.13	30 to 26	0.7 to 1.25	15,000

Material and Finish

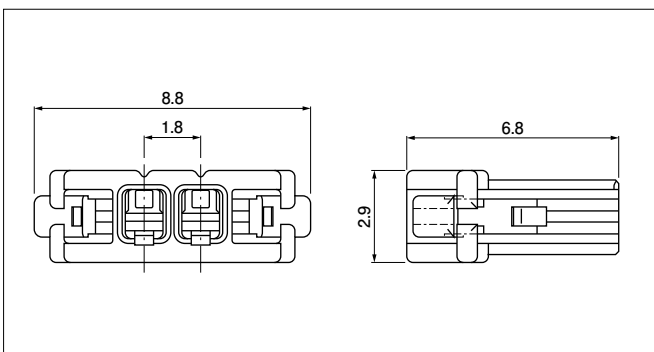
Copper alloy, tin-plated (reflow treatment)

RoHS compliance

Contact	Crimping machine	Applicator		
		Crimp applicator	Dies	Crimp applicator with dies
SSFH-001T-P0.5	AP-K2N	MKS-L	MK/SSFH-001-05	APLMK SSFH001-05
		—	—	—
SSFH-002T-P0.5		MKS-L	MK/SSFH-002-05	APLMK SSFH002-05
		—	—	—

Note: Contact JST for fully automatic crimping applicator.

Housing



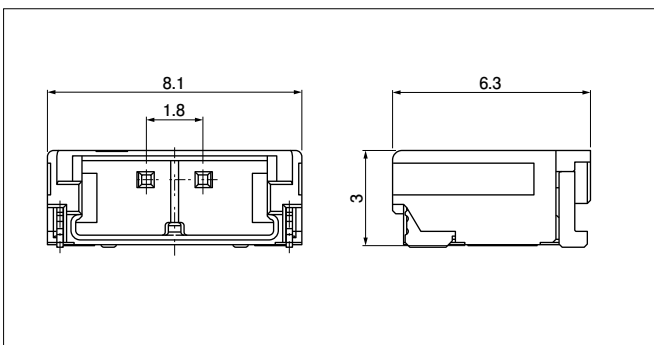
No. of circuits	Model No.	Q'ty / bag
2	LEAR-02V-S	2,000

Material

PBT, UL94V-0, natural

RoHS compliance

Header



No. of circuits	Model No.	Q'ty / reel
2	SM02B-LEASS-TF	2,000

Material and Finish

Post: Copper alloy, copper-undercoated, tin-plated (reflow treatment)
Housing: PA 9T, UL94V-0, white
Solder tab: Copper alloy, copper-undercoated, tin-plated (reflow treatment)

RoHS compliance This product displays (LF)(SN) on a label.
Note: The products listed above are supplied on embossed-tape.

LEA CONNECTOR

Model number allocation

Contact

S SFH -001 T - P 0.5

Form: S...Strip form

Series name

Applicable wire range: 001...AWG #26 to #22
002...AWG #30 to #26

Surface finish: T...Tin-plated (reflow treatment)

Material: P...Copper alloy

Terminal size

Housing

LEA R - 02 V - S

Series name

Part name: Receptacle

No. of circuits: 2

Flammability: V...UL94V-0

Color: S...Natural

Header

SM 02 B - LEA S S - TF

Shape of assembled product:
SM...SMT Side entry type

No. of circuits: 2

Part name: Header

Series name

Color: S...White

Indication of clinch: S...Straight pin

Packaging style: TF...Embossed-taping

单击下面可查看定价，库存，交付和生命周期等信息

[>>JST\(杰世腾\)](#)