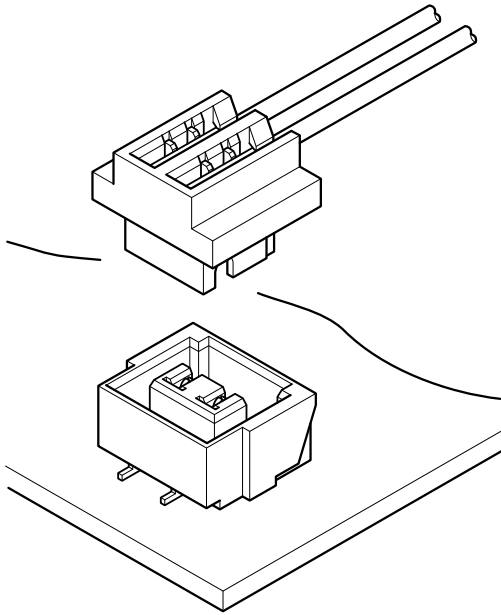




# ASR CONNECTOR



1.0mm pitch/Disconnectable Insulation displacement connectors



- Compact
- Twin U-slot insulation displacement section
- 3-point grip construction
- Header designed for vacuum pick and place robotics

## Specifications

- Current rating: 0.7 A DC
- Voltage rating: 50 V DC
- Temperature range: -25°C to +85°C  
(including temperature rise in applying electrical current)
- Contact resistance: Initial value/ 30 mΩ max.  
After environmental testing/ 40 mΩ max.
- Insulation resistance: 100 MΩ min.
- Withstanding voltage: 500 VAC/minute
- Applicable wire: Conductor size/AWG #30  
Conductor/ 7 strands,  
tin-coated annealed copper  
Insulation O.D./ 0.54 to 0.58 mm

\* Refer to "General Instruction and Notice when using Terminals and Connectors" at the end of this catalog.

\* Contact JST for details.

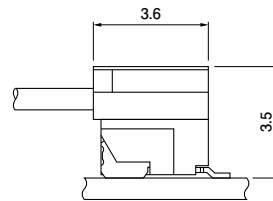
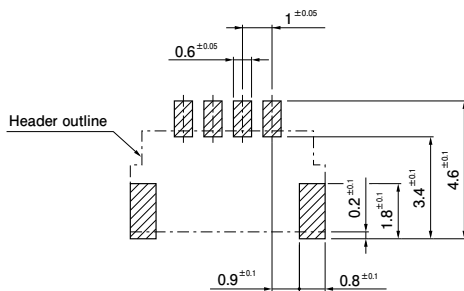
\* Compliant with RoHS.

## Standards

Ⓜ Recognized E60389

Ⓢ Certified LR20812

### PC board layout (viewed from component side) and Assembly layout

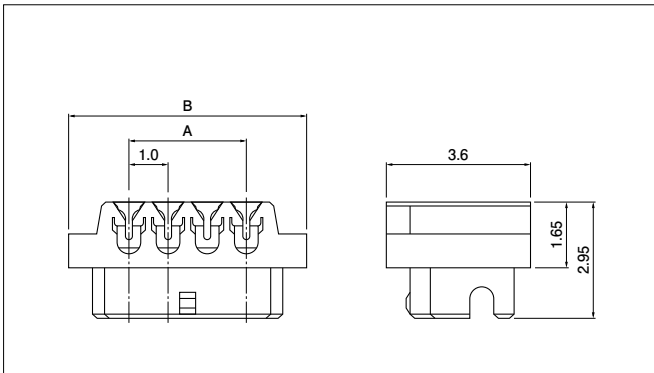


Note: 1. Tolerances are non-cumulative: ± 0.05mm for all centers.

2. The dimensions above should serve as a guideline. Contact JST for details.

# ASR CONNECTOR

## Socket



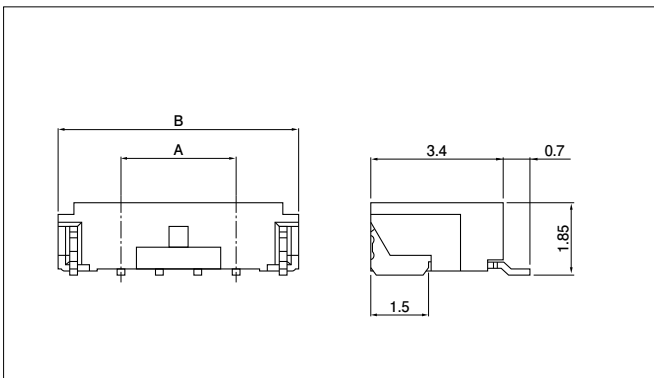
No. of circuits	Model No.	Dimensions (mm)		Q'ty / box
		A	B	
2	02ASR-30S	1.0	4.0	3,000
3	03ASR-30S	2.0	5.0	3,000
4	04ASR-30S	3.0	6.0	3,000

### Material and Finish

Contact: Phosphor bronze, tin-plated (reflow treatment)  
Housing: Glass-filled PA 66, UL94V-0, natural

RoHS compliance

## Header



No. of circuits	Model No.	Dimensions (mm)		Q'ty / reel
		A	B	
2	BM02B-ASRS-TF	1.0	4.4	3,500
3	BM03B-ASRS-TF	2.0	5.4	3,500
4	BM04B-ASRS-TF	3.0	6.4	3,500

### Material and Finish

Contact: Phosphor bronze, copper-undercoated, tin-plated (reflow treatment)  
Wafer: PA 6T, UL94V-0, natural  
Solder tab: Brass, copper-undercoated, tin-plated (reflow treatment)

RoHS compliance This product displays (LF)(SN) on a label.  
Note: The products listed above are supplied on embossed-tape.

## Model number allocation

### Socket

**02 ASR - 30S**

No. of circuits: 2, 3, 4  
Series name  
Applicable wire range: 30...AWG #30  
Color: S...Natural, K...Black

### Header

**BM 02 B - ASR S - TF**

Shape of assembled product:  
BM...SMT top entry type  
No. of circuits: 2, 3, 4  
Part name: Header  
Series name  
Color: S...Natural, K...Black  
Packaging style: TF...Embossed-taping

单击下面可查看定价，库存，交付和生命周期等信息

[>>JST\(杰世腾\)](#)