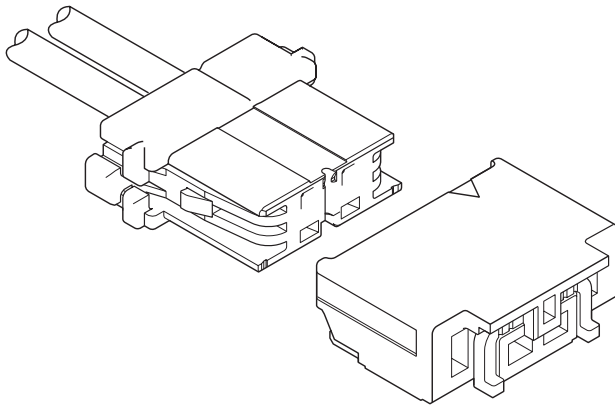


LEA CONNECTOR

1.8mm pitch/For LED Lamp/Disconnectable Crimp style connectors



Considering that the connector does not affect the luminescence angle of LED chip, this low profile type connector (height: 3mm) is designed for connection to LED lamp and realized space saving. A secure locking mechanism is arranged to this connector in order to consider the handling of wire in actual use, although this is a low profile.

- Secure locking mechanism
- Mechanism for preventing inverse insertion
- Contact lance

Specifications

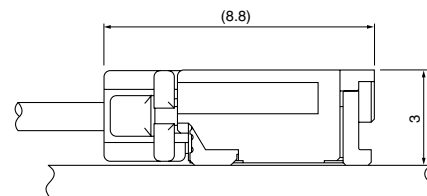
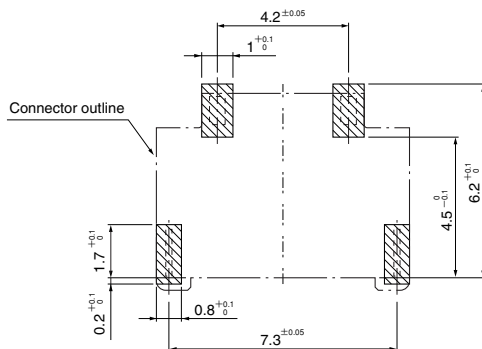
- Current rating: 3A AC, DC (AWG #22)
- Voltage rating: 300V AC, DC
- Temperature range: -55°C to +105°C
(including temperature rise in applying electrical current)
- Contact resistance: Initial value/ 10m Ω max.
After environmental testing/ 20m Ω max.
- Insulation resistance: 1,000M Ω min.
- Withstanding voltage: 1,700V AC/minute
- Applicable wire: Conductor size/ AWG #30 to #22
Insulation O.D./ 0.7 to 1.3mm

- * Compliant with RoHS.
- * Halogen-free products are also available.
- * Refer to "General Instruction and Notice when using Terminals and Connectors" at the end of this catalog.
- * Contact JST for details.

Standards

Recognized E60389

Certified LR20812

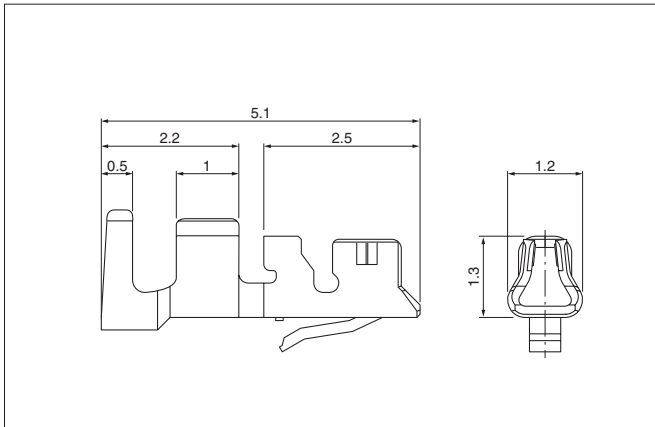


Note: 1. The above figure is the figure viewed from the connector mounting side.

2. Tolerances are non-cumulative: $\pm 0.05\text{mm}$ for all centers. The dimensions above should serve as a guideline. Contact JST for details.

LEA CONNECTOR

Contact



Model No.	Applicable wire			Q'ty / reel
	mm ²	AWG#	Insulation O.D. (mm)	
SSFH-001T-P0.5	0.13~0.33	26~22	0.95~1.3	15,000
SSFH-002T-P0.5	0.05~0.13	30~26	0.7~1.25	15,000

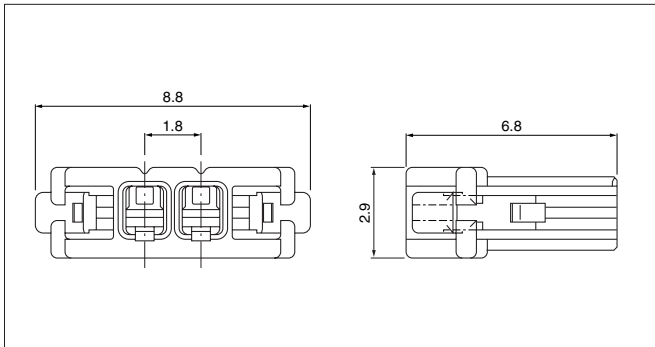
Material and Finish

Copper alloy, tin-plated (reflow treatment)

RoHS compliance

Contact	Crimping machine	Applicator		
		Crimp applicator	Dies	Crimp applicator with dies
SSFH-001T-P0.5	AP-K2N	MKS-L	MK/SSFH-001-05	APLMK SSFH001-05
		—	—	—
SSFH-002T-P0.5	AP-K2N	MKS-L	MK/SSFH-002-05	APLMK SSFH002-05
		—	—	—

Housing



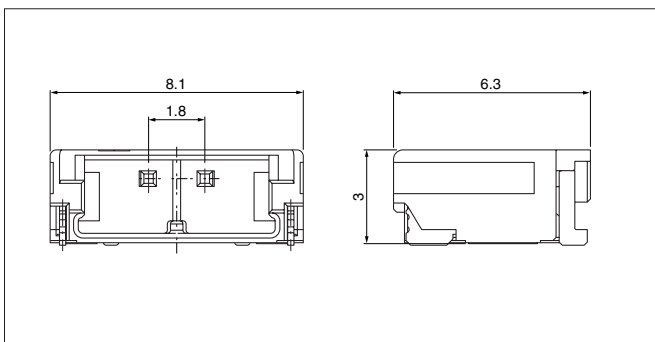
Circuits	Model No.	Q'ty / bag
2	LEAR-02V-S	2,000

Material

PBT, UL94V-0, natural

RoHS compliance

Shrouded header



Circuits	Model No.	Q'ty / reel
2	SM02B-LEASS-TF	2,000

Material and Finish

Post: Copper alloy, copper-undercoated, tin-plated (reflow treatment)
Housing: PA 9T, UL94V-0, white
Solder tab: Copper alloy, copper-undercoated, tin-plated (reflow treatment)

RoHS compliance This product displays (LF)(SN) on a label.
Note: The products listed above are supplied on embossed-tape.

单击下面可查看定价，库存，交付和生命周期等信息

[>>JST\(日本压着端子製造株式会社\)](#)