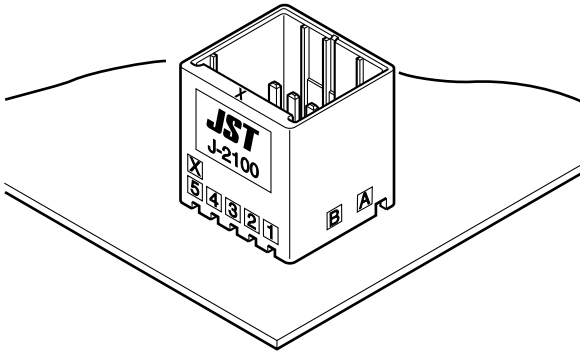
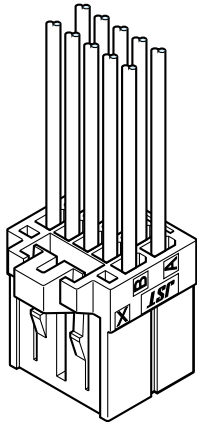


# JFA CONNECTOR J2000 SERIES

2.5/3.5 mm pitch/Disconnectable crimp style connectors (Wire-to-board/Wire-to-wire)



Connectors for miniaturization of electronic equipment.

Center locking and side locking options can be used depending on the required application.

Receptacle and tab contacts are designed to be common with all JFA connector J2000 series.

- Dual-spring construction
- 2 kinds of locking method
- Housing lance
- Clear “click feeling”

## Standards

Ⓜ : Recognized E 60389

△ : J50209682

## Specifications

- Current rating: AC/DC

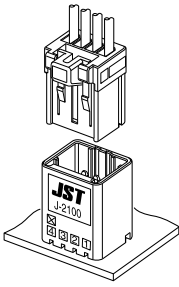
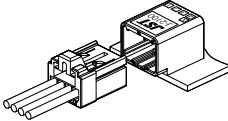
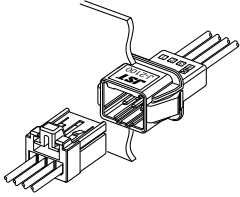
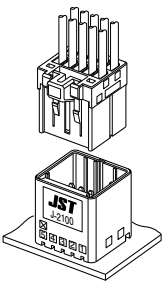
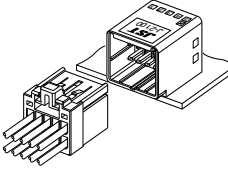
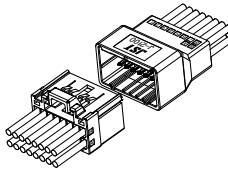
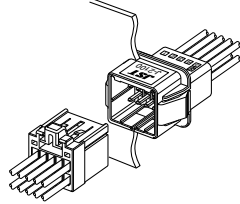
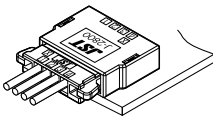
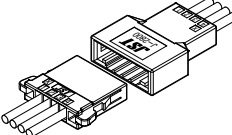
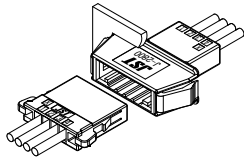
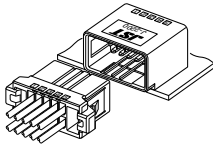
Current unit: A

No. of circuits	Wire size (AWG)				
	#20	#22	#24	#26	#28
3	4.6	4.4	3.4	3.0	2.4
4	4.5	4.3	3.2	2.8	2.3
6	4.3	4.1	2.8	2.6	2.1
8	4.1	3.6	2.6	2.3	1.9
10	3.9	3.4	2.5	2.2	1.8
12	3.6	3.1	2.4	2.0	1.6
16	3.2	2.8	2.2	1.8	1.4
20	2.9	2.5	2.1	1.7	1.3
30	2.8	2.4	2.0	1.6	1.2
40	2.7	2.3	1.9	1.5	1.1

- Voltage rating: 125 V AC/DC...J2300 Series  
250 V AC/DC...J2100, J2200, J2400,  
J2500, J2800 Series
- Temperature range: -55°C to +105°C  
(including temperature rise in applying electrical current)
- Applicable wire: AWG #28 to #20
- Applicable PC board thickness: 1.6 mm
- \* Please note that the above general specifications may differ from the safety standards.
- \* Refer to each page for the specifications of the Common, Sensor type (J2300) and Common type (J2500).
- \* In using the products, refer to "Handling Precautions for Terminals and Connectors" described on our website (Technical documents of Product information page).
- \* RoHS2 compliance
- \* Dimensional unit: mm
- \* Contact JST for details.

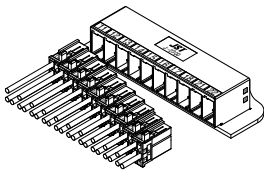
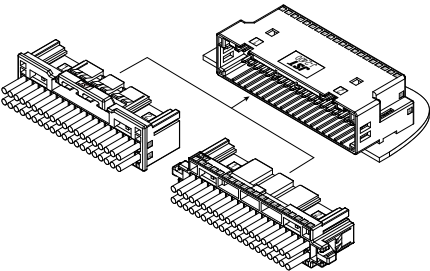
# JFA CONNECTOR / J2000 SERIES

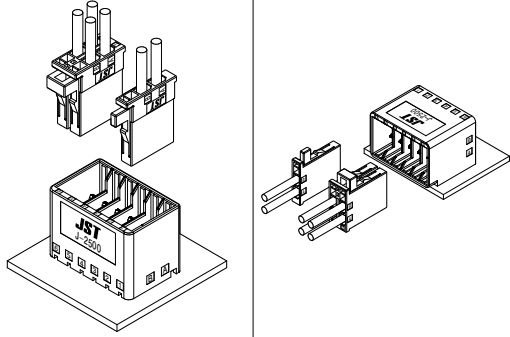
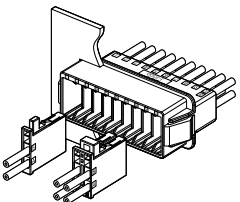
## J2000 Series products line-up

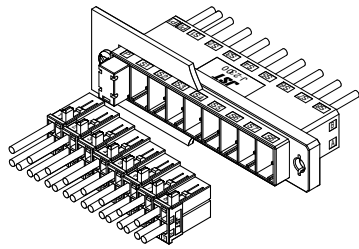
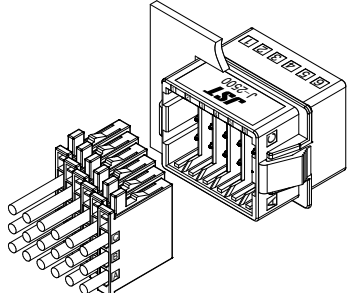
Type		2.5 mm pitch 250 V AC/DC			
		Wire-to-board		Wire-to-wire	
		Top entry type	Side entry type	Free hanging type	Panel mounting type
Center locking type	J2100 Single-row type				
	No. of circuits	3, 4	3, 4		3, 4
	J2100 Dual-row type				
	No. of circuits	6, 8, 10, 12, 16, 20	6, 8, 10, 12, 16, 20	16	6, 8, 10, 12, 16, 20
Side locking type (Thin type)	J2800 Single-row type				
	No. of circuits		4	4	4
Side locking type	J2200 Dual-row type				
	No. of circuits		10		

# JFA CONNECTOR / J2000 SERIES

## J2000 Series products line-up

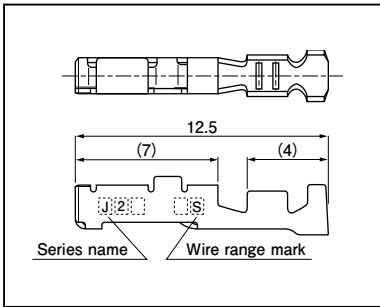
Type		2.5 mm pitch 125 V AC/DC		Type		2.5 mm pitch 250 V AC/DC	
		Wire-to-board Side entry type				Wire-to-board Side entry type	
Module type	J2300 Dual-row type			Hybrid type	J2400 Dual-row type		
	No. of circuits	30				No. of circuits	40

Type		3.5 mm pitch 250 V AC/DC			
		Wire-to-board		Wire-to-wire	
		Top entry type	Side entry type	Free hanging type	Panel mounting type
Module type	J2500 Dual-row type				
	No. of circuits	12, 20	12, 20		

Type		2.5 mm pitch 125 V AC/DC		Type		3.5 mm pitch 250 V AC/DC	
		Panel mounting Screw type				Panel mounting type	
Common, Sensor type	J2300 Dual-row type			Common type	J2500 Triple-row type		
	No. of circuits	Power Input: 2 Power Output: 16 (Common output) Sensor Input/Output: 8				No. of circuits	18

# JFA CONNECTOR / J2000 SERIES

## Receptacle contact



Model No.		Applicable wire			Insulation O.D. (mm)	Q'ty	
Strip contact	Loose piece	Wire range mark	mm <sup>2</sup>	AWG#		Reel	Box (Loose piece)
SJ2F-002(*)-P1.0	—	S	0.08~0.20	28~24	0.88~1.43	6,000	—
SJ2F-01(*)-P1.0	—	M	0.20~0.50	24~20	1.11~1.53	6,000	—
SJ2F-21(*)-P1.0	BJ2F-21(*)-P1.0	L	0.30~0.75	22~20	1.30~1.90	5,000	2,000

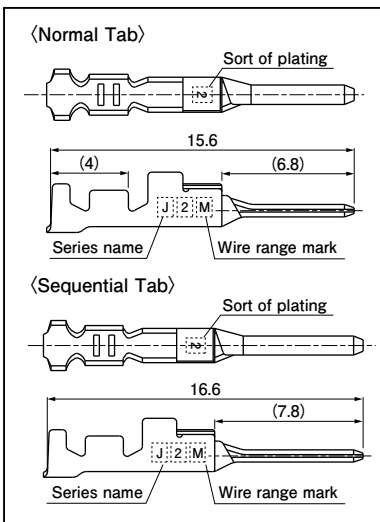
### Material and Finish

Copper alloy (superior conductivity), nickel-undercoated, selective gold-plated

### RoHS2 compliance

Note: 1. Surface finish (\*): GF...Nickel-undercoated, 0.38 μm selective gold-plated  
GI...Nickel-undercoated, 0.76 μm selective gold-plated  
2. Please note that the above general specifications may differ from the safety standards.

## Tab contact



Model No.		Applicable wire			Insulation O.D. (mm)	Q'ty		
Strip contact	Loose piece	Wire range mark	mm <sup>2</sup>	AWG#		Reel	Box (Loose piece)	
Normal	SJ2M-002(*)-M1.0N	—	S	0.08~0.20	28~24	0.88~1.43	5,500	—
	SJ2M-01(*)-M1.0N	—	M	0.20~0.50	24~20	1.11~1.53	5,500	—
	SJ2M-21(*)-M1.0N	BJ2M-21(*)-M1.0N	L	0.30~0.75	22~20	1.30~1.90	5,000	2,000
Sequential	SJ2M-01(*)-M1.0S	—	M	0.20~0.50	24~20	1.11~1.53	5,500	—
	SJ2M-21(*)-M1.0S	BJ2M-21(*)-M1.0S	L	0.30~0.75	22~20	1.30~1.90	5,000	2,000

### Material and Finish

Copper alloy (superior conductivity), nickel-undercoated, selective gold-plated

### RoHS2 compliance

Note: 1. Surface finish (\*): GF...Nickel-undercoated, 0.38 μm selective gold-plated  
GI...Nickel-undercoated, 0.76 μm selective gold-plated  
2. Please note that the above general specifications may differ from the safety standards.

## Crimping machine, Applicator

Strip contact Model No.	Crimping machine	Applicator			Hand tool
		Crimping machine	Dies	Crimp applicator with dies	
SJ2F-002(*)-P1.0 SJ2M-002(*)-M1.0N	AP-K2N	MKS-L	MK/SJ2F/M-002-10	APLMK SJ2F/M002-10	YRS-8851 YRK-8852
SJ2F-01(*)-P1.0 SJ2M-01(*)-M1.0N SJ2M-01(*)-M1.0S	AP-K2N	MKS-L	MK/SJ2F/M-01-10	APLMK SJ2F/M01-10	YRS-8861 YRK-8863
SJ2F-21(*)-P1.0 SJ2M-21(*)-M1.0N SJ2M-21(*)-M1.0S	AP-K2N	MKS-L	MK/SJ2F/M-21-10	APLMK SJ2F/M21-10	YRK-1120

Note: 1. Contact JST for fully automatic crimping applicator.

Loose piece contact	Hand tool
BJ2F-21(*)-P1.0 BJ2M-21(*)-M1.0N BJ2M-21(*)-M1.0S	YRF-1120

• For details on the YRK series of hand tools that use the strip contacts, refer to the list of "Crimping Machines and Tools" on our website (Technical documents of Product information page).

• Extraction tool for J2000 series: EJ-JFAJ2N

Note: 2. Surface finish (\*):

GF...Nickel-undercoated, 0.38 μm selective gold-plated  
GI...Nickel-undercoated, 0.76 μm selective gold-plated

## Recognition mark

### • Plating of the contact

Each contact has a marking on its side or top side so that the type or thickness of the plating is recognized.

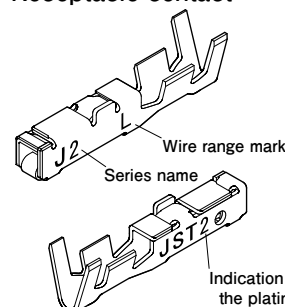
- 2 ... gold-plated 0.38 μm thickness
- 3 ... gold-plated 0.76 μm thickness

### • Common marking on the contact and its application tools

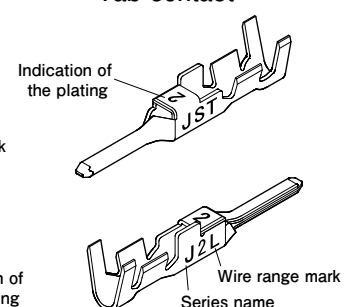
In order to avoid incorrect combination of the hand crimp tools or extraction tools and the contacts, the series name (for example J-2) and wire range mark (S, M, L) are shown on both the tools and the contacts.

- J-2 S.....AWG #28 to #24
- M.....AWG #24 to #20
- L.....AWG #22 to #20

### Receptacle contact

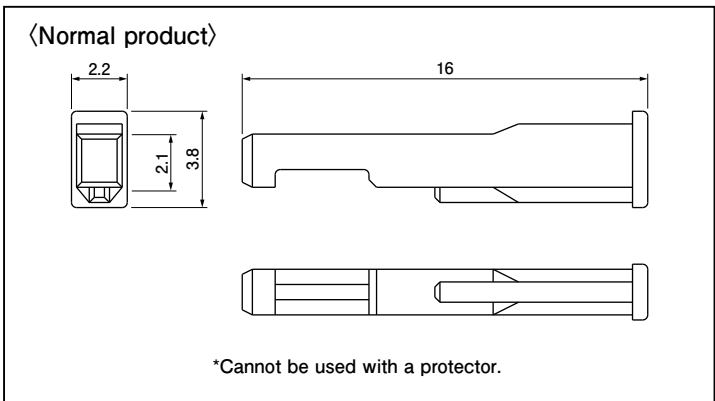


### Tab contact



# JFA CONNECTOR / J2000 SERIES

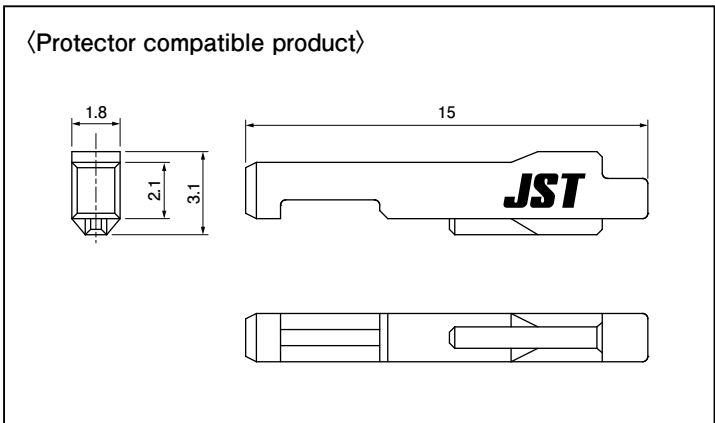
## Keying plug



Model No.	Q'ty/box
J2KP-VY	500

Material and Finish
Glass-filled PBT, UL94V-0, yellow

RoHS2 compliance

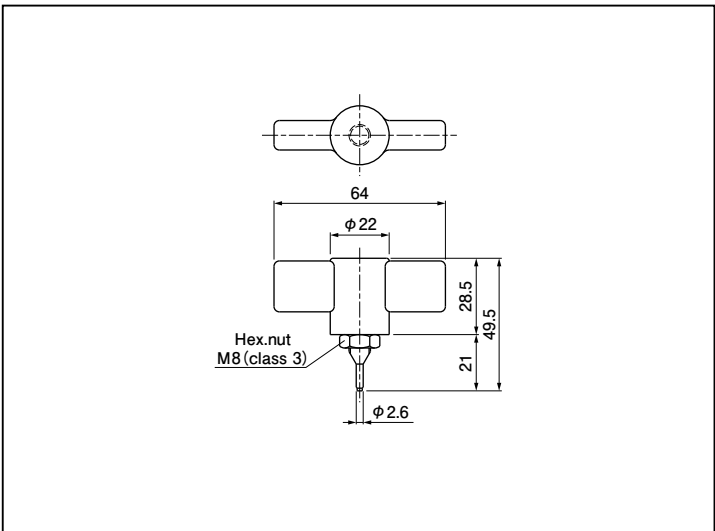


Model No.	Q'ty/box
J2KP-VY-A	500

Material and Finish
Glass-filled PBT, UL94V-0, yellow

RoHS2 compliance  
Note: Unlisted in UL.

## Tab contact cutting jig



Model No.
CT-JFAJ2

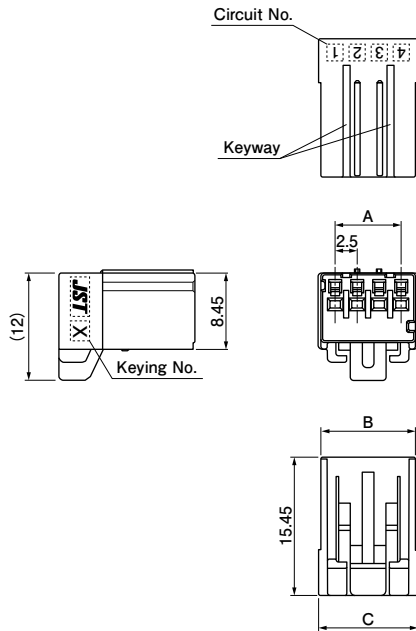
Note: Unlisted in UL/TÜV.

## Assembly layout

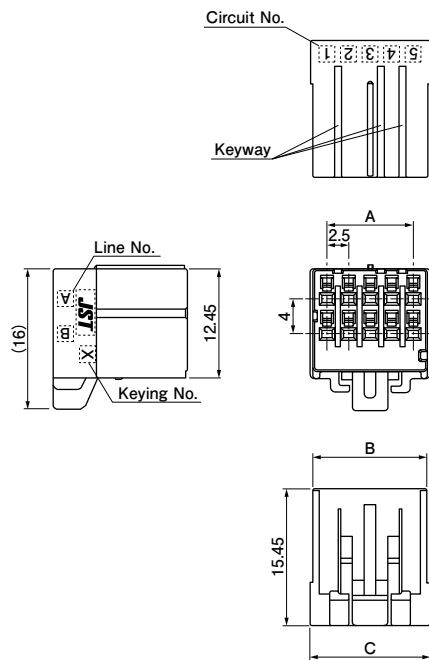
Single-row type	Wire-to-board	<p>〈Top entry type〉</p>	<p>〈Side entry type〉</p>
	Wire-to-wire	<p>〈Panel mounting type〉</p>	
Dual-row type	Wire-to-board	<p>〈Top entry type〉</p>	<p>〈Side entry type〉</p>
	Wire-to-wire	<p>〈Free hanging type〉</p>	<p>〈Panel mounting type〉</p>

## Receptacle housing (Long keying type)

(Single-row type)



(Dual-row type)



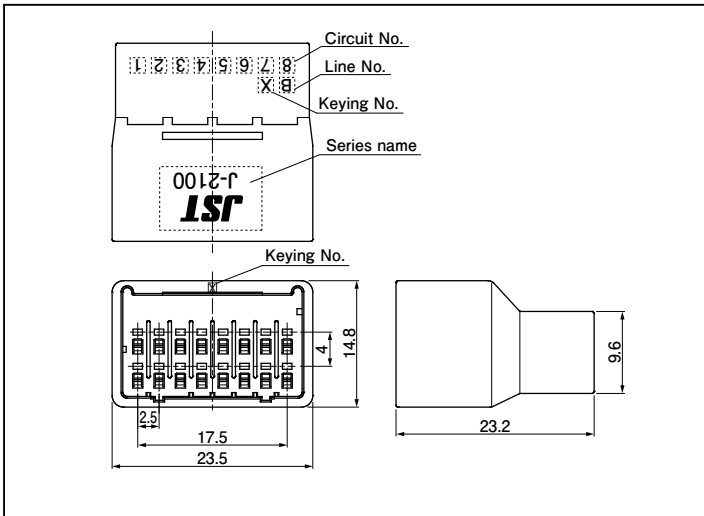
Type	No. of circuits	Keying	Model No.	Dimensions (mm)			Q'ty/bag
				A	B	C	
Single-row type	3	X	J21SF-03V-KX-L	5.0	8.3	8.9	400
		Y	J21SF-03V-KY-L	5.0	8.3	8.9	400
	4	X	J21SF-04V-KX-L	7.5	10.8	11.4	400
		Y	J21SF-04V-KY-L	7.5	10.8	11.4	400
Dual-row type	6	X	J21DF-06V-KX-L	5.0	8.3	8.9	300
		Y	J21DF-06V-KY-L	5.0	8.3	8.9	300
	8	X	J21DF-08V-KX-L	7.5	10.8	11.4	300
		Y	J21DF-08V-KY-L	7.5	10.8	11.4	300
	10	X	J21DF-10V-KX-L	10.0	13.3	13.9	200
		Y	J21DF-10V-KY-L	10.0	13.3	13.9	200
	12	X	J21DF-12V-KX-L	12.5	15.8	16.4	200
		Y	J21DF-12V-KY-L	12.5	15.8	16.4	200
	16	X	J21DF-16V-KX-L	17.5	20.8	21.4	200
		Y	J21DF-16V-KY-L	17.5	20.8	21.4	200
20	X	J21DF-20V-KX-L	22.5	25.8	26.4	100	
	Y	J21DF-20V-KY-L	22.5	25.8	26.4	100	

### Material and Finish

Glass-filled PBT, UL94V-0, black

RoHS2 compliance

## Tab housing (Free hanging type)



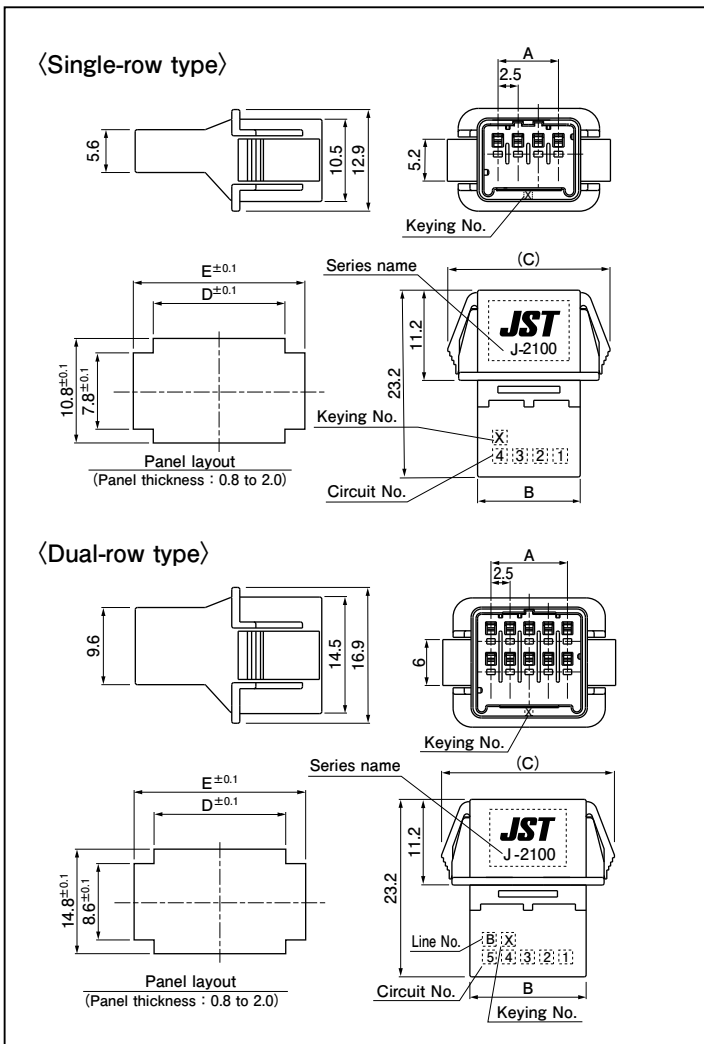
No. of circuits	Keying	Model No.	Q'ty/bag
16	X	J21DFM-16V-KX	-
	Y	J21DFM-16V-KY	-

### Material and Finish

Glass-filled PBT, UL94V-0, black

RoHS2 compliance  
Note: Unlisted in UL.

## Tab housing (Panel mounting type)



Type	No. of circuits	Keying	Model No.	Dimensions (mm)					Q'ty/bag
				A	B	C	D	E	
Single-row type	3	X	J21SPM-03V-KX	5.0	10.2	17.6	10.5	15.2	400
		Y	J21SPM-03V-KY	5.0	10.2	17.6	10.5	15.2	400
	4	X	J21SPM-04V-KX	7.5	12.7	20.1	13.0	17.7	400
		Y	J21SPM-04V-KY	7.5	12.7	20.1	13.0	17.7	400
Dual-row type	6	X	J21DPM-06V-KX	5.0	10.2	17.6	10.5	15.2	300
		Y	J21DPM-06V-KY	5.0	10.2	17.6	10.5	15.2	300
	8	X	J21DPM-08V-KX	7.5	12.7	20.1	13.0	17.7	200
		Y	J21DPM-08V-KY	7.5	12.7	20.1	13.0	17.7	200
	10	X	J21DPM-10V-KX	10.0	15.2	22.6	15.5	20.2	200
		Y	J21DPM-10V-KY	10.0	15.2	22.6	15.5	20.2	200
	12	X	J21DPM-12V-KX	12.5	17.7	25.1	18.0	22.2	200
		Y	J21DPM-12V-KY	12.5	17.7	25.1	18.0	22.2	200
	16	X	J21DPM-16V-KX	17.5	22.7	30.1	23.0	27.7	200
		Y	J21DPM-16V-KY	17.5	22.7	30.1	23.0	27.7	200
20	X	J21DPM-20V-KX	22.5	27.7	35.1	28.0	32.7	150	
	Y	J21DPM-20V-KY	22.5	27.7	35.1	28.0	32.7	150	

### Material and Finish

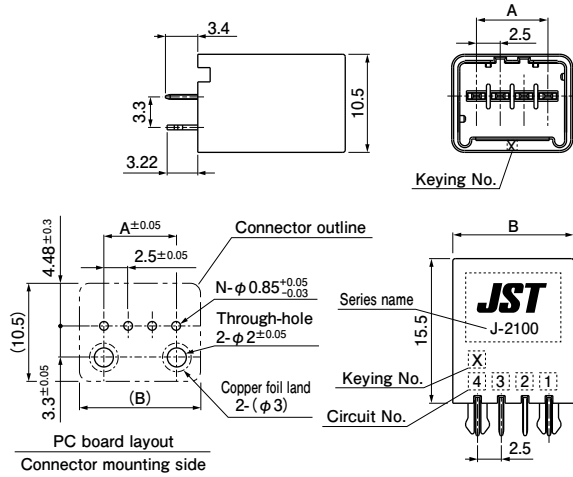
Glass-filled PBT, UL94V-0, black

RoHS2 compliance

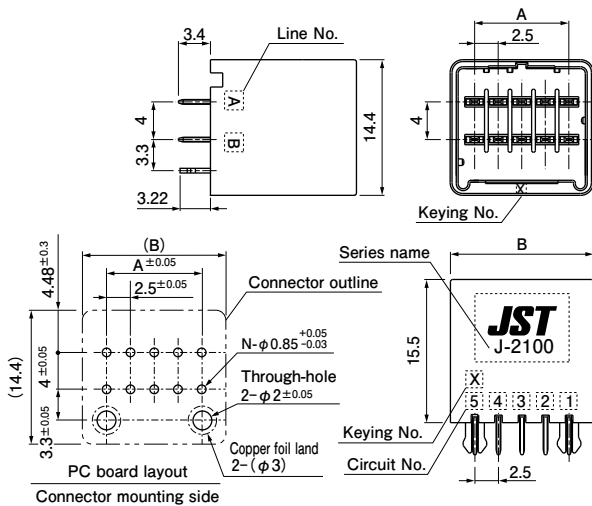


## Header (Top entry type)

### <Single-row type>



### <Dual-row type>



Type	No. of circuits	Keying	Model No.	Dimensions (mm)		Q'ty/box
				A	B	
Single-row type	3	X	B03B-J21SK-GGXR	5.0	10.2	378
		Y	B03B-J21SK-GGYR	5.0	10.2	378
	4	X	B04B-J21SK-GGXR	7.5	12.7	306
		Y	B04B-J21SK-GGYR	7.5	12.7	306
Dual-row type	6	X	B06B-J21DK-GGXR	5.0	10.2	252
		Y	B06B-J21DK-GGYR	5.0	10.2	252
	8	X	B08B-J21DK-GGXR	7.5	12.7	204
		Y	B08B-J21DK-GGYR	7.5	12.7	204
	10	X	B10B-J21DK-GGXR	10.0	15.2	168
		Y	B10B-J21DK-GGYR	10.0	15.2	168
	12	X	B12B-J21DK-GGXR	12.5	17.7	144
		Y	B12B-J21DK-GGYR	12.5	17.7	144
	16	X	B16B-J21DK-GGXR	17.5	22.7	108
		Y	B16B-J21DK-GGYR	17.5	22.7	108
20	X	B20B-J21DK-GGXR	22.5	27.7	84	
	Y	B20B-J21DK-GGYR	22.5	27.7	84	

### Material and Finish

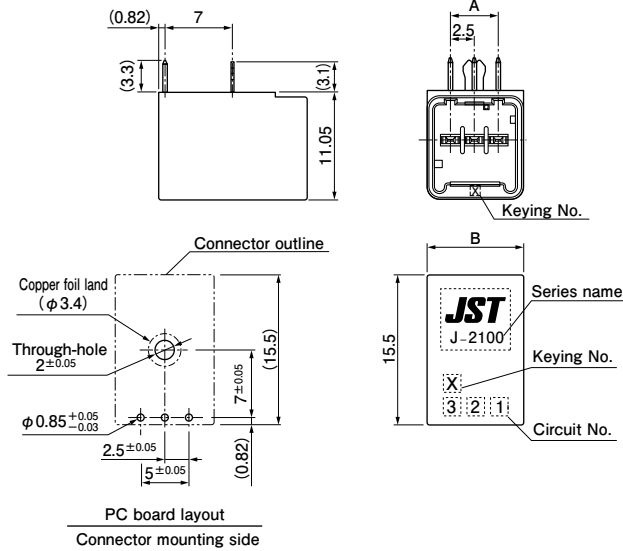
Tab contact : Copper alloy, nickel-undercoated, selective gold-plated  
Housing : Glass-filled PBT, UL94V-0, black  
Reinforcement : Copper alloy, nickel-undercoated, selective gold-plated

**RoHS2 compliance** This product displays (LF)(AU) on a label.  
Note: Contact JST for 0.76 μm gold-plated products.

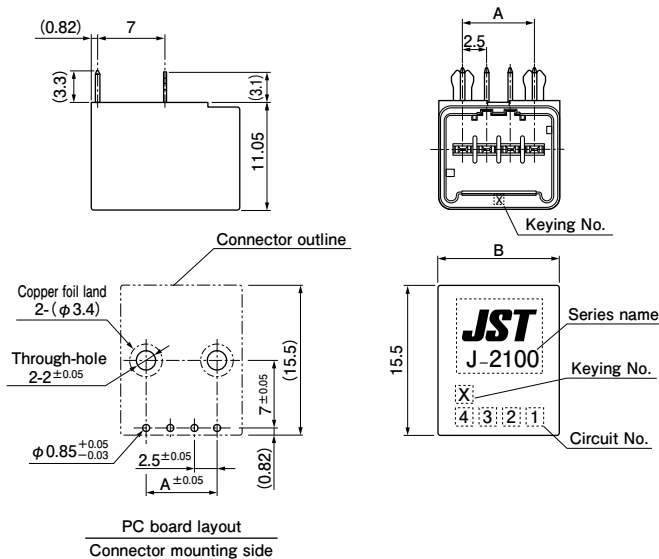
## Header (Side entry type)

### <Single-row type>

- 3 circuits



- 4 circuits



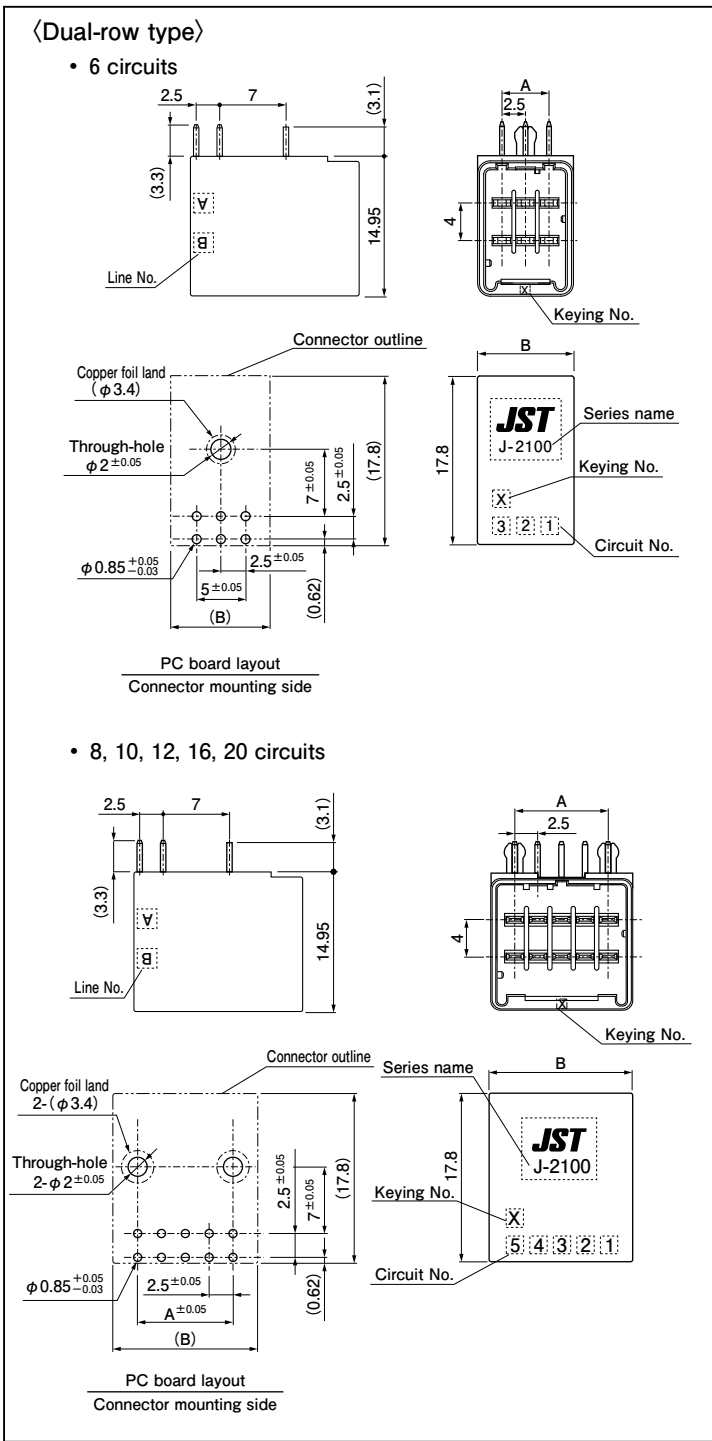
No. of circuits	Keying	Model No.	Dimensions (mm)		Q'ty/box
			A	B	
3	X	S03B-J21SK-GGXR	5.0	10.2	294
	Y	S03B-J21SK-GGYR	5.0	10.2	294
4	X	S04B-J21SK-GGXR	7.5	12.7	238
	Y	S04B-J21SK-GGYR	7.5	12.7	238

### Material and Finish

Tab contact : Copper alloy, nickel-undercoated, selective gold-plated  
Housing : Glass-filled PBT, UL94V-0, black  
Reinforcement : Copper alloy, nickel-undercoated, selective gold-plated

**RoHS2 compliance** This product displays (LF)(AU) on a label.  
Note: Contact JST for 0.76 μm gold-plated products.

## Header (Side entry type)



No. of circuits	Keying	Model No.	Dimensions (mm)		Q'ty/box
			A	B	
6	X	S06B-J21DK-GGXR	5.0	10.2	252
	Y	S06B-J21DK-GGYR	5.0	10.2	252
8	X	S08B-J21DK-GGXR	7.5	12.7	204
	Y	S08B-J21DK-GGYR	7.5	12.7	204
10	X	S10B-J21DK-GGXR	10.0	15.2	168
	Y	S10B-J21DK-GGYR	10.0	15.2	168
12	X	S12B-J21DK-GGXR	12.5	17.7	144
	Y	S12B-J21DK-GGYR	12.5	17.7	144
16	X	S16B-J21DK-GGXR	17.5	22.7	108
	Y	S16B-J21DK-GGYR	17.5	22.7	108
20	X	S20B-J21DK-GGXR	22.5	27.7	84
	Y	S20B-J21DK-GGYR	22.5	27.7	84

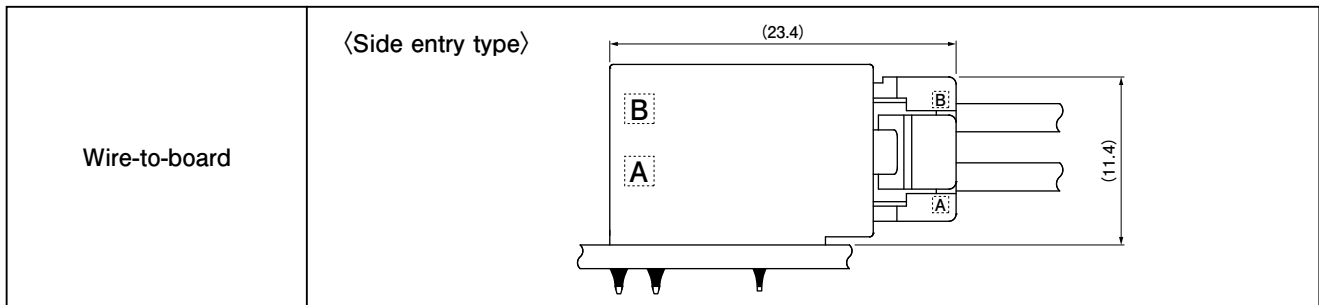
### Material and Finish

Tab contact : Copper alloy, nickel-undercoated, selective gold-plated  
Housing : Glass-filled PBT, UL94V-0, black  
Reinforcement : Copper alloy, nickel-undercoated, selective gold-plated

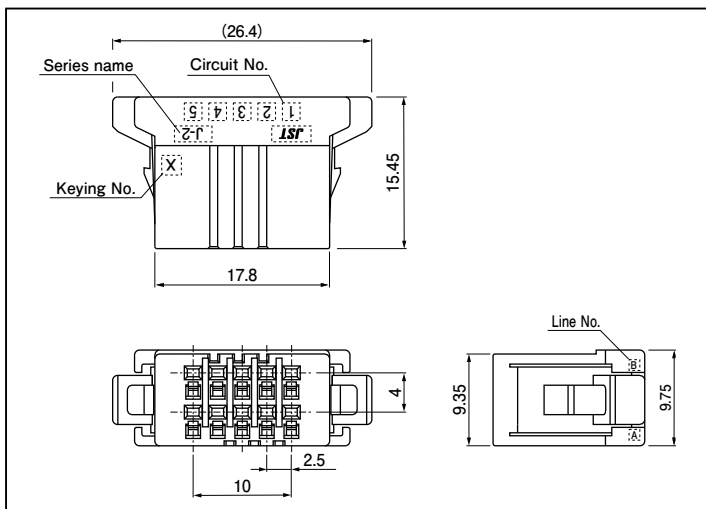
**RoHS2 compliance** This product displays (LF)(AU) on a label.  
Note: Contact JST for 0.76 μm gold-plated products.

# J2000 SERIES / J2200

## Assembly layout



## Receptacle housing



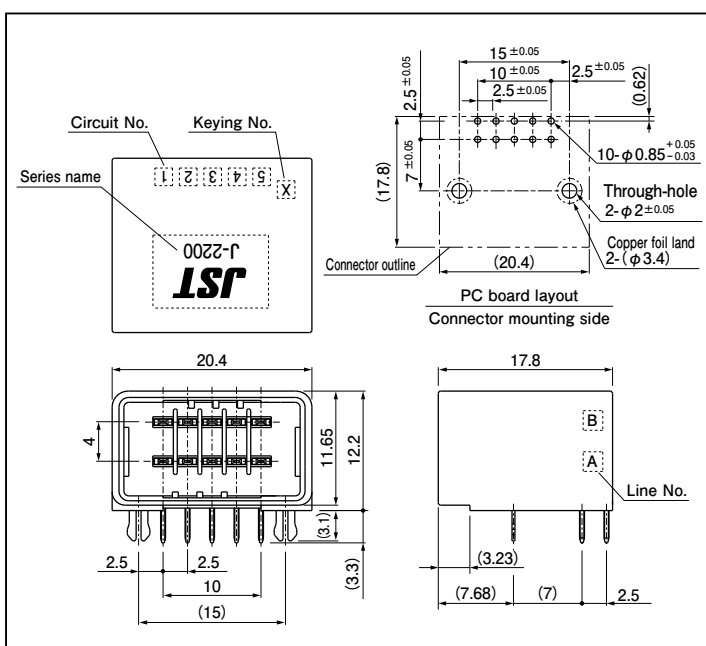
No. of circuits	Keying	Model No.	Q'ty/bag
10	X	J22DF-10V-KX	250
	Y	J22DF-10V-KY	250

### Material and finish

Glass-filled PBT, UL94V-0, black

RoHS2 compliance

## Header (Side entry type)



No. of circuits	Keying	Model No.	Q'ty/box
10	X	S10B-J22DK-GGXR	120
	Y	S10B-J22DK-GGYR	120

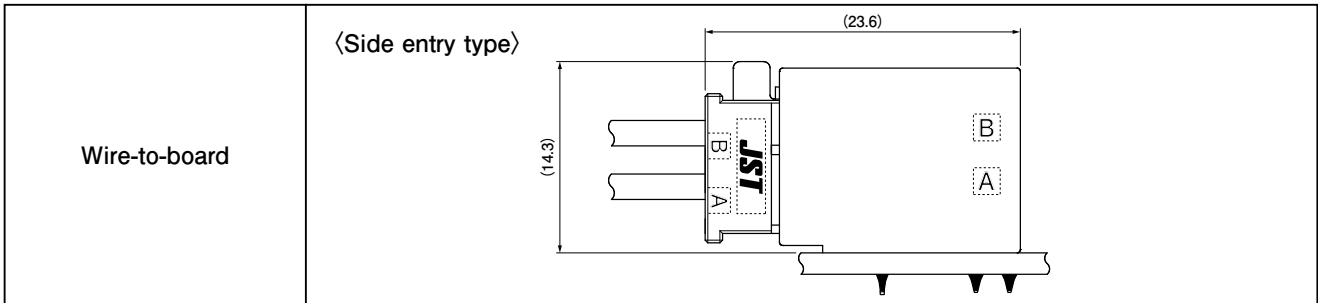
### Material and Finish

Tab contact : Copper alloy, nickel-undercoated, selective gold-plated  
Housing : Glass-filled PBT, UL94V-0, black  
Reinforcement : Copper alloy, nickel-undercoated, selective gold-plated

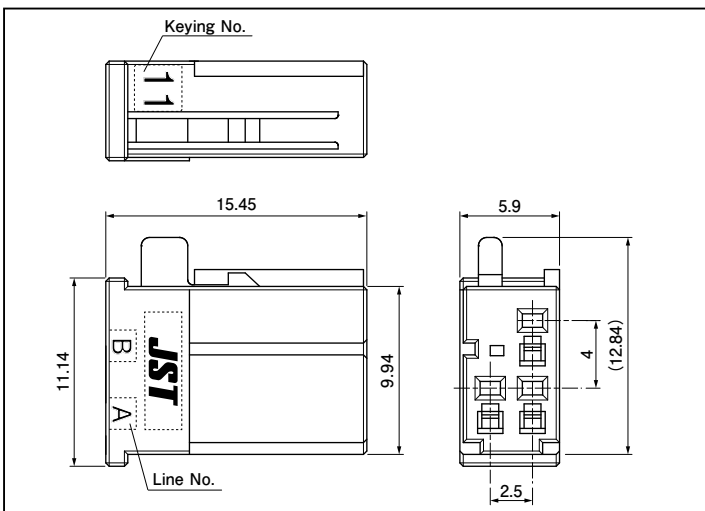
RoHS2 compliance This product displays (LF)(AU) on a label.  
Note: Contact JST for 0.76 μm gold-plated products.

# J2000 SERIES / J2300

## Assembly layout



## Receptacle housing



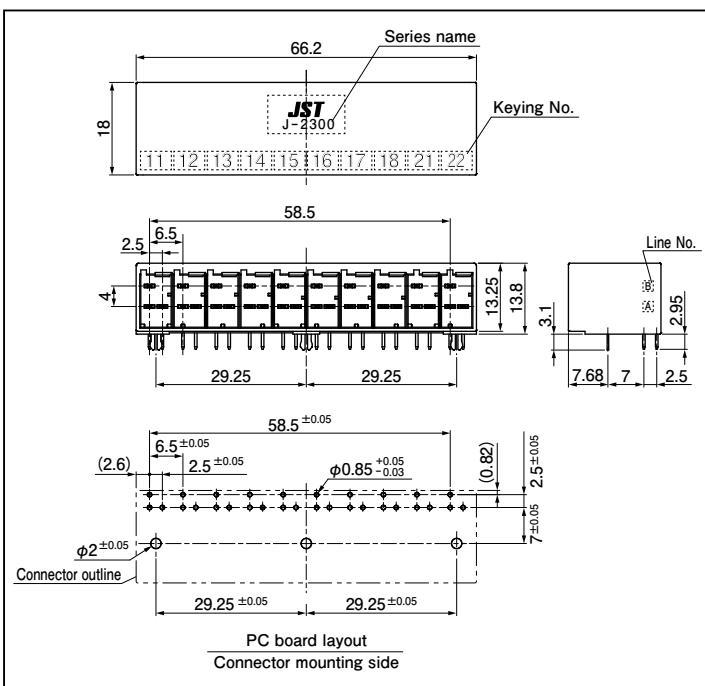
No. of circuits	Keying	Model No.	Q'ty/box
3	S11	J23DF-03V-KS11	784
	S12	J23DF-03V-KS12	
	S13	J23DF-03V-KS13	
	S14	J23DF-03V-KS14	
	S15	J23DF-03V-KS15	
	S16	J23DF-03V-KS16	
	S17	J23DF-03V-KS17	
	S18	J23DF-03V-KS18	
	S21	J23DF-03V-KS21	
	S22	J23DF-03V-KS22	

### Material and finish

Glass-filled PBT, UL94V-0, black

RoHS2 compliance  
Note: Unlisted in UL.

## Header (Side entry type)



No. of circuits	Keying	Model No.	Q'ty/box
30	S11 to S22	S30B-J23DK-GGNR	-

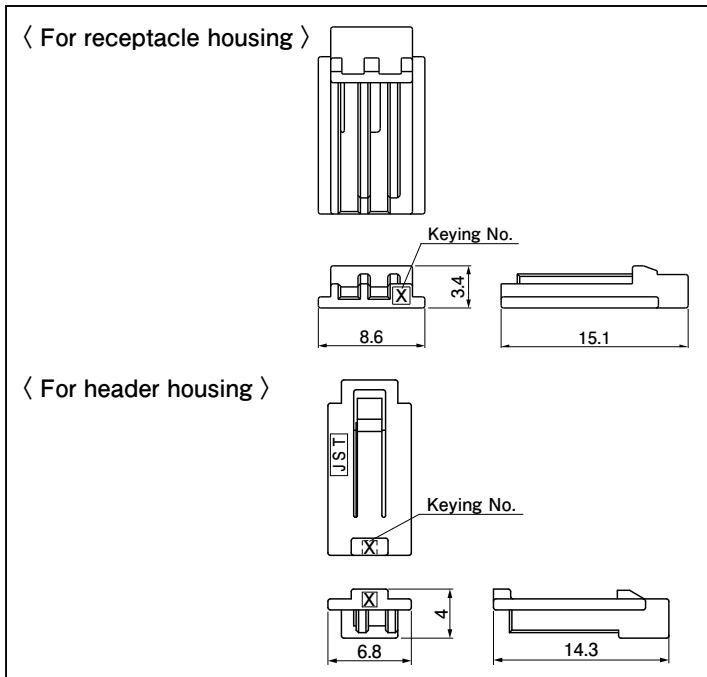
### Material and Finish

Tab contact : Copper alloy, nickel-undercoated, selective gold-plated  
Housing : Glass-filled PBT, UL94V-0, black  
Reinforcement : Copper alloy, nickel-undercoated, selective gold-plated

RoHS2 compliance This product displays (LF)(AU) on a label.  
Note: 1. Contact JST for 0.76  $\mu\text{m}$  gold-plated products.  
2. Unlisted in UL.

# J2000 SERIES/ KEYING BLOCK

## Keying block



	Keying	Model No.	Q'ty/bag
For receptacle housing	X	J2KF-VR-X	500
	Y	J2KF-VY-Y	500
	Z	J2KF-VE-Z	500
For header housing	X	J2KM-VR-X	500
	Y	J2KM-VY-Y	500
	Z	J2KM-VE-Z	500

### Material and Finish

Glass-filled PBT, UL94V-0, X-Keying (red), Y-Keying (yellow), Z-Keying (blue)

### RoHS2 compliance

Note: Unlisted in UL/TÜV.

## Features

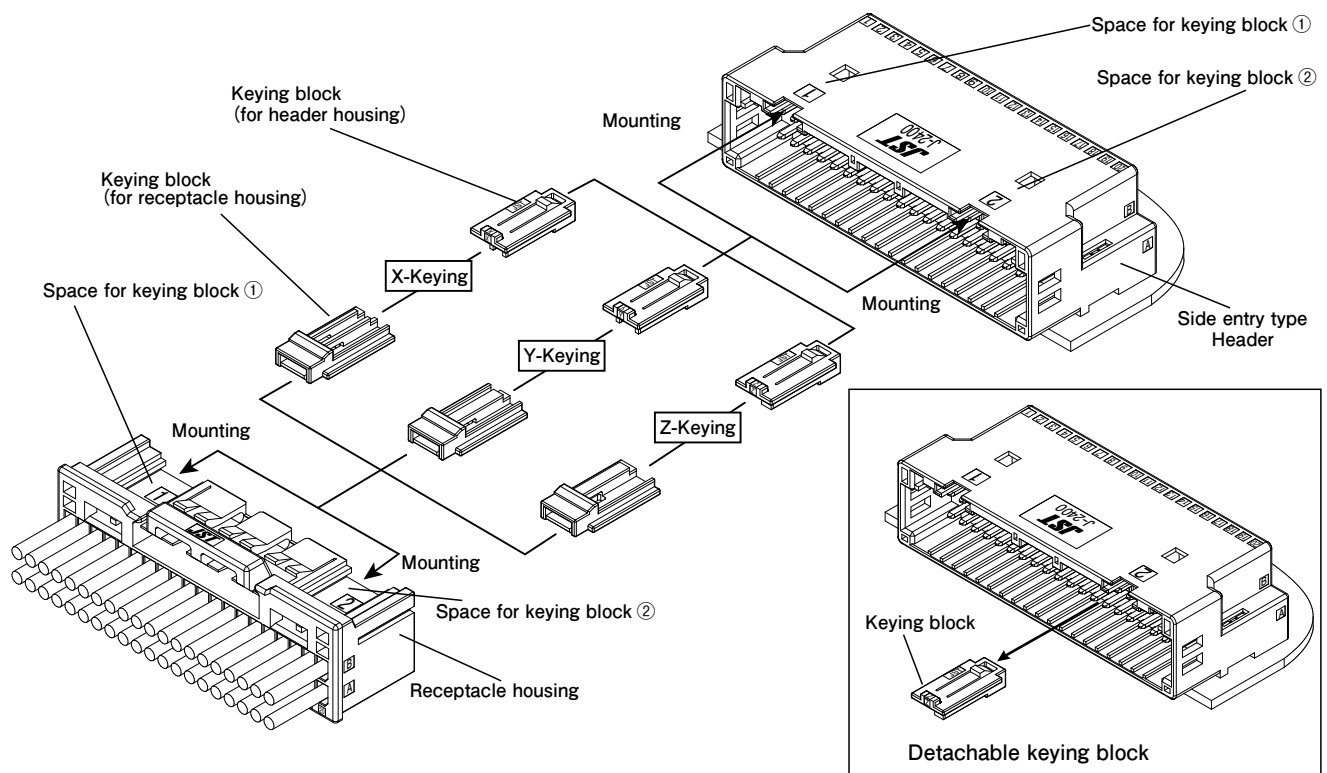
Mis-mating prevention keying block can be freely mounted to keying block space.

- 9 types of keying can be provided by mounting 3 types of keying block to 2 keying block spaces.
- Since a color varies on each type of keying, the kind of keying is easy to recognize.

### Variation of keying

	X-Keying (red)	Y-Keying (yellow)	Z-Keying (blue)
For header housing			
For receptacle housing			

## How to use keying block (When using J2400)

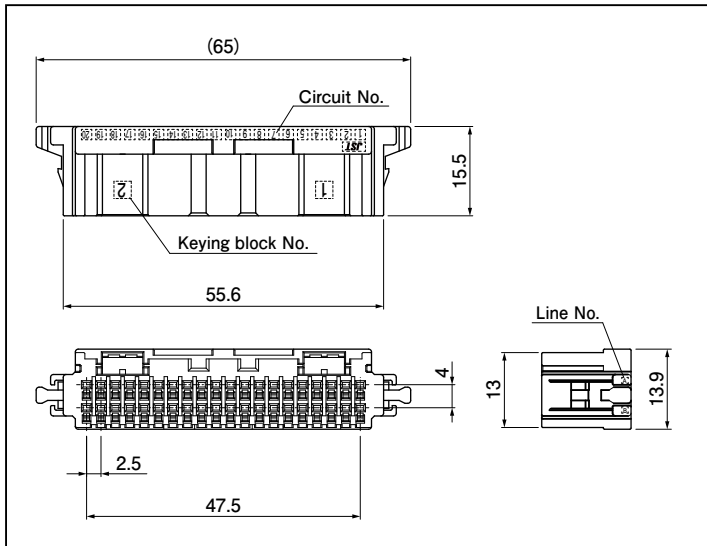


# J200 SERIES/ J2400 (FOR KEYING BLOCK)

## Assembly layout

	When mating with a receptacle housing side locking type	When mating with a receptacle housing center locking type
Wire-to-board		

## Receptacle housing (Side locking type)



No. of circuits	Keying	Model No.	Q'ty/bag
40	-	J24DFS-40V-KE	100

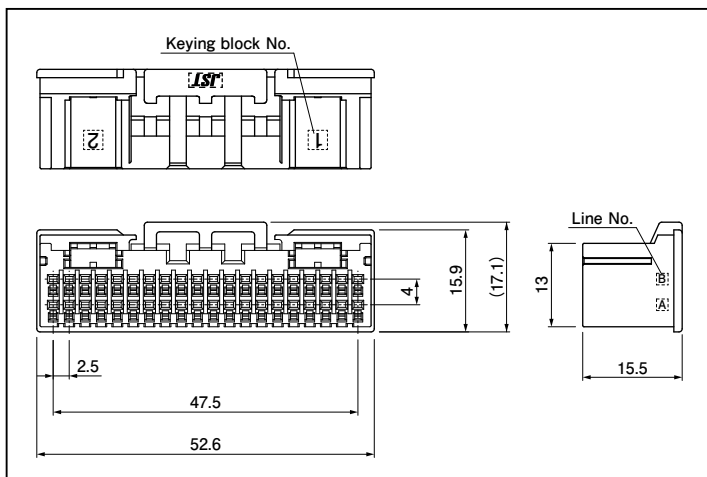
### Material and Finish

Glass-filled PBT, UL94V-0, black

### RoHS2 compliance

Note: Unlisted in UL/TÜV.

## Receptacle housing (Center locking type)



No. of circuits	Keying	Model No.	Q'ty/bag
40	-	J24DFC-40V-KE	100

### Material and Finish

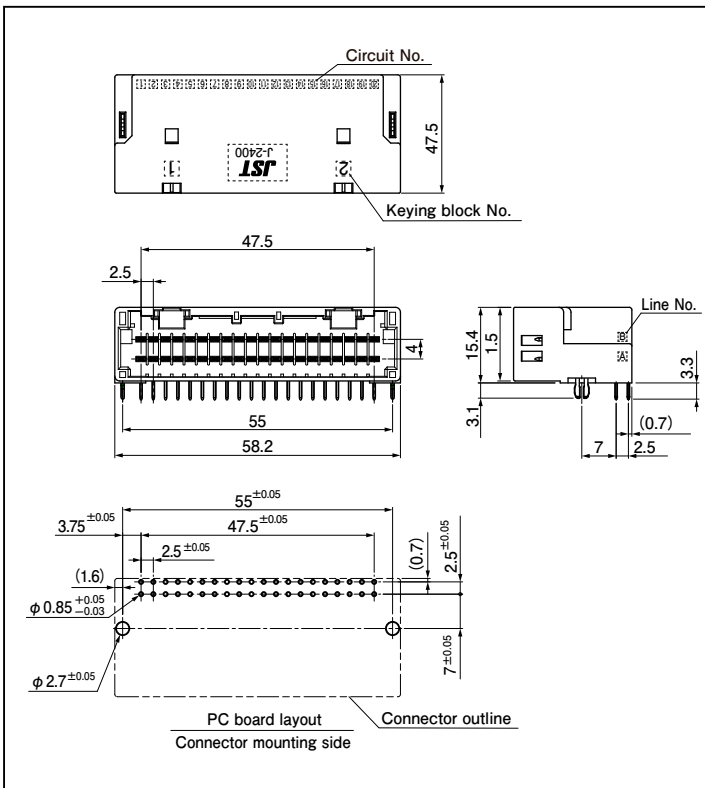
Glass-filled PBT, UL94V-0, black

### RoHS2 compliance

Note: Unlisted in UL/TÜV.

# J200 SERIES/ J2400 (FOR KEYING BLOCK)

## Header Side entry type



No. of circuits	Keying	Model No.	Q'ty/box
40	—	S40B-J24DK-GGER	135

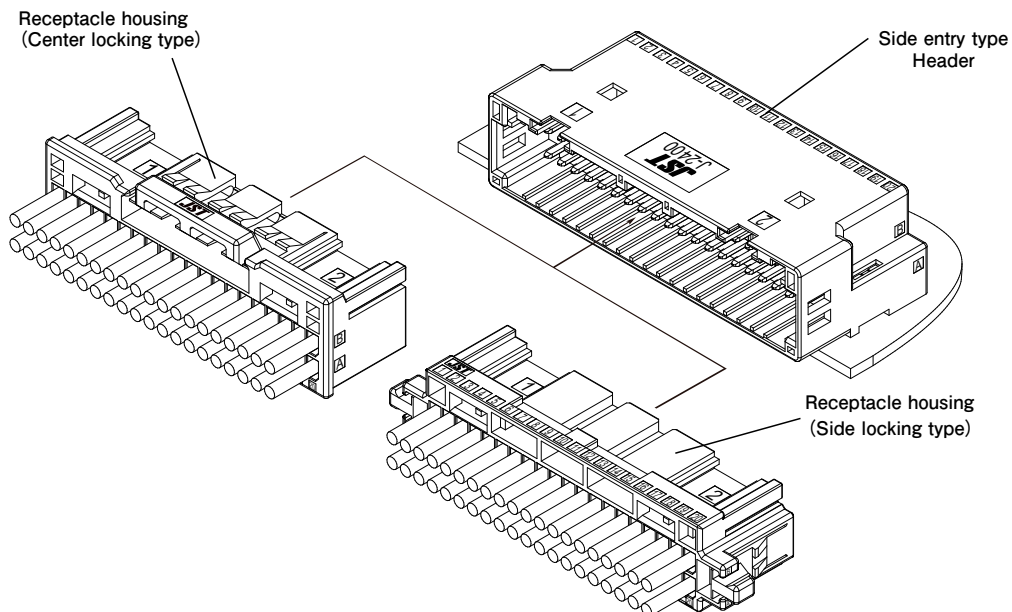
### Material and Finish

Tab contact : Copper alloy, nickel-undercoated, selective gold-plated  
 Housing : Glass-filled PBT, UL94V-0, black  
 Reinforcement : Copper alloy, nickel-undercoated, selective gold-plated

**RoHS2 compliance** This product displays (LF)(AU) on a label.  
 Note: 1. Contact JST for 0.76 μm gold-plated products.  
 2. Unlisted in UL/TÜV.

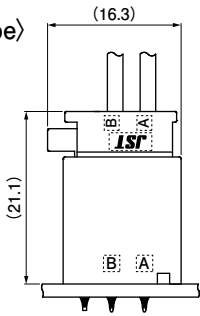
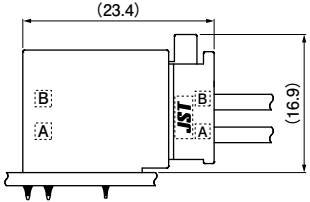
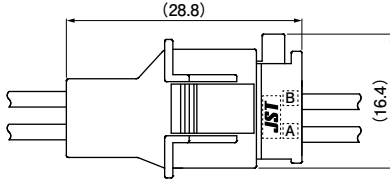
## Mating combinations

The side entry type header can be mated with a receptacle housing center locking type or side locking type.

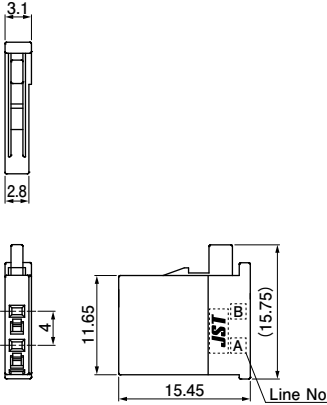
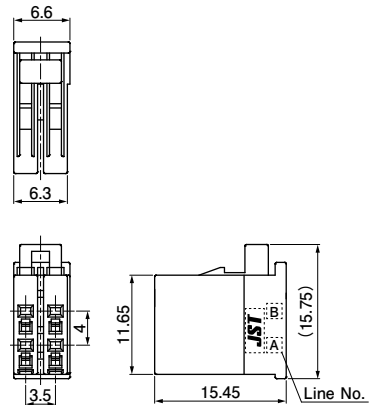
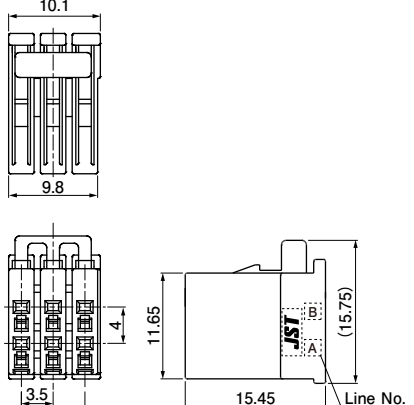
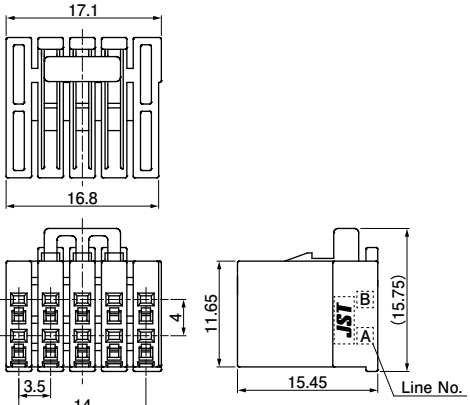




## Assembly layout

<p>Wire-to-board</p>	<p>&lt;Top entry type&gt;</p> 	<p>&lt;Side entry type&gt;</p> 
<p>Wire-to-wire</p>	<p>&lt;Panel mounting type&gt;</p> 	

## Receptacle housing

<p>• 2 circuits</p> 	<p>• 4 circuits</p> 	<p>• 6 circuits</p> 
<p>• 10 circuits</p> 		

No. of circuits	Keying	Model No.	Q'ty/bag
2	—	J25MF-02V-K	800
4	—	J25MF-04V-K	400
6	—	J25MF-06V-K	300
10	—	J25MF-10V-K	200

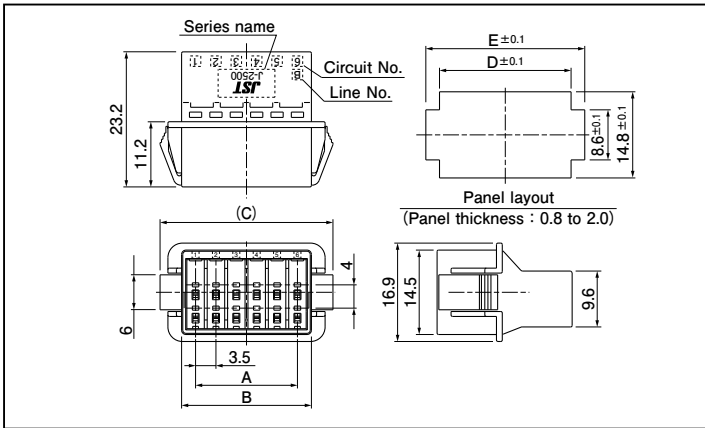
  

Material and Finish			
Glass-filled PBT, UL94V-0, black			

RoHS2 compliance

# J2000 SERIES / J2500

## Tab housing (Panel mounting type)



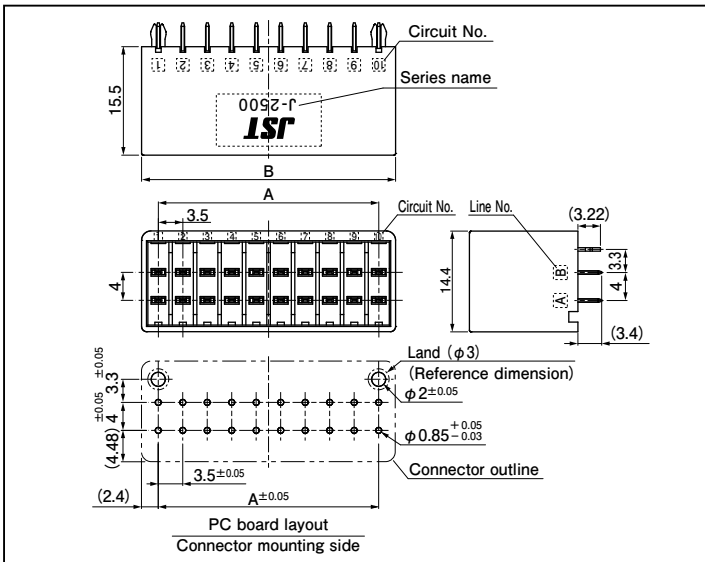
No. of circuits	Keying	Model No.	Dimensions (mm)					Q'ty
			A	B	C	D	E	
12	—	J25DPM-12V-K	17.5	22.3	29.7	22.6	27.3	200/bag
20	—	J25DPM-20V-K	31.5	36.3	43.7	36.6	41.3	132/box

### Material and Finish

Glass-filled PBT, UL94V-0, black

### RoHS2 compliance

## Header (Top entry type)



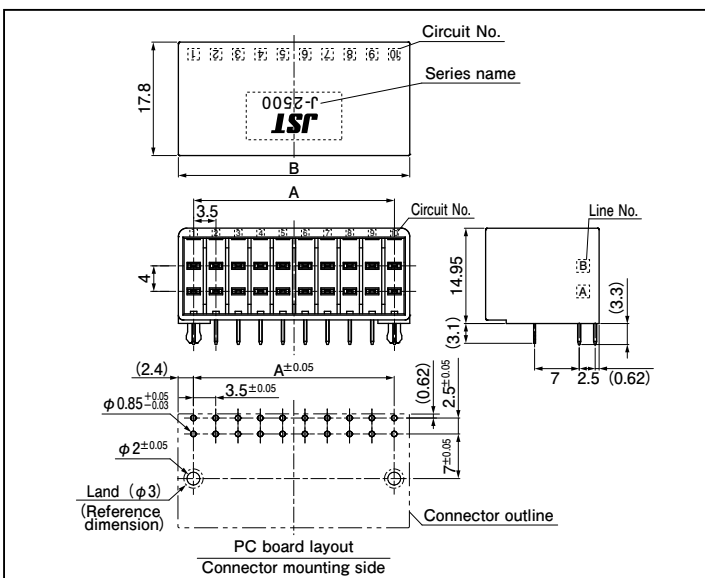
No. of circuits	Keying	Model No.	Dimensions (mm)		Q'ty/box
			A	B	
12	—	B12B-J25DK-GGR	17.5	22.3	108
20	—	B20B-J25DK-GGR	31.5	36.3	72

### Material and Finish

Tab contact : Copper alloy, nickel-undercoated, selective gold-plated  
Housing : Glass-filled PBT, UL94V-0, black  
Reinforcement : Copper alloy, nickel-undercoated, selective gold-plated

**RoHS2 compliance** This product displays (LF)(AU) on a label.  
Note: Contact JST for 0.76 μm gold-plated products.

## Header (Side entry type)



No. of circuits	Keying	Model No.	Dimensions (mm)		Q'ty/box
			A	B	
12	—	S12B-J25DK-GGR	17.5	22.3	108
20	—	S20B-J25DK-GGR	31.5	36.3	72

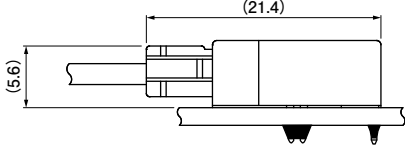
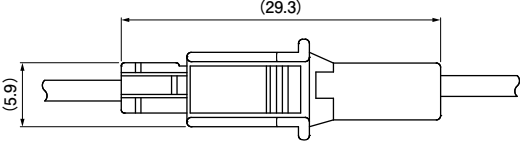
### Material and Finish

Tab contact : Copper alloy, nickel-undercoated, selective gold-plated  
Housing : Glass-filled PBT, UL94V-0, black  
Reinforcement : Copper alloy, nickel-undercoated, selective gold-plated

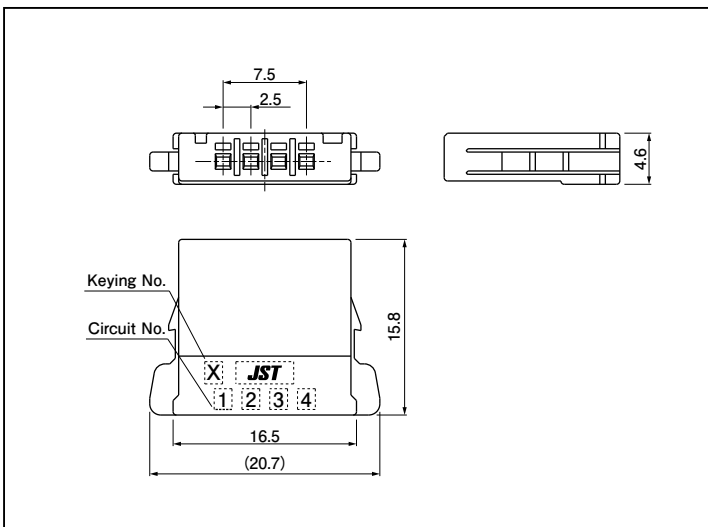
**RoHS2 compliance** This product displays (LF)(AU) on a label.  
Note: Contact JST for 0.76 μm gold-plated products.

# J2000 SERIES / J2800

## Assembly layout

Wire-to-board	<p>〈Side entry type〉</p> 
Wire-to-wire	<p>〈Free hanging type/Panel mounting type〉</p> 

## Receptacle housing



No. of circuits	Keying	Model No.	Q'ty/box
4	X	J28SF-04V-KX	1000

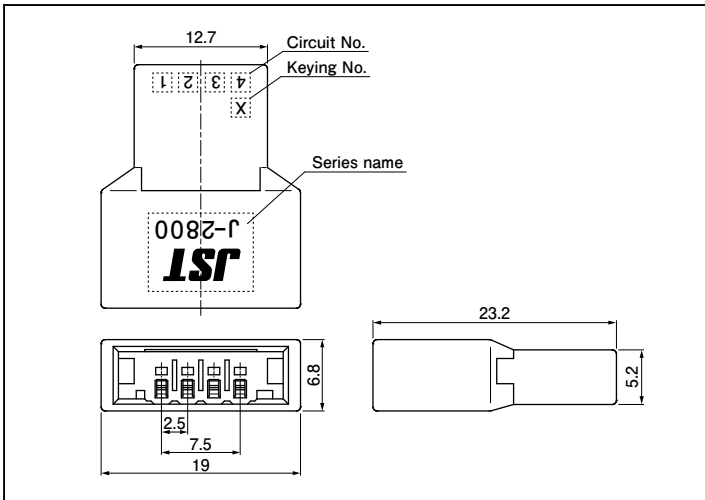
### Material and Finish

Glass-filled PBT, UL94V-0, black

RoHS2 compliance

# J2000 SERIES/ J2800

## Tab housing (Free hanging type)



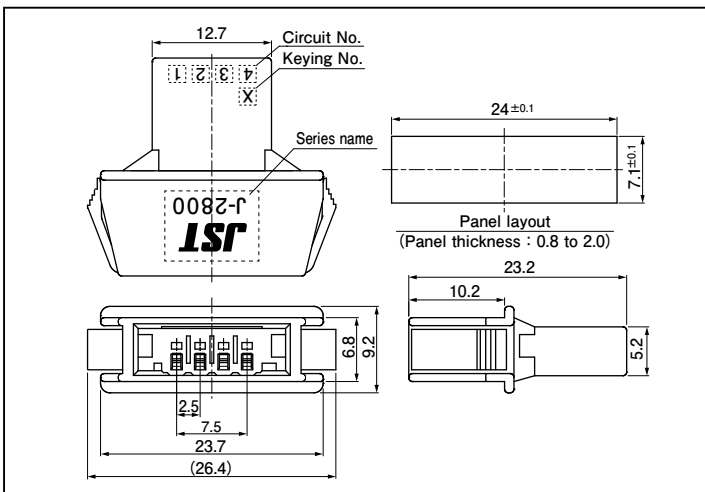
No. of circuits	Keying	Model No.	Q'ty/bag
4	X	J28SFM-04V-KX	500

### Material and Finish

Glass-filled PBT, UL94V-0, black

RoHS2 compliance

## Tab housing (Panel mounting type)



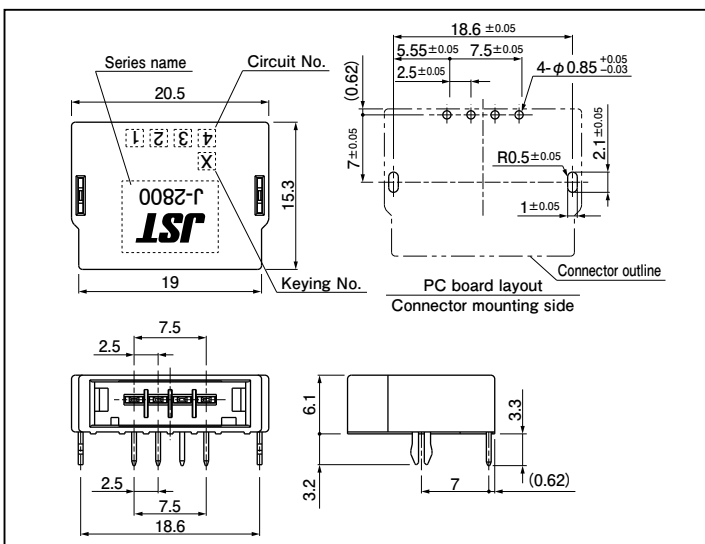
No. of circuits	Keying	Model No.	Q'ty/box
4	X	J28SPM-04V-KX	180

### Material and Finish

Glass-filled PBT, UL94V-0, black

RoHS2 compliance  
Note: Unlisted in UL.

## Header (Side entry type)

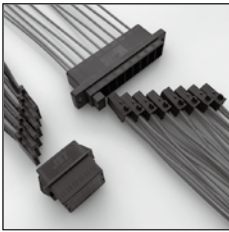


No. of circuits	Keying	Model No.	Q'ty/box
4	X	S04B-J28SK-GGXQ1R	280

### Material and Finish

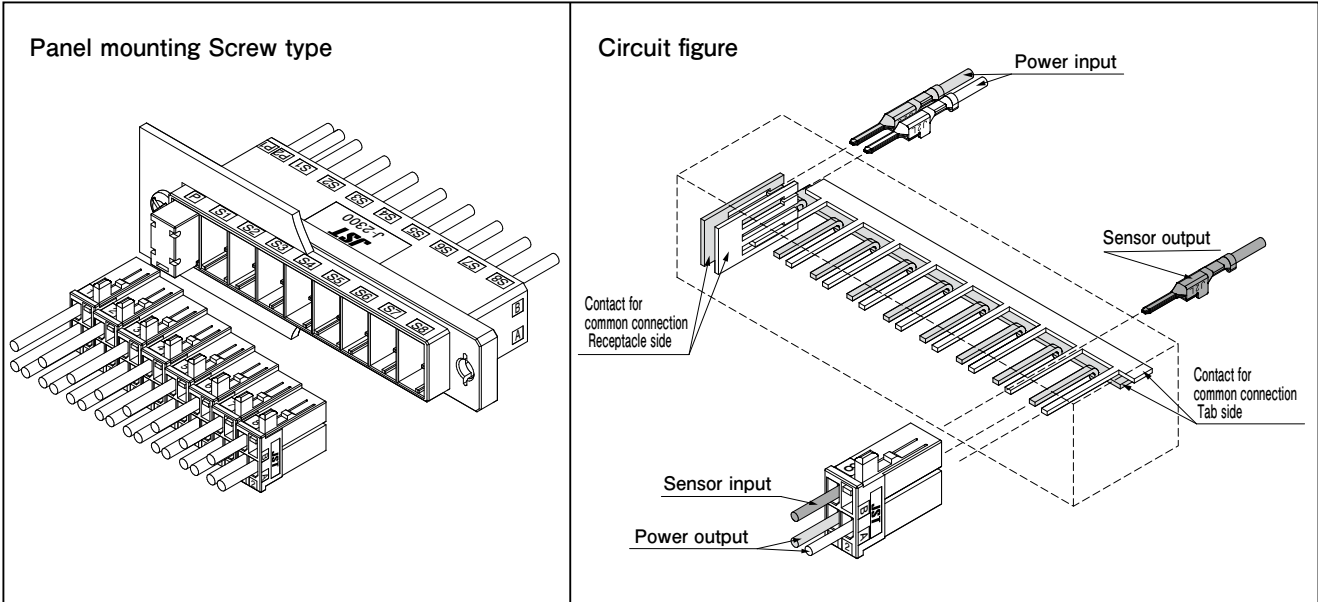
Tab contact : Copper alloy, nickel-undercoated, selective gold-plated  
Housing : Glass-filled PBT, UL94V-0, black  
Reinforcement : Copper alloy, tin-plated

RoHS2 compliance This product displays (LF) on a label.  
Note: 1. 3rd and 4th pins are sequential pins.  
2. Contact JST for 0.76 μm gold-plated products.



# J2000 SERIES/COMMON, SENSOR TYPE/ J2300

## Common, Sensor type (J2300)



- Rationalization of wiring is realized by the common connection inside the connector.

### ■ Specification

- Current rating: AC/DC  
(Total input current per contact for common connection tab side)

Current unit : A

Wire size (AWG)				
#20	#22	#24	#26	#28
6.5	5.5	4.0	3.0	2.0

- Voltage rating: 125 V AC/DC
- Temperature range: -55°C to +105°C  
(including temperature rise in applying electrical current)
- Applicable wire: AWG #28 to #20

\*Please note that the above general specifications may differ from the safety standards.

\*In using the products, refer to "Handling Precautions for Terminals and Connectors" described on our website (Technical documents of Product information page).

\* RoHS2 compliance

\* Dimensional unit: mm

\* Contact JST for details.



# J2000 SERIES/COMMON TYPE/ J2500

## Dual-row Common type (J2500)

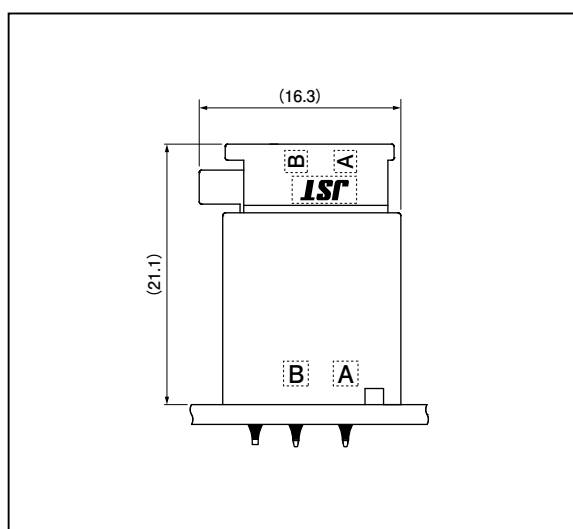
Current unit : A

Receptacle side	Tab side	Appearance	Circuit figure	Current rating : AC/DC						
				Wire size (AWG)						
				No. of circuits	Note	# 20	# 22	# 24	# 26	# 28
Receptacle housing assembly with common connection	Header			12	3.6	3.6	3.1	2.4	2.0	1.6
				20	2.9	2.9	2.5	2.1	1.7	1.3
	Tab housing			12	3.6	3.6	3.1	2.4	2.0	1.6
				20	2.9	2.9	2.5	2.1	1.7	1.3

Note: Use only receptacle housing with common connection.

- Rationalization of wiring is realized by the common connection inside the connector.

## Assembly layout



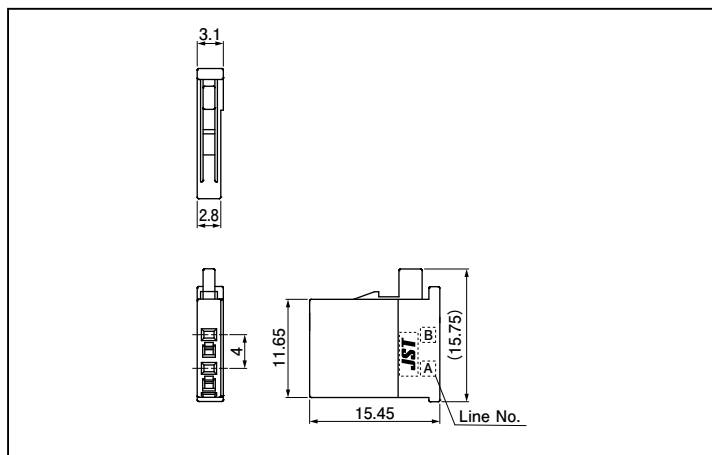
\*When mating with top entry type header

## Specifications

- Current rating : Refer to the above table.
  - Voltage rating : 250 V AC/DC
  - Temperature range: -55°C to +105°C  
(including temperature rise in applying electrical current)
  - Applicable wire : AWG #28 to #20
- \* Please note that the above general specifications may differ from the safety standards.
- \* In using the products, refer to "Handling Precautions for Terminals and Connectors" described on our website (Technical documents of Product information page).
- \* RoHS2 compliance
  - \* Dimensional unit: mm
  - \* Contact JST for details.

# J2000 SERIES/COMMON TYPE/ J2500

## Receptacle housing assembly with common connection



No. of circuits	Keying	Model No.	Q'ty/box
—	—	J25MF-00(2-A1D)V-EC	1,800

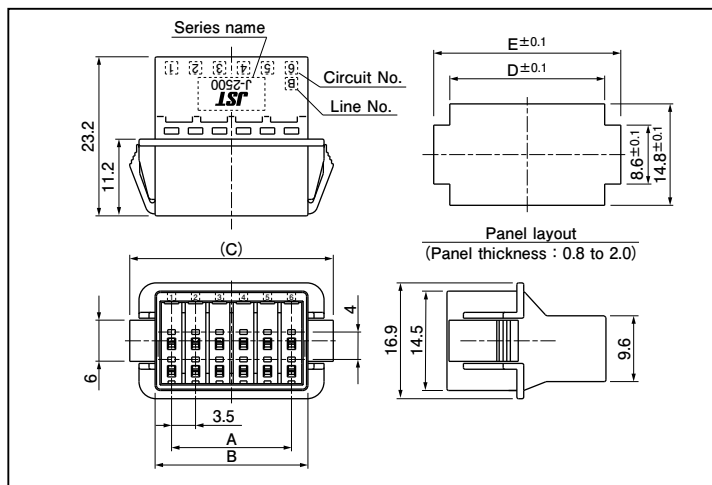
### Material and Finish

Contact : Copper alloy, nickel-undercoated, selective gold-plated  
 Housing : Glass-filled PBT, UL94V-0, blue

### RoHS2 compliance

- Note: 1. Contact JST for 0.76 μm gold-plated products.  
 2. Refer to the top page of Common type (J2500) for circuit figure.  
 3. Unlisted in UL/TÜV.

## Tab housing (Panel mounting type)

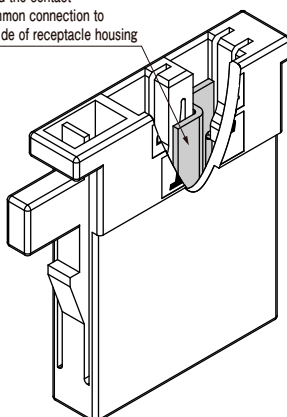
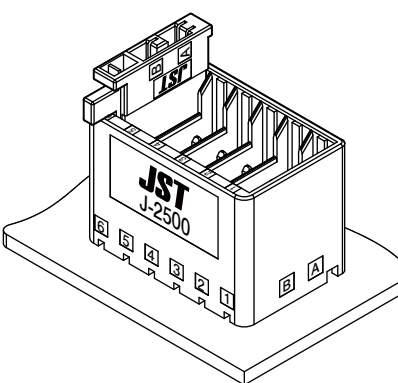
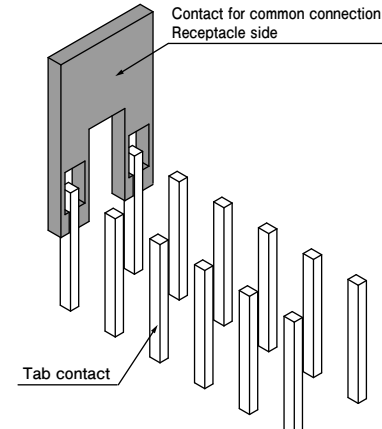


No. of circuits	Keying	Model No.	Dimensions (mm)					Q'ty
			A	B	C	D	E	
12	—	J25DPM-12V-K	17.5	22.3	29.7	22.6	27.3	200/bag
20	—	J25DPM-20V-K	31.5	36.3	43.7	36.6	41.3	132/box

### Material and Finish

Glass-filled PBT, UL94V-0, black

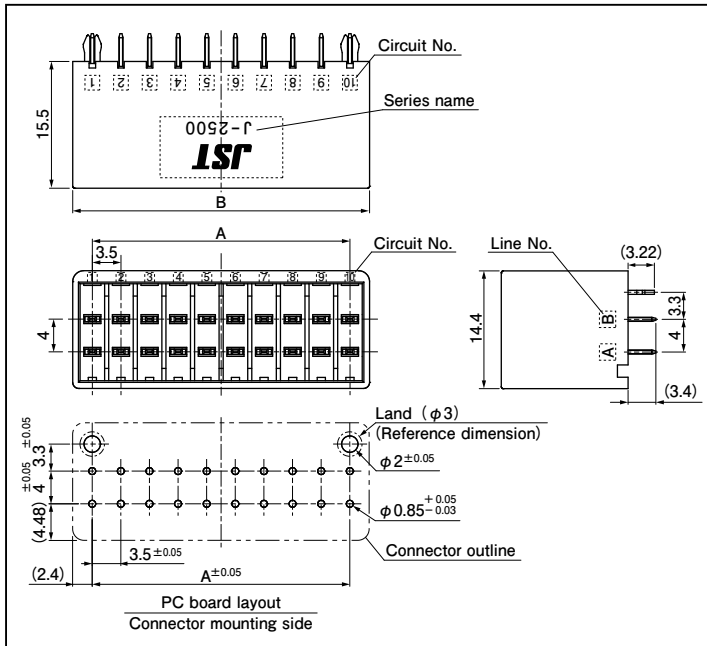
### RoHS2 compliance

Cross-section of receptacle housing assembly with common connection	Illustration when using	Circuit figure when using
<p>Inserted the contact for common connection to the inside of receptacle housing</p> 	 <p>*When using receptacle housing assembly with common connection</p>	 <p>Contact for common connection Receptacle side</p> <p>Tab contact</p>



# J2000 SERIES / COMMON TYPE / J2500

## Header (Top entry type)



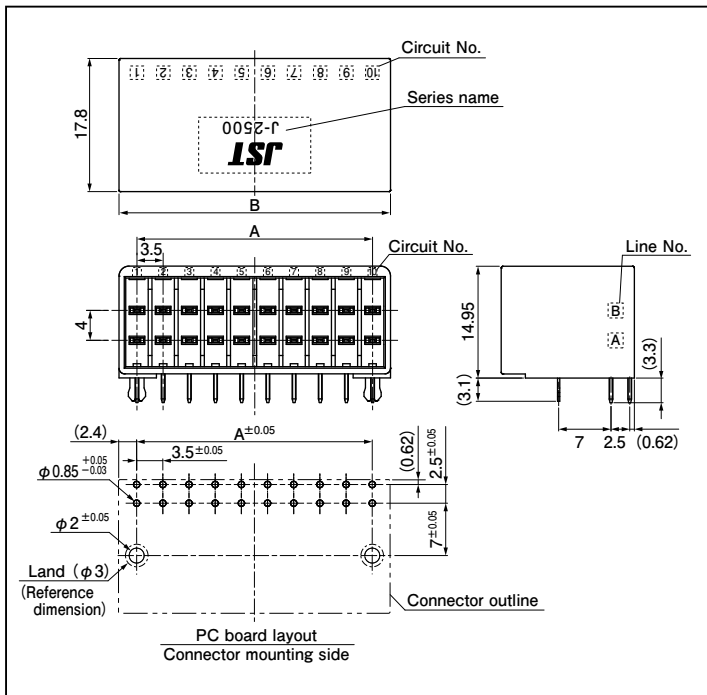
No. of circuits	Keying	Model No.	Dimensions (mm)		Q'ty/box
			A	B	
12	—	B12B-J25DK-GGR	17.5	22.3	108
20	—	B20B-J25DK-GGR	31.5	36.3	72

### Material and Finish

Tab contact : Copper alloy, nickel-undercoated, selective gold-plated  
 Housing : Glass-filled PBT, UL94V-0, black  
 Reinforcement : Copper alloy, nickel-undercoated, selective gold-plated

**RoHS2 compliance** This product displays (LF)(AU) on a label.  
 Note: Contact JST for 0.76 μm gold-plated products.

## Header (Side entry type)



No. of circuits	Keying	Model No.	Dimensions (mm)		Q'ty/box
			A	B	
12	—	S12B-J25DK-GGR	17.5	22.3	108
20	—	S20B-J25DK-GGR	31.5	36.3	72

### Material and Finish

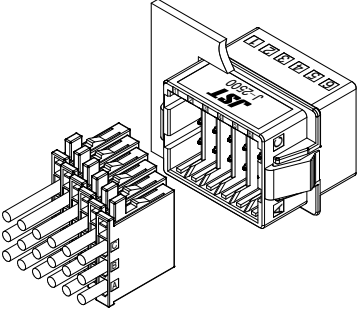
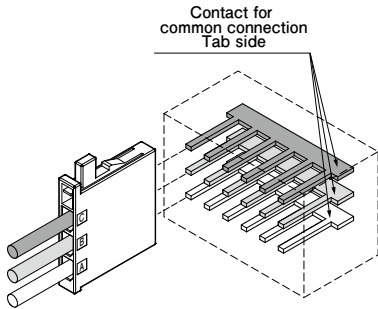
Tab contact : Copper alloy, nickel-undercoated, selective gold-plated  
 Housing : Glass-filled PBT, UL94V-0, black  
 Reinforcement : Copper alloy, nickel-undercoated, selective gold-plated

**RoHS2 compliance** This product displays (LF)(AU) on a label.  
 Note: Contact JST for 0.76 μm gold-plated products.

# J2000 SERIES / COMMON TYPE / J2500

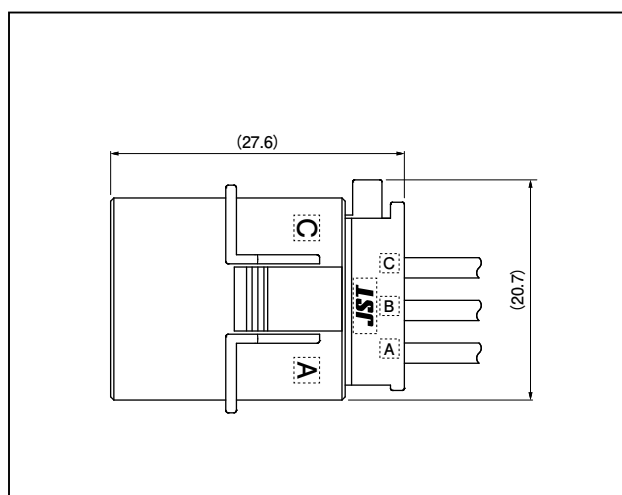
## Triple-row Common type

Current unit : A

Receptacle side	Tab side	Appearance	Circuit figure	Current rating : AC / DC					
				Wire size (AWG)					
				#20	#22	#24	#26	#28	Wire size remark
Normal Receptacle housing	Contact for common connection Tab side			5.5	5.0	4.5	4.0	3.5	Total input current on single-row

- Rationalization of wiring is realized by the common connection inside the connector.

## Assembly layout



## Specifications

- Current rating : Refer to the above table.
  - Voltage rating : 250 V AC/DC
  - Temperature range: -55°C to +105°C  
(including temperature rise in applying electrical current)
  - Applicable wire : AWG #28 to #20
- \* Please note that the above general specifications may differ from the safety standards.
- \* In using the products, refer to "Handling Precautions for Terminals and Connectors" described on our website (Technical documents of Product information page).
- \* RoHS2 compliance
- \* Dimensional unit: mm
- \* Contact JST for details.



# JFA CONNECTOR / J2000 SERIES

## Model number allocation

### Receptacle contact

**S J2 F - 01 GF - P 1.0**

Form: S...Strip form, B...Loose piece

Series name

Type: F...Receptacle contact

Applicable wire: 002...AWG #28 to #24  
01...AWG #24 to #20  
21...AWG #22 to #20

Surface finish:  
GF...Nickel-undercoated, 0.38 μm selective gold-plated  
G1...Nickel-undercoated, 0.76 μm selective gold-plated

Material: P...Copper alloy

Terminal size

### Tab contact

**S J2 M - 01 GF - M 1.0 N**

Form: S...Strip form  
B...Loose piece

Series name

Type: M...Tab contact

Applicable wire: 002...AWG #28 to #24  
01...AWG #24 to #20  
21...AWG #22 to #20

Surface finish:  
GF...Nickel-undercoated, 0.38 μm selective gold-plated  
G1...Nickel-undercoated, 0.76 μm selective gold-plated

Material: M...Copper alloy

Terminal size

Sequential: N...Normal, S...Sequential

### Receptacle housing

**J21 D F - 06 V - K X - L**

Series name:  
J21...Center locking type  
J22...Side locking type  
J23...Module type  
J24...Hybrid type  
J25...Module type  
J28...Side locking type (Thin type)

Rows: S...Single-row, D...Dual-row, M...Module,  
T...Triple-row, C...For sensor

Type of connector:  
F...Receptacle housing,  
FS...Receptacle housing (Side locking type) (J2400 series only)  
FC...Receptacle housing (Center locking type) (J2400 series only)

No. of circuits

Flammability: UL94V-0

Color: K...Black, S...Natural (White), PK...Pink,  
E...Blue, M...Green

Keying: X...X-Keying, Y...Y-Keying, Sn...Special Keying,  
E...Space (2 spaces) for Keying block,  
Blank...Without Keying No.

Keyway type (J2100 series only):  
L...Long keying type  
Blank...Short keying type (6-circuit: Long keying type)

### Tab housing

**J21 D PM-06 V - K X**

Series name:  
J21...Center locking type  
J25...Module type  
J28...Side locking type (Thin type)

Rows: S...Single-row, D...Dual-row

Mounting arrangement: PM...Panel mounting  
FM...Free hanging

No. of circuits

Flammability: UL94V-0

Color: K...Black

Keying:  
X...X-Keying, Y...Y-Keying, Blank...Without Keying No.

### Header

**S 04 B - J28 S K - GG X Q1 R**

Shape of assembled product:  
B...Top entry type  
S...Side entry type

No. of circuits

Part name: Assembly product

Series name:  
J21...Center locking type  
J22...Side locking type  
J23...Module type  
J24...Hybrid type  
J25...Module type  
J28...Side locking type (Thin type)

Rows: S...Single-row, D...Dual-row

Color: K...Black, S...Natural (White),  
PK...Pink, E...Blue, M...Green

Surface finish:  
GG...Nickel-undercoated, 0.38 μm selective gold-plated  
GK...Nickel-undercoated, 0.76 μm selective gold-plated

Keying: X...X-Keying, Y...Y-Keying, N...Special Keying,  
E...Space (2 spaces) for Keying block,  
Blank...Without Keying No.

Sequential: Q1...Sequential, Blank...Normal

Packaging form: R...Tray

# JFA CONNECTOR / J2000 SERIES

## Model number allocation

### Receptacle housing assembly

**J25 M F - 00 (2- A1D) V - E C**

Series name: \_\_\_\_\_  
 J25...Module type

Rows: M...Module \_\_\_\_\_

Type of connector:  
 F...Receptacle housing \_\_\_\_\_

No. of circuits  
 (The number of receptacle contact  
 that can be mounted to the housing.) \_\_\_\_\_

Common:  
 2-A1D...Common circuit is set to No. 1 circuit  
 at each row of A and B. \_\_\_\_\_

Flammability: UL94V-0 \_\_\_\_\_

Color: E...Blue \_\_\_\_\_

Surface finish of assembled short circuit terminal:  
 C...Nickel-undercoated, 0.38 μm selective gold-plated \_\_\_\_\_

### Common tab housing assembly

**P 28 B - J23 D K - GG N R**

Shape of assembled product:  
 P...Panel mounting type \_\_\_\_\_

No. of circuits \_\_\_\_\_

Part name: Assembly product \_\_\_\_\_

Series name:  
 J23...Common, Sensor type \_\_\_\_\_  
 J25...Common type \_\_\_\_\_

Rows: D...Dual-row, T...Triple-row \_\_\_\_\_

Color: K...Black \_\_\_\_\_

Surface finish:  
 GG, GF...Nickel-undercoated, 0.38 μm selective gold-plated \_\_\_\_\_

Keying: N...Special Keying,  
 Blank...Without Keying No. \_\_\_\_\_

Packaging style: R...Tray \_\_\_\_\_

### Keying block

**J2 K F - V R - X**

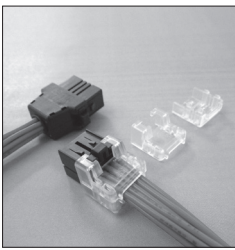
Series name: \_\_\_\_\_

Part name: Keying block \_\_\_\_\_

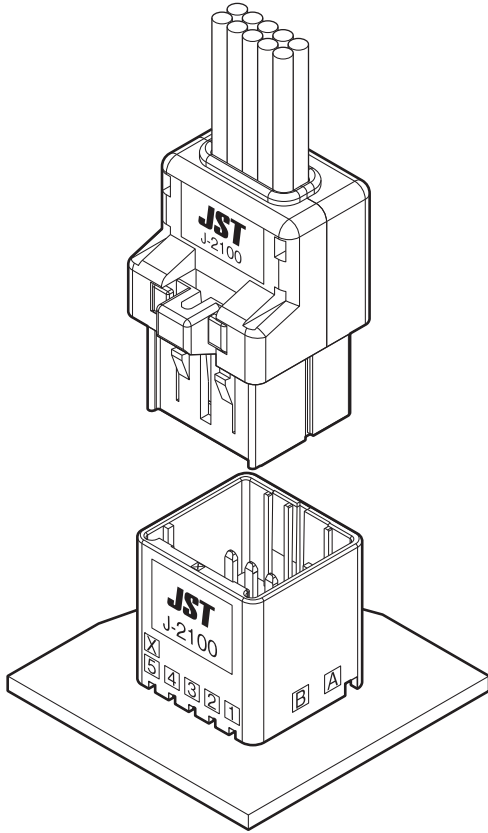
Type of connector:  
 F...For receptacle housing \_\_\_\_\_  
 M...For header housing \_\_\_\_\_

Flammability: UL94V-0 \_\_\_\_\_

Color/Keying: R-X...Red/X-Keying \_\_\_\_\_  
 Y-Y...Yellow/Y-Keying \_\_\_\_\_  
 E-Z...Blue/Z-Keying \_\_\_\_\_



# JFA CONNECTOR J2000 SERIES PROTECTOR



## Standards

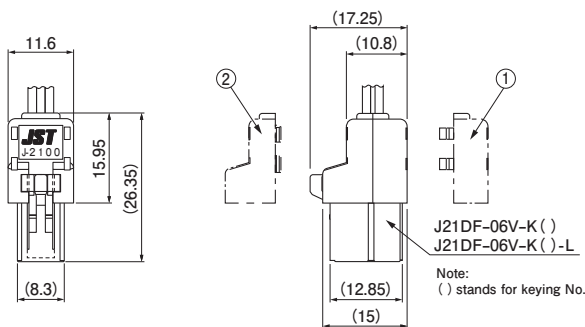
 J50209682

When applying a current to the connector, the protector prevents foreign substances being inserted into mating part from the wiring side. However it has no function of holding the wire securely.

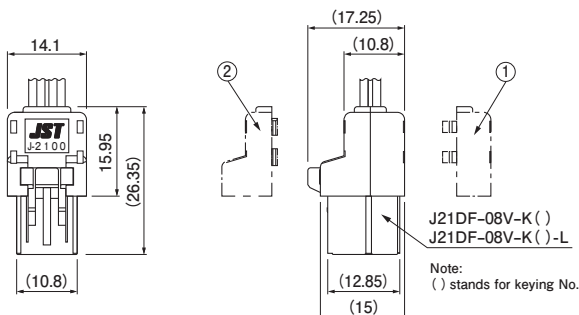
Note: Protector is unlisted in UL.

## J2000 Series

### • J2100 series for 6 circuits



### • J2100 series for 8 circuits



No.	Model No.	Color	Q'ty/box
1	J21PF-06SCA	Transparent	2,250
2	J21PF-06SCB	Transparent	2,100

#### Material and Finish

Polycarbonate

RoHS2 compliance

No.	Model No.	Color	Q'ty/box
1	J21PF-08SCA	Transparent	480
2	J21PF-08SCB	Transparent	270

#### Material and Finish

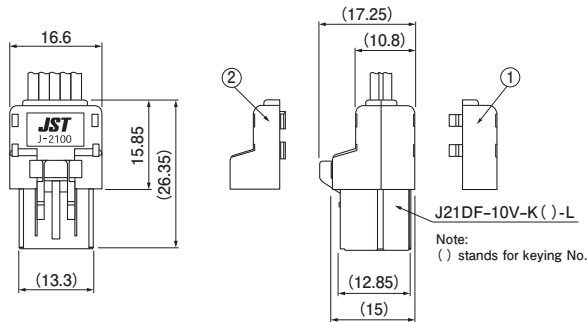
Polycarbonate

RoHS2 compliance

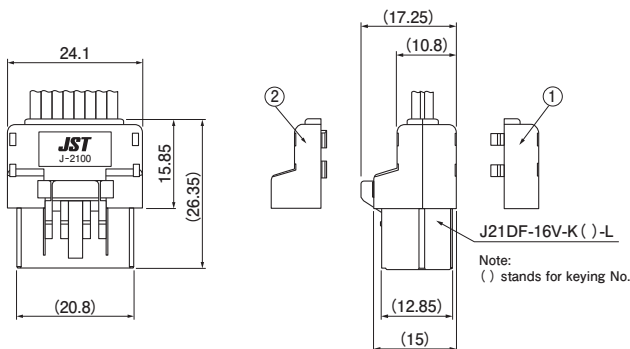
# JFA CONNECTOR J2000 SERIES PROTECTOR

## J2000 Series

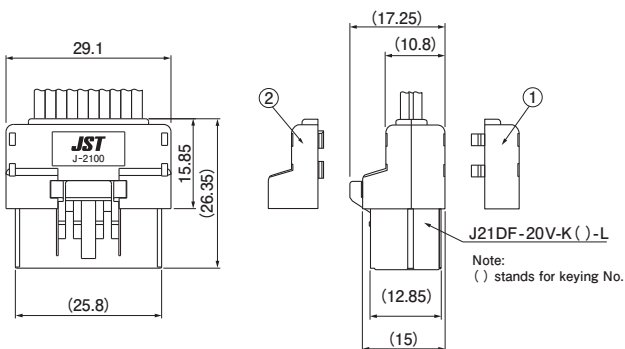
### • J2100 series for 10 circuits



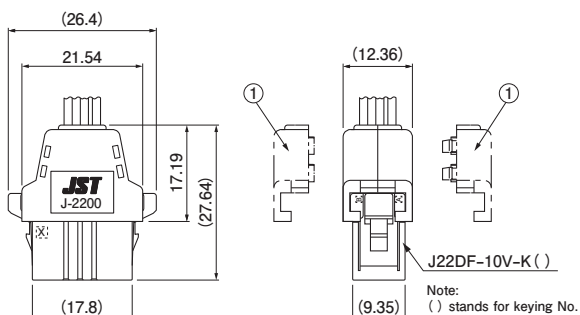
### • J2100 series for 16 circuits



### • J2100 series for 20 circuits



### • J2200 series for 10 circuits



No.	Model No.	Color	Q'ty/box
1	J21PF-10VKA	Black	390
	J21PF-10SCA	Transparent	390
2	J21PF-10VKB	Black	234
	J21PF-10SCB	Transparent	234

#### Material and Finish

Black: Glass-filled PBT  
Transparent: Polycarbonate

#### RoHS2 compliance

Note: Use the same color for protector 1 and 2.

No.	Model No.	Color	Q'ty/box
1	J21PF-16VKA	Black	270
	J21PF-16SCA	Transparent	270
2	J21PF-16VKB	Black	162
	J21PF-16SCB	Transparent	162

#### Material and Finish

Black: Glass-filled PBT  
Transparent: Polycarbonate

#### RoHS2 compliance

Note: Use the same color for protector 1 and 2.

No.	Model No.	Color	Q'ty/box
1	J21PF-20VKA	Black	210
	J21PF-20SCA	Transparent	210
2	J21PF-20VKB	Black	126
	J21PF-20SCB	Transparent	126

#### Material and Finish

Black: Glass-filled PBT  
Transparent: Polycarbonate

#### RoHS2 compliance

Note: Use the same color for protector 1 and 2.

No.	Model No.	Color	Q'ty/box
1	J22PF-10VK	Black	420

#### Material and Finish

Glass-filled PBT

#### RoHS2 compliance

Note: Two protectors are used.

单击下面可查看定价，库存，交付和生命周期等信息

[>>JST\(杰世腾\)](#)