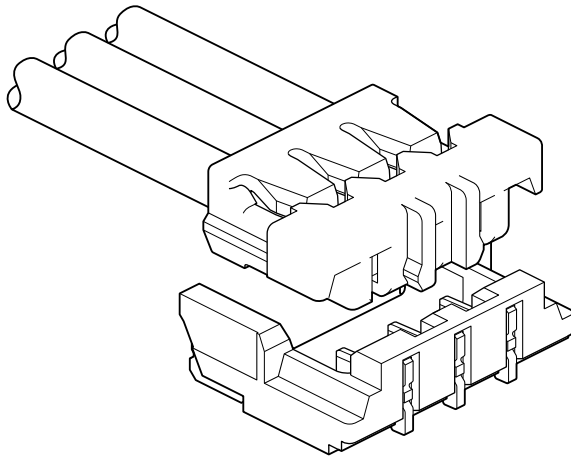


ADH CONNECTOR

1.3 mm pitch/Disconnectable Crimp style connectors



This ADH connector is compact and low profile type, height 1.9 mm and width 4.3 mm, 1.3 mm pitch wire-to-board connector.

- Space saving
- Top entry but side feed type
- Connector for power supply (3 A)

Specifications

- Current rating: 3 A AC, DC
(Apply 1 for the 3rd circuit of 5-circuit.) (AWG #26)
- Voltage rating: 30 V AC, DC
- Temperature range: -25°C to +85°C
(including temperature rise in applying electrical current)
- Contact resistance: Initial value/ 20 mΩ max.
After environmental tests/ 30 mΩ max.
- Insulation resistance: 100 MΩ min.
- Withstanding voltage: 500 VAC/minute
- Applicable wire: Conductor size/ AWG #28 to #26
Insulation O.D./ 0.63 mm, 0.98 mm

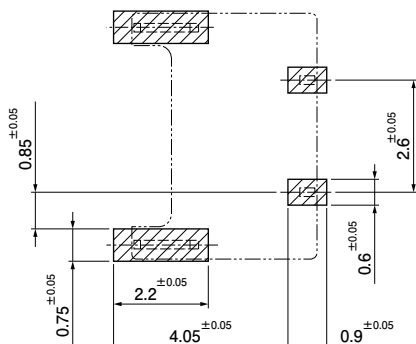
- * Refer to "General Instruction and Notice when using Terminals and Connectors" at the end of this catalog.
- * Contact JST for details.
- * Compliant with RoHS.

Standards

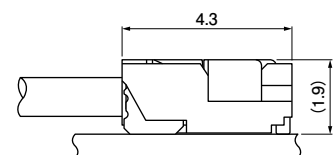
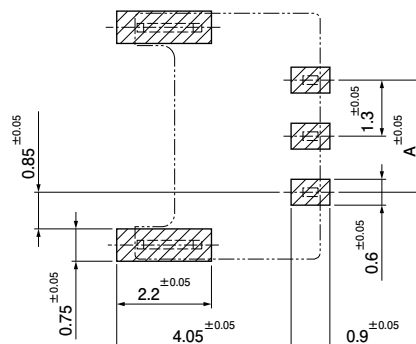
Recognized E60389

PC board layout and Assembly layout

<2 circuits>



<3, 5 circuits>

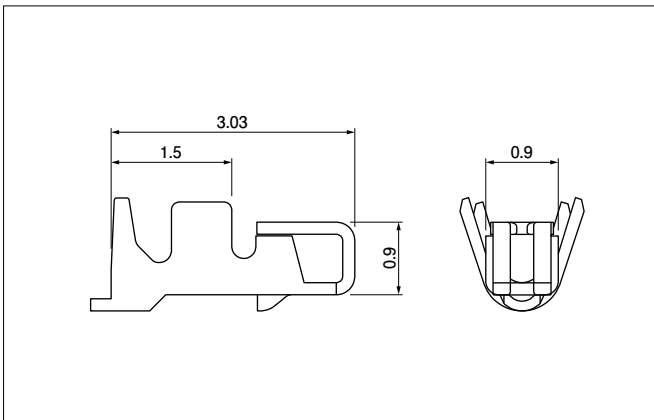


Note: 1. The above figure is the figure viewed from the connector mounting side.

2. Tolerances are non-cumulative: ± 0.05 mm for all centers. The dimensions above should serve as a guideline. Contact JST for details.

ADH CONNECTOR

Contact



| Model No. | Applicable wire | | Insulation O.D. (mm) | Q'ty / reel |
|----------------|-----------------|------|----------------------|-------------|
| | mm ² | AWG# | | |
| SADH-002G-P0.2 | 0.14 | 26 | 0.98 | 25,000 |
| SADH-003G-P0.2 | 0.08 | 28 | 0.63 | 25,000 |

Material and Finish

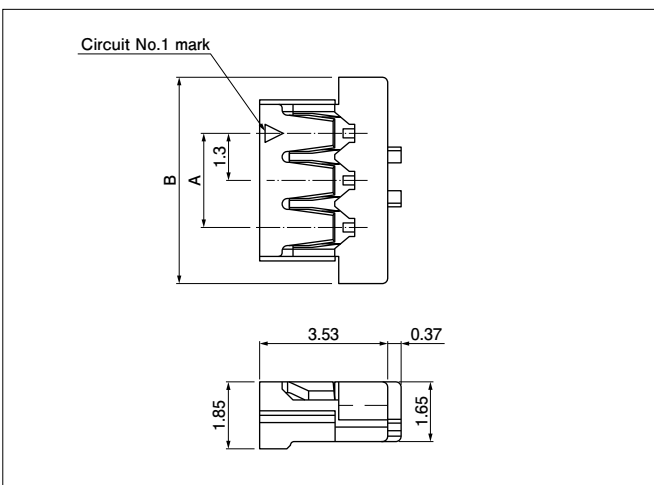
Copper alloy, nickel-undercoated, gold-plated

RoHS compliance

| Contact | Crimping machine | Applicator | | |
|----------------|------------------|------------------|----------------|----------------------------|
| | | Crimp applicator | Dies | Crimp applicator with dies |
| SADH-002G-P0.2 | AP-K2N | MKS-L-10-3 | MK/SADH-002-02 | APLMK SADH002-02 |
| | | — | — | — |
| SADH-003G-P0.2 | — | MKS-L-10-3 | MK/SADH-003-02 | APLMK SADH003-02 |
| | | — | — | — |

Note: Contact JST for fully automatic crimping applicator.

Housing



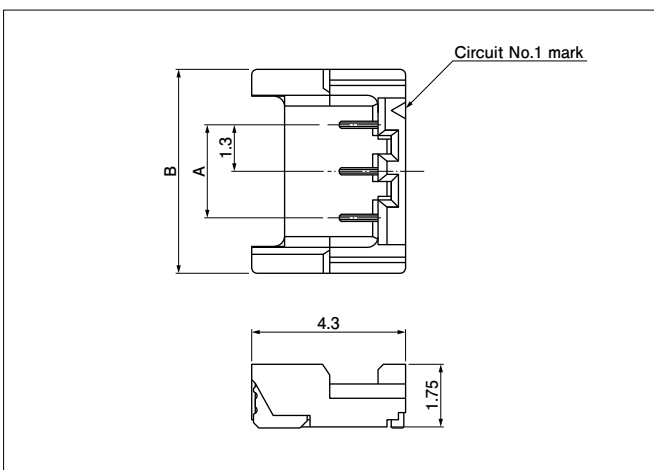
| No. of circuits | Model No. | Dimensions (mm) | | Q'ty / bag |
|-----------------|-----------------|-----------------|-----|------------|
| | | A | B | |
| 3 | ADHR-03V-H | 2.6 | 5.7 | 1,000 |
| 5 | ADHR-05V-S (HF) | 5.2 | 8.3 | 1,000 |

Material

PBT · UL94V-0

RoHS compliance

Header



| No. of circuits | Model No. | Dimensions (mm) | | Q'ty / reel |
|-----------------|--------------------------|-----------------|-----|-------------|
| | | A | B | |
| *2 | BM02(3)B-ADHSS-GAN-ETB | 2.6 | 5.7 | 5,000 |
| 3 | BM03B-ADHKS-GAN-ETB | 2.6 | 5.7 | 5,000 |
| 5 | BM05B-ADHKS-GAN-ETB (HF) | 5.2 | 8.3 | 5,000 |

Material and Finish

Contact: Copper alloy, nickel-undercoated, gold-plated (nickel-stripe)

Housing: Heat resisting resin, UL94V-0

Reinforcement: Copper alloy, copper-undercoated, tin-plated (reflow treatment)

RoHS compliance This product displays (LF)(SN) on a label. (2, 3 circuits)

Note: 1. The products listed above are supplied on embossed-tape.

2. *2-circuit product: Removing center pin from 3-circuit product.

ADH CONNECTOR

Model number allocation

Contact

| | | | | |
|---|----------|------------------|--------------|------------|
| | S | ADH - 002 | G - P | 0.2 |
| Form: S...Strip form | | | | |
| Series name | | | | |
| Applicable wire range: 002...AWG #26, 003...AWG #28 | | | | |
| Surface finish: G...Nickel-undercoated gold-plated | | | | |
| Material: P...Copper alloy | | | | |
| Terminal size | | | | |

Housing

| | | | | |
|---|------------|---------------|--------------|-------------|
| | ADH | R - 03 | V - H | (HF) |
| Series name | | | | |
| Part name: Receptacle | | | | |
| No. of circuits: 3, 5 | | | | |
| Flammability: V...UL94V-0 | | | | |
| Color: H...Gray, S...Natural | | | | |
| Indication of halogen-free: HF...Halogen-free | | | | |

Header

| | | | |
|--|----------------------|------------------------|-------------|
| | BM 03 B - ADH | K S - GAN - ETB | (HF) |
| Shape of assembled product: BM...SMT top entry type | | | |
| No. of circuits: 2 to 3, 5 | | | |
| Part name: Header | | | |
| Series name | | | |
| Color: K...Black, S...White | | | |
| Indication of clinch: S...Straight pin | | | |
| Surface finish: GAN...Nickel-undercoated gold-plated (nickel stripe) | | | |
| Packaging style: ETB...Antistatic embossed-taping | | | |
| Indication of halogen-free: HF...Halogen-free | | | |

单击下面可查看定价，库存，交付和生命周期等信息

[>>JST\(杰世腾\)](#)