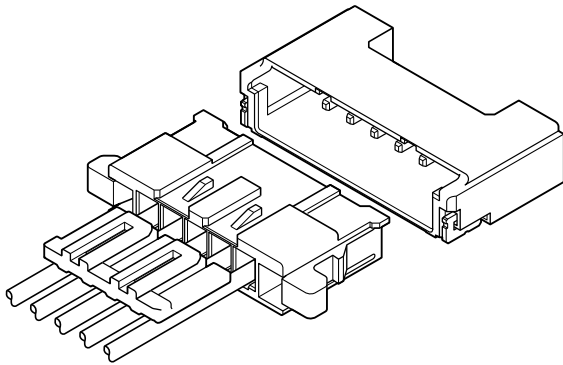


XAG CONNECTOR



2.5 mm pitch/Disconnectable Crimp style connectors



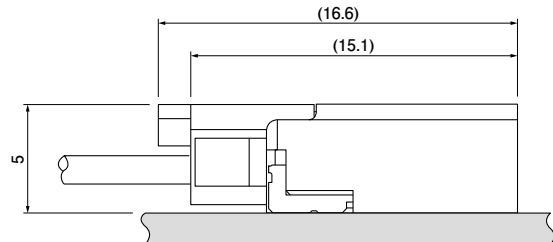
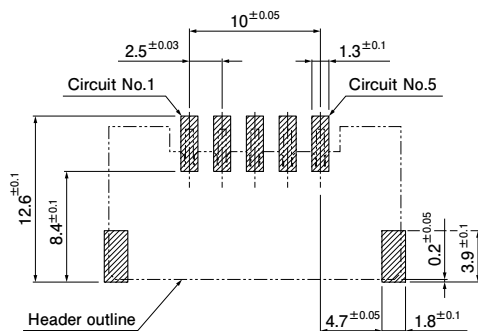
This is a 2.5 mm pitch, crimp style, wire-to-board connector.

- Secure locking device
- Low profile
- Retainer mountable type

Specifications

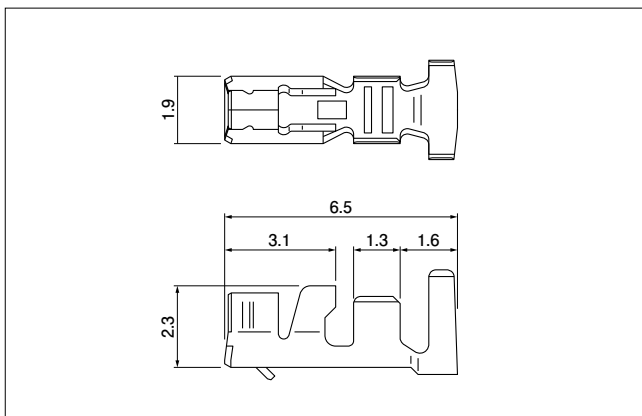
- Current rating: 3 A AC/DC (AWG #20)
 - Voltage rating: 250 V AC/DC
 - Temperature range: -25°C to +85°C
(including temperature rise in applying electrical current)
 - Contact resistance: Initial value/ 10 mΩ max.
After environmental tests/ 20 mΩ max.
 - Insulation resistance: 1,000 MΩ min.
 - Withstanding voltage: 1,000 VAC/minute
 - Applicable wire: AWG #24 to #20
- * In using the products, refer to "Handling Precautions for Terminals and Connectors" described on our website (Technical documents of Product information page).
- * RoHS2 compliance
- * Dimensional unit: mm
- * Contact JST for details.

PC board layout and Assembly layout



- Note: 1. The above figure is the figure viewed from the connector mounting side.
 2. Tolerances are non-cumulative: ± 0.05 mm for all centers.
 3. The dimensions above should serve as a guideline. Contact JST for details.

Contact



Model No.	Applicable wire		Insulation O.D. (mm)	Q'ty/reel
	mm ²	AWG#		
SXA-01T-P0.6	0.22~0.5	24~20	1.5~1.9	8,000

Material and Finish

Phosphor bronze, tin-plated (reflow treatment)

RoHS2 compliance

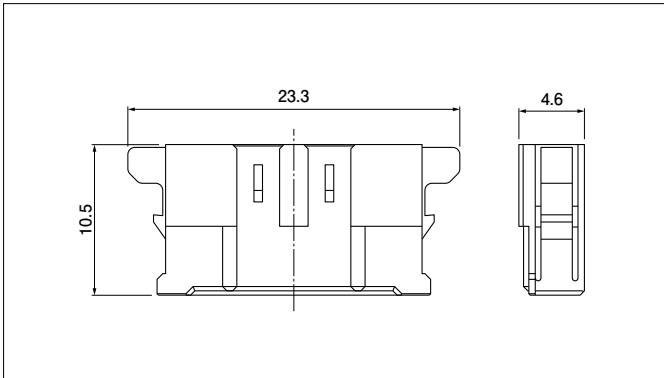
Note: Contact JST for gold-plated products.

Contact	Crimping machine	Applicator		
		Crimp applicator	Dies	Crimp applicator with dies
SXA-01T-P0.6	AP-K2N	MKS-L	MK/SXA/M-01-06	APLMK SXA/M01-06

Note: Contact JST for fully automatic crimping applicator.

XAG CONNECTOR

Housing



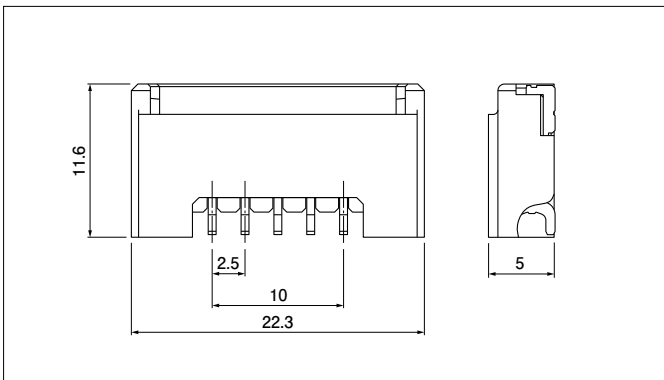
No. of circuits	Model No.	Q'ty/bag
5	XAGRP-051-K	2,000

Material and Finish

PBT, UL94V-0, black

RoHS2 compliance

Shrouded header



No. of circuits	Model No.	Q'ty/reel
5	SM05B-XAGKS-BN-TB	1,000

Material and Finish

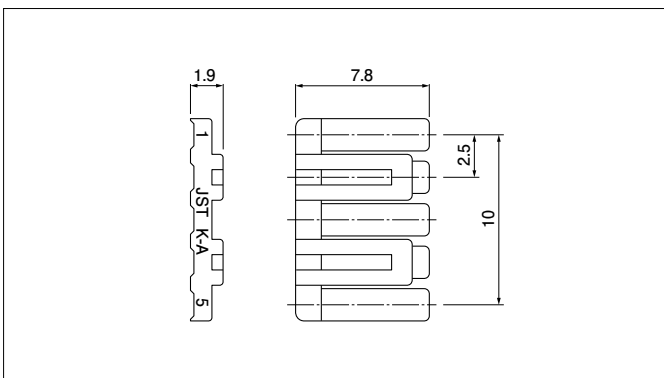
Pin: Copper alloy, copper-undercoated, tin-plated (reflow treatment)

Wafer: PA 6T, UL94V-0, black

Reinforcing tab: Copper alloy, copper-undercoated, tin-plated (reflow treatment)

RoHS2 compliance This product displays (LF)(SN) on a label.
This products listed above are supplied on embossed-tape.

Retainer



No. of circuits	Model No.	Q'ty/bag
5	XAGS-053-K	5,000

Material and Finish

PA 66, UL94V-0, black

RoHS2 compliance

单击下面可查看定价，库存，交付和生命周期等信息

[>>JST\(杰世腾\)](#)