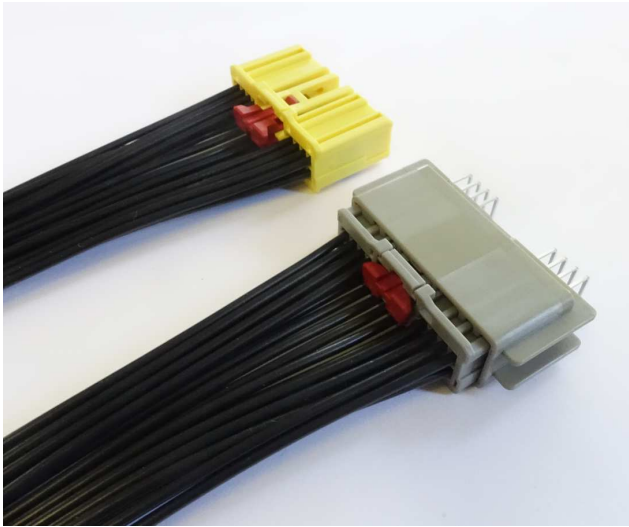


ATLC CONNECTOR

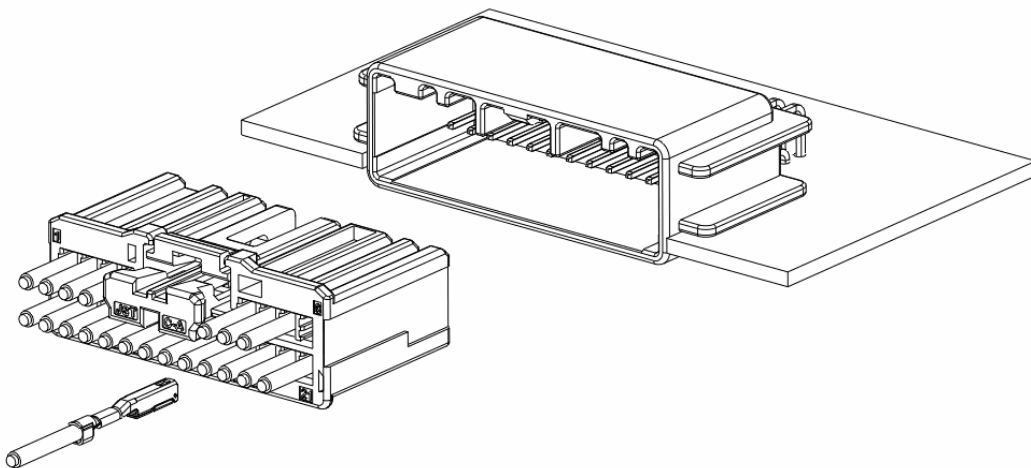
Board-to-wire



■ Features

- 21 Circuits: 0.64 Unsealed Connector
- Independent Secondary Lock Terminal Position Assurance (ISL TPA)
- Connector Position Assurance (CPA)
- Unique PCB mounting, Ultra-low profile side entry design
- Additional keying options with customised header options (not shown)
- For Automotive Applications

21 Circuits 0.64 Unsealed Connector System with CPA and ISL TPA. Ultra-low profile design for high density PCB placement.



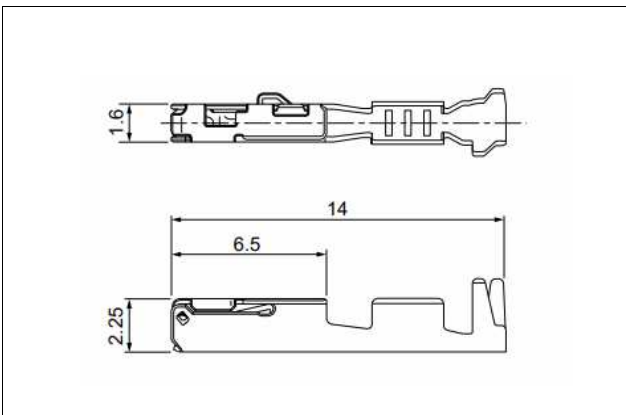
■ Specifications

- Current rating : 7 A DC (0.75mm²)
- Voltage rating : 14 V DC
- Temperature range : -40°C to +125°C
(including temperature rise in applying electrical current)
- Contact resistance : Initial value/ 15 mΩ max.
After environmental tests/ 15 mΩ max.
- Insulation resistance : 100 MΩ min.
- Withstanding voltage : 1,000 VAC /minute
- Applicable wire : ISO
0.35mm² to 0.75mm²
(Insulation O.D. 1.9mm max)

*Compliant with ELV/RoHS2.

*Contact JST for details.

Female Terminal

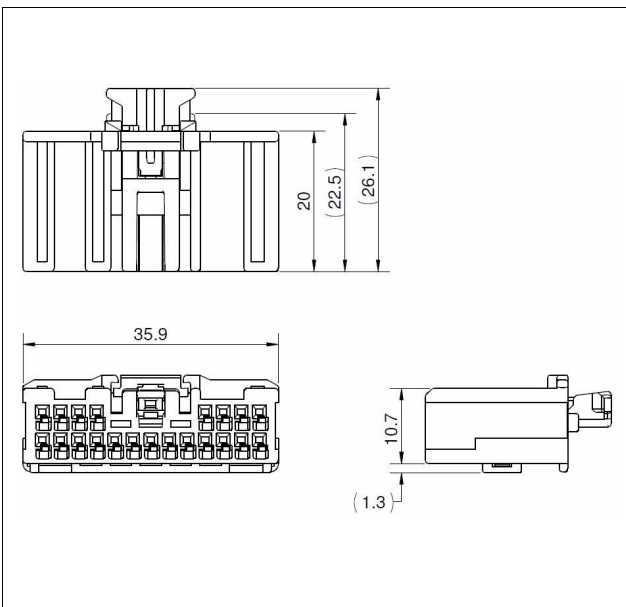


Model No.	Applicable wire range		Q'ty/reel
	Conductor (mm ²)	Insulation O.D. (mm)	
SAIT-A03T-M064	0.35 to 0.5	≤1.9	6,500
SAIT-A02T-M064	0.75	≤1.9	6,500

Material and Finish

Copper alloy, tin-plated (reflow treatment)

Female Connector

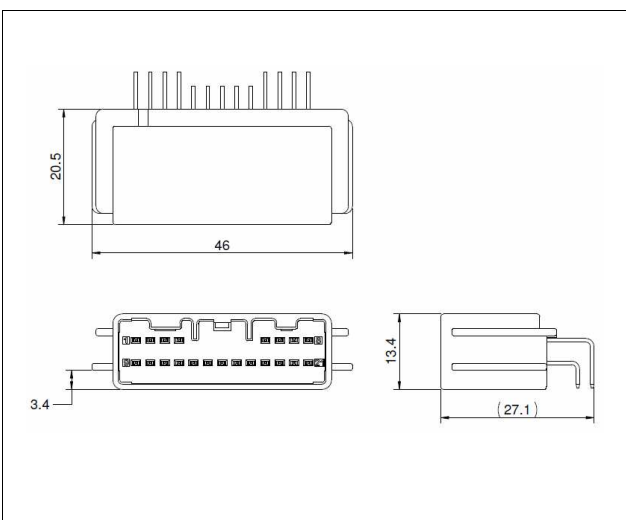


Circuits	Model No.	Key Code	Housing Color	TPA Color	Q'ty/box
21	ATLCPB-21B-2AY	A	Yellow	Black	1,000
	ATLCPB-21B-2BH	B	Gray	Natural	1,000

Material and Finish

Housing: PBT
 TPA: Glass-filled PBT
 CPA: Glass-filled PBT, Red

Male Connector

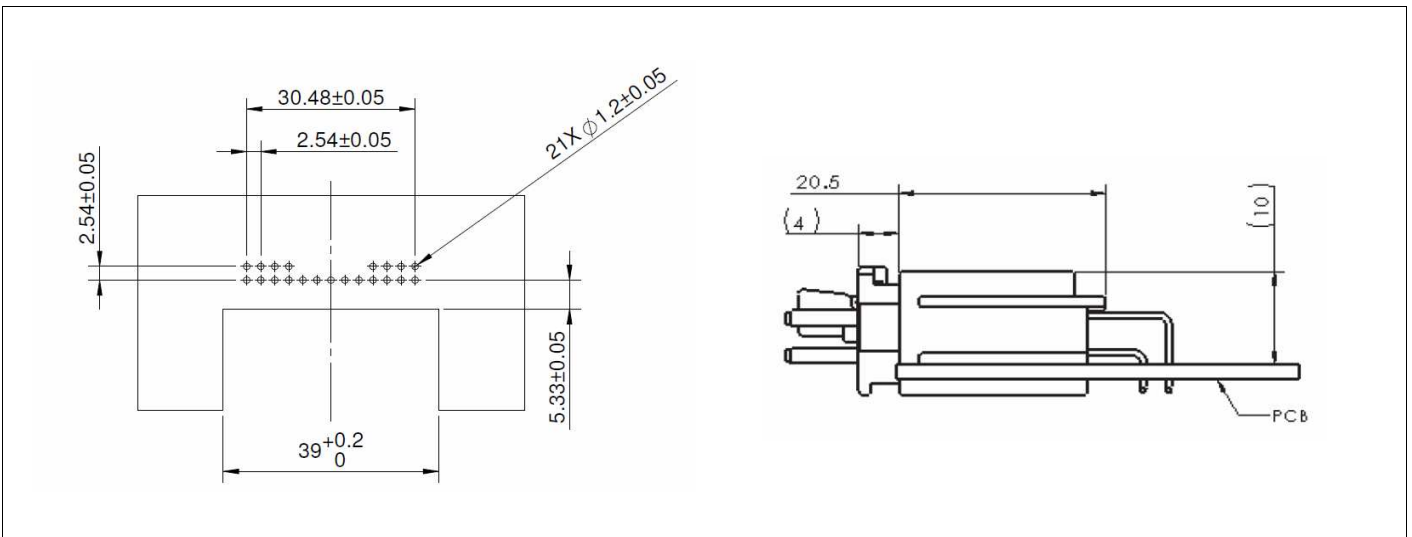


Circuits	Model No.	Key Code	Housing Color	Q'ty/box
21	S21B1-ATLC-2BH	B	Gray	700

Material and Finish

Housing: Glass-filled PBT
 Pin: Brass, tin-plated

PC Board layout, Assembly layout



Crimping machine, Applicator

Strip terminal	Crimping machine	Crimp applicator MKS-L	
		Dies	Crimp applicator with dies
SAIT-A03()-M064	AP-K2N	MK/SAIT-A03-064	APLMK SAIT-A03-064
SAIT-A02()-M064		MK/SAIT-A02-064	APLMK SAIT-A02-064

Note: 1. Contact JST for details.

2. When crimping operation is conducted using an applicator and die set other than the above, JST cannot guarantee the performance of the terminal.

单击下面可查看定价，库存，交付和生命周期等信息

[>>JST\(杰世腾\)](#)