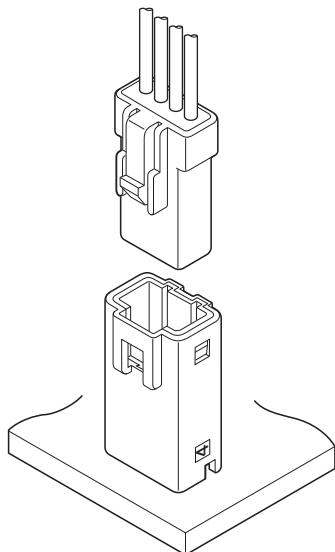


# JWPF CONNECTOR

2.0 mm pitch/Disconnectable Crimp style connectors

(Combined use for both wire-to-board and wire-to-wire connections)



This JWPF connector can be used for the place of which especially waterproof is required.

This is the wire-to-board connector that is grade 7 ingress protection of JIS C 0920 (IPX7 of IEC 60529).

- Waterproof performance
- Contained seal ring
- Solid rubber seal
- Double-spring construction
- Housing-to-terminal locks
- Inner housing lock
- Header for use specifically with resin coated ("potted") PC board

## Standards

Ⓜ : Recognized E60389

⚠ : R50326661

## Specifications

- Current rating: 3 A AC/DC (AWG #22)
- Voltage rating: 100 V AC/DC
- Temperature range: -55°C to +85°C  
(including temperature rise in applying electrical current)
- Contact resistance: Initial value/10 mΩ max.  
After environmental tests/15 mΩ max.
- Insulation resistance: 1,000 MΩ min.
- Withstanding voltage: 1,000 VAC/minute
- Applicable wire: AWG #26 to #22  
0.13 to 0.33 mm<sup>2</sup>  
Insulation O.D./1.4 to 1.7 mm
- Waterproof grade: Grade 7 ingress protection of JIS C 0920 (IPX7 of IEC 60529)

\* In using the products, refer to "Handling Precaution for Terminals and Connectors" described on our website (Technical documents of Product information page).

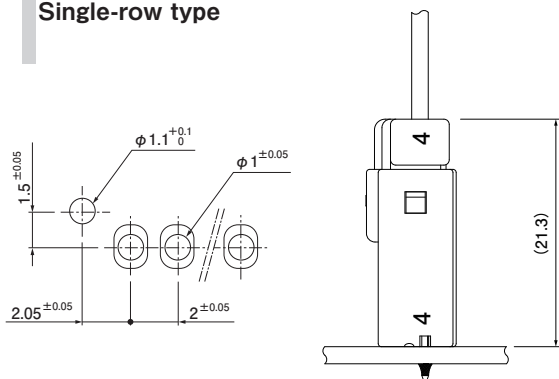
\* RoHS2 Compliance

\* Dimensional unit: mm

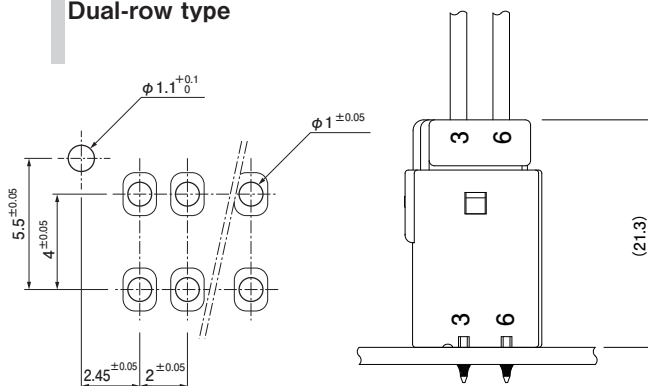
\* Contact JST for details.

## PC board layout and Assembly layout

### Single-row type



### Dual-row type



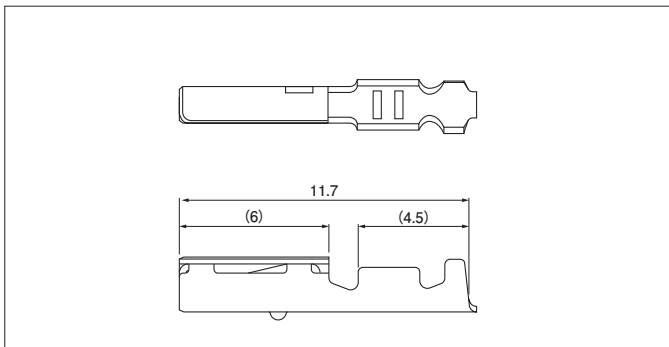
Note: 1. The above figure is the figure viewed from the connector mounting side.

2. Tolerances are non-cumulative: ± 0.05 mm for all centers.

3. Hole dimension differ according to the type of PC board and piercing method. If PC boards made of hard material are used, the hole dimensions should be larger. Please contact JST for details as the dimensions shown in the above figure are reference values.

# JWPF CONNECTOR

## Contact



Model No.	Applicable wire		Insulation O.D (mm)	Q'ty/reel
	mm <sup>2</sup>	AWG#		
SWPR-001T-P025	0.13 to 0.33	26 to 22	1.4 to 1.7	8,200

### Material and Finish

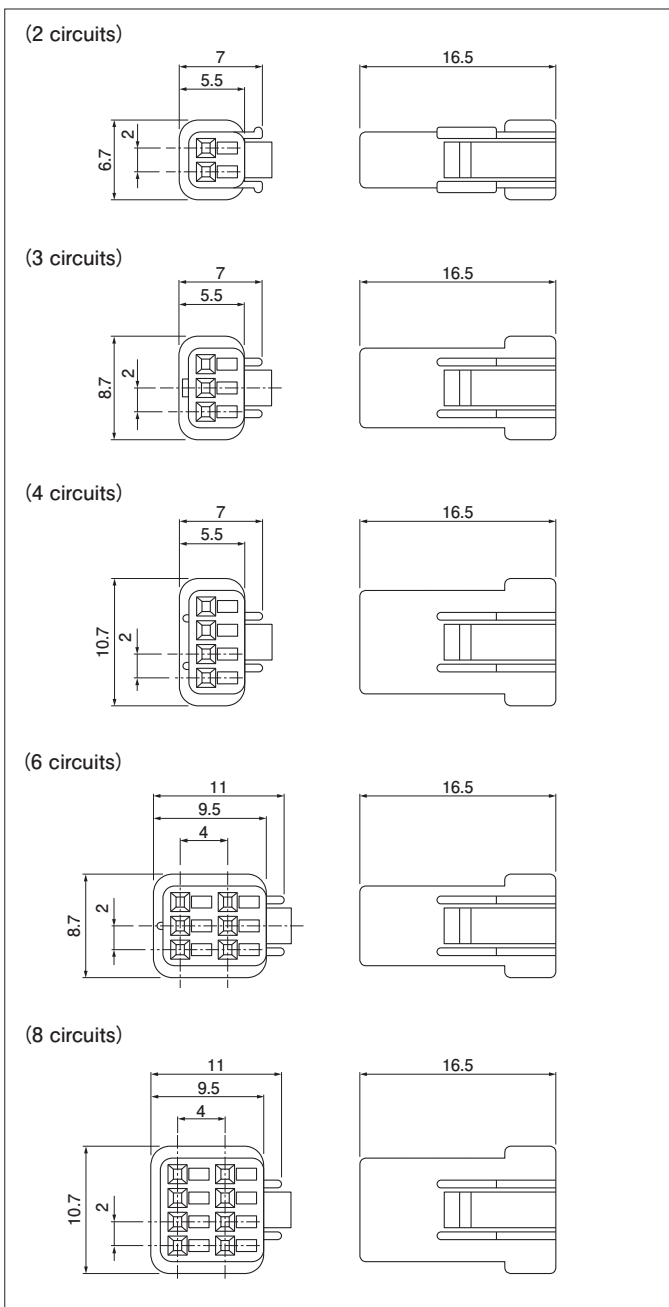
Copper alloy, tin-plated (reflow treatment)

### RoHS2 compliance

Contact	Crimping machine	Applicator	
		Crimp applicator	Crimp applicator with dies
SWPR-001T-P025	AP-K2N	MKS-L	APLMK SWPR/T001-025

Note: Contact JST for fully automatic crimping applicator.

## Housing



No. of circuits	Model No.	Q'ty/bag
2	02R-JWPF-VSLE-S	1,000
3	03R-JWPF-VSLE-S	1,000
4	04R-JWPF-VSLE-S	1,000
6	06R-JWPF-VSLE-D	1,000
8	08R-JWPF-VSLE-D	1,000

### Material and Finish

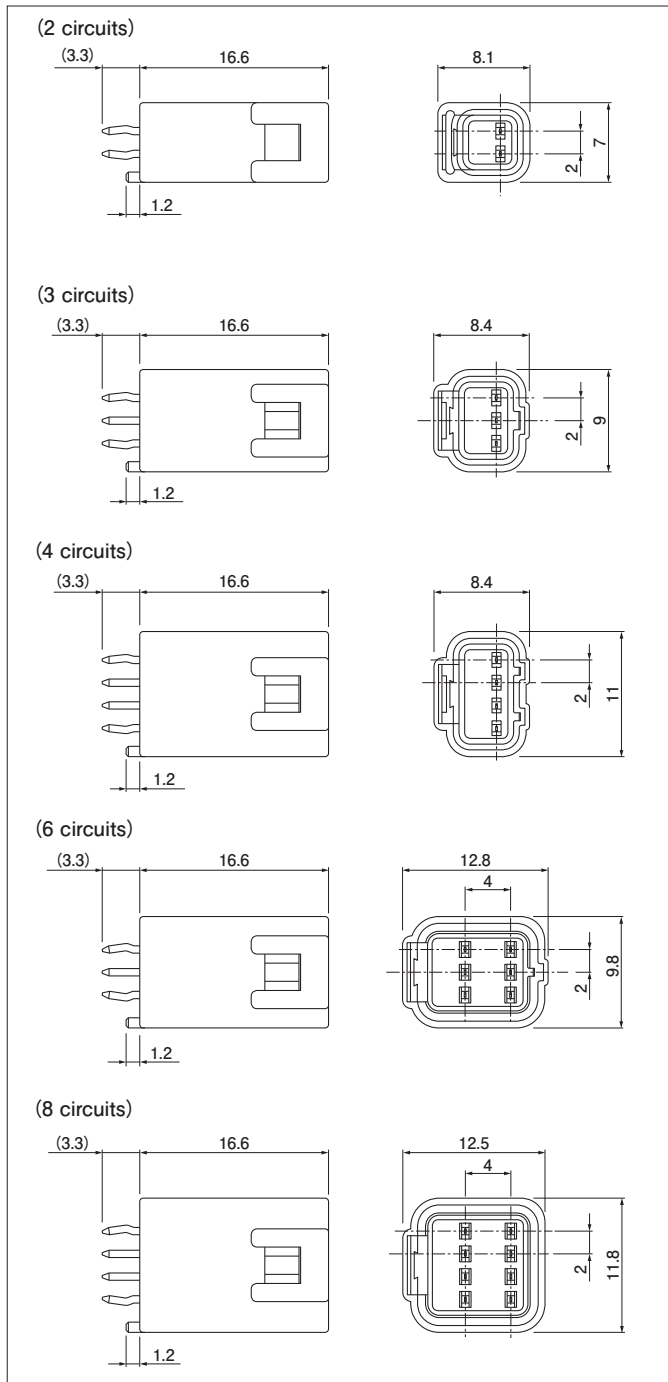
PBT, UL94V-0, natural (white)

### RoHS2 compliance

Note: Housing comes with seal rubber plate.

# JWPF CONNECTOR

## Header



Note: Header comes with a seal ring and a seal ring holder.

No. of circuits	Model No.	Q'ty/box
2	B02B-JWPF-SK-R	825
3	B03B-JWPF-SK-R	650
4	B04B-JWPF-SK-R	525
6	B06B-JWPF-SK-R	330
8	B08B-JWPF-SK-R	270

### Material and Finish

Press pin : Copper alloy, tin-plated (reflow treatment)  
 Seal ring : Silicon rubber  
 Seal ring holder : PBT, UL94V-0, yellow  
 Wafer : Glass-filled PBT, UL94V-0, natural (white)

RoHS2 compliance This product displays (LF) (SN) on a label.

## Model number allocation

### Contact

	S W P R - 001 T - P 025
Form: S··Strip form	
Series name	
Type of terminal: R··Receptacle	
Applicable wire: 001··AWG#26 to #22	
Surface finish: T··Tin-plated (reflow treatment)	
Material: P··Copper alloy	
Terminal size	

### Housing

	02 R - JWPF - V S LE - S
No. of circuits: 2 to 8	
Part name: Receptacle	
Series name	
Flammability: V··UL94V-0	
Housing color: S··natural (white)	
Rubber color: LE··Light blue	
Shape: S··Single-row type, D··Dual-row type	

### Header

	B 02 B - JWPF - S K - R
Shape of assembled product: B··Top entry type	
No. of circuits: 2 to 8	
Part name: Header	
Series name	
Color: S··natural (white)	
Indication of clinch: K··Clinched	
Packaging style: R··Packed in tray	

单击下面可查看定价，库存，交付和生命周期等信息

[>>JST\(杰世腾\)](#)