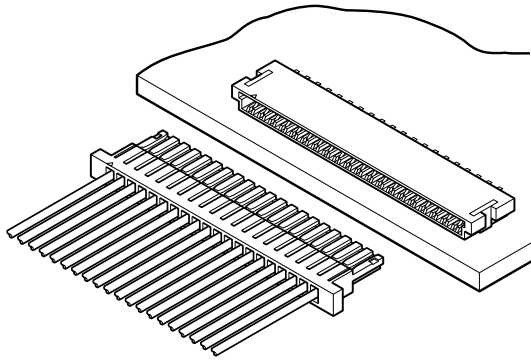


SHL CONNECTOR

1.0 mm pitch/Disconnectable Crimp style connectors



As the equipment becomes thinner and thinner, this is an ultra-thin connector with a mounting height of 1.8 mm, which was developed as a variation of our 1.0 mm pitch connectors.

- Thin design
- Low insertion force
- Prevention of deformation

Standards

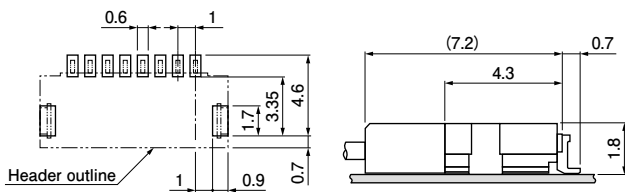
☑ :Recognized E 60389

Specifications

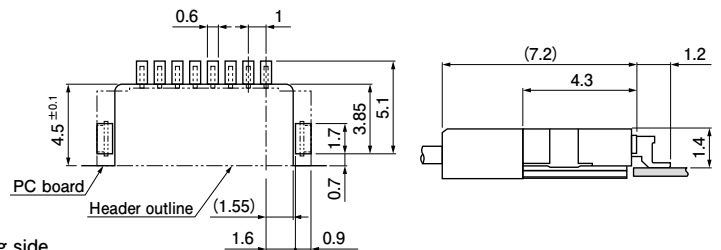
- Current rating: 1.0 A AC/DC (AWG #28)
- Voltage rating: 50 V AC/DC
- Temperature range: -25°C to +85°C
(including temperature rise in applying electrical current)
- Contact resistance: Initial value/ 20 mΩ max.
After environmental tests/ 40 mΩ max.
- Insulation resistance: 100 MΩ min.
- Withstanding voltage: 500 VAC/minute
- Applicable wire: AWG #32 to #28
- * In using the products, refer to "Handling Precautions for Terminals and Connectors" described on our website (Technical documents of Product information page).
- * RoHS2 compliance
- * Dimensional unit: mm
- * Contact JST for details.

PC board layout and Assembly layout

Normal type

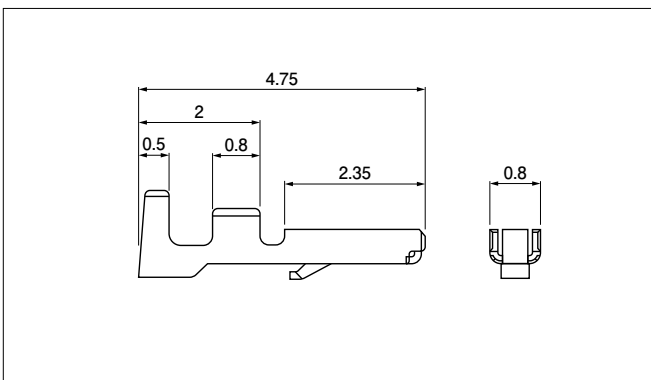


Offset type



- Note: 1. The above figure is the figure viewed from the connector mounting side.
 2. Tolerances are non-cumulative: ± 0.05 mm for all centers.
 3. Please contact JST for details as the dimensions shown in the above figure are reference values.

Contact



Model No.	Applicable wire		Insulation O.D. (mm)	Q'ty/ reel
	mm ²	AWG#		
SSH-003T-P0.2	0.032 to 0.08	32 to 28	0.4 to 0.8	41,000

Material and Finish

Phosphor bronze, tin-plated

RoHS2 compliance

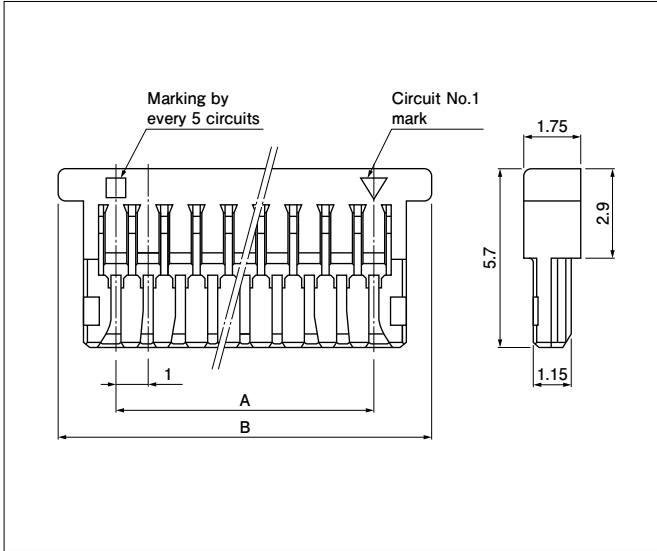
Note: Contact JST for gold-plated products.

Contact	Crimping machine	Applicator		
		Crimp applicator	Dies	Crimp applicator with dies
SSH-003T-P0.2	AP-K2N	MKS-L-10-3	MK/SSH/L-003-02	APLMK SSH/L003-02

Note: Contact JST for fully automatic crimping applicator.

SHL CONNECTOR

Housing



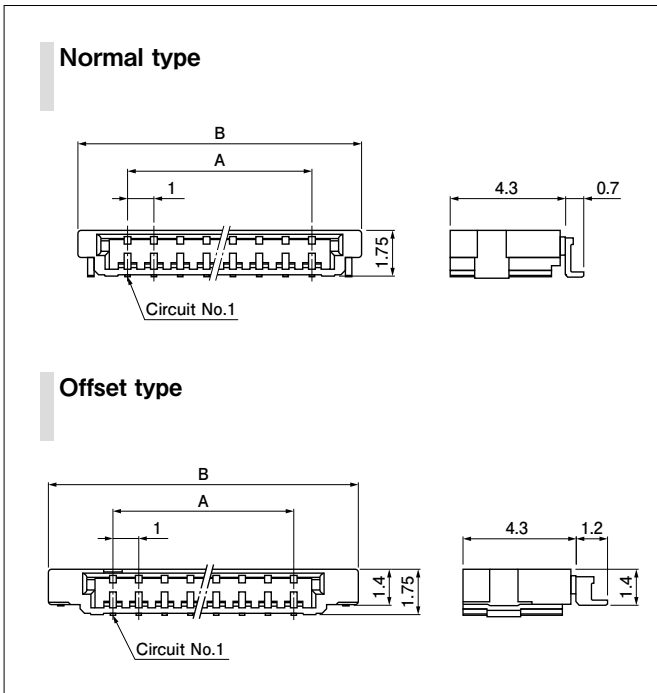
No. of circuits	Model No.	Dimensions (mm)		Q'ty/box
		A	B	
2	SHLP-02V-S-B	1.0	4.6	6,000
5	SHLP-05V-S-B	4.0	7.6	3,000
6	SHLP-06V-S-B	5.0	8.6	3,000
7	SHLP-07V-S-B	6.0	9.6	3,000
8	SHLP-08V-S-B	7.0	10.6	3,000
10	SHLP-10V-S-B	9.0	12.6	2,000
11	SHLP-11V-S-B	10.0	13.6	2,000
12	SHLP-12V-S-B	11.0	14.6	2,000
14	SHLP-14V-S-B	13.0	16.6	2,000
16	SHLP-16V-S-B	15.0	18.6	1,000
20	SHLP-20V-S-B	19.0	22.6	1,000
22	SHLP-22V-S-B	21.0	24.6	1,000
26	SHLP-26V-S-B	25.0	28.6	1,000
30	SHLP-30V-S-B	29.0	32.6	1,000

Material and Finish

PBT, UL94V-0, natural (white)

RoHS2 compliance

Header



No. of circuits	Model No.		Insulation O.D. (mm)				Q'ty/reel
	Normal type	Offset type	Normal type		Offset type		
			A	B	A	B	
2	SM02B-SHLS-TF	—	1.0	4.8	—	—	4,500
5	SM05B-SHLS-TF	—	4.0	7.8	—	—	4,500
6	SM06B-SHLS-TF	—	5.0	8.8	—	—	4,500
7	SM07B-SHLS-TF	—	6.0	9.8	—	—	4,500
8	SM08B-SHLS-TF	SM08B-SHLS-1-TF	7.0	10.8	7.0	12.0	4,500
10	SM10B-SHLS-TF	—	9.0	12.8	—	—	4,500
11	SM11B-SHLS-TF	—	10.0	13.8	—	—	4,500
12	SM12B-SHLS-TF	—	11.0	14.8	—	—	4,500
14	SM14B-SHLS-TF	—	13.0	16.8	—	—	4,500
16	SM16B-SHLS-TF	—	15.0	18.8	—	—	4,500
20	SM20B-SHLS-TF	SM20B-SHLS-1-TF	19.0	22.8	19.0	24.0	4,500
22	SM22B-SHLS-TF	—	21.0	24.8	—	—	4,500
26	SM26B-SHLS-TF	—	25.0	28.8	—	—	4,500
30	SM30B-SHLS-TF	—	29.0	32.8	—	—	4,500

Material and Finish

Contact: Phosphor bronze, copper-undercoated, tin-plated

Housing: PA, UL94V-0, natural (ivory)

Solder tab: Brass, copper-undercoated, tin-plated

RoHS2 compliance This product displays (LF)(SN) on a label.
Note: Contact JST for the headers with gold-plated pins.

SHL CONNECTOR

Model number allocation

Contact

S SHL - 003 T - P 0.2

Form : S...Strip form
Series name
Applicable wire : AWG #32 to #28
Surface finish : T...Tin-plated
GA1...Selective gold-plated
Material : P...Phosphor bronze
Terminal size

Housing

SHL P - 20 V - S - B

Series name
Part name : Plug
No. of circuits :
2, 5 to 8, 10 to 12, 14, 16, 20, 22, 26, 30
Flammability : V...UL94V-0
Color : S...Natural (White)
Shape : B...With protrusions

Header

SM 20 B - SHL S - - - TF

Shape of assembled product :
SM...SMT side entry type
No. of circuits :
Normal type...2, 5 to 8, 10 to 12,
14,16, 20, 22, 26, 30
Offset type...8, 20
Part name : Header
Series name
Color : S...Natural (Ivory)
Surface finish : None...Copper-undercoated, tin-plated
G...Nickel-undercoated, gold-plated
Shape : None...Normal type
1...Offset type
Packaging style : TF...Embossed-taping

单击下面可查看定价，库存，交付和生命周期等信息

[>>JST\(杰世腾\)](#)