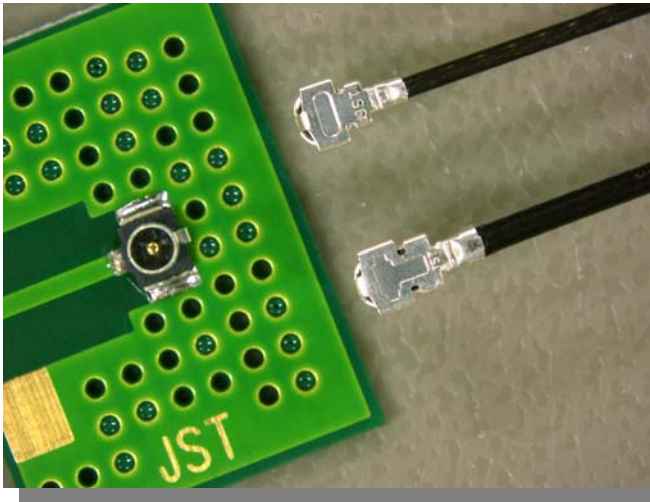


From DC to 12GHz



Applications

UWB, WiMAX, Wireless LAN, Bluetooth, DSRC, Mobile phones, PDA, GPS, Express, etc.

Features

- **This product can correspond to the frequency to 12GHz.**
A steady transmission characteristic up to 12 GHz.
As well as the conventional frequency band.
- **Space saving design.**
Responding to SMT, mounting space of 3.0mm×3.0mm, low profile of 2.0mm mated height.
- **Insertion and removal of a connector is easy.**
Dedicated tool (Part No. EJ-AYU1) can insert and remove a connector easily.
- **Extra fine high-frequency cable is adopted.**
It corresponds to the cable type [Dia.0.8, Dia.1.13].
- **Product corresponding to RoHS.**

General specification

- The characteristic impedance: 50 Ω
- Frequency range: DC to 12GHz
- V.S.W.R.

	Cable Type	DC to 3GHz	From 3 to 6GHz	From 6 to 12GHz
Socket (Harnessed)	Dia.0.81 (Single shield SA)	1.3 以下	1.3 以下	1.4 以下
	Dia.1.13 (Double shields TA)	1.3 以下	1.4 以下	1.4 以下
Base		1.3 以下	1.4 以下	1.5 以下

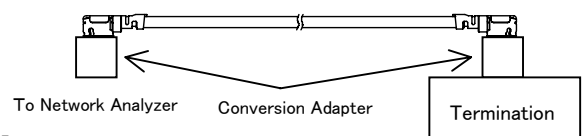
Insertion loss [dB/m]

	Cable Type	3GHz	6GHz	12GHz
Socket (Harnessed)	Dia.0.81 (Single shield SA)	5.8	9.4	14.9
	Dia.1.13 (Double shields TA)	2.9	4.1	6.1
Base		—	—	—

※The above V.S.W.R. Standard values were measured using the measurement connection shown below.

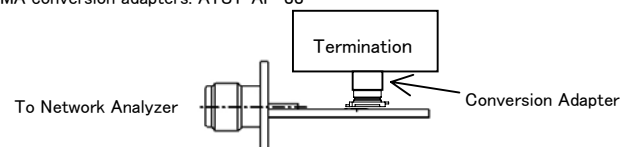
【Socket(Harnessed)】

Socket (Harnessed): Total length 5,000mm. Connector both end harness.
SMA conversion adapters: AYU1-AP-PP



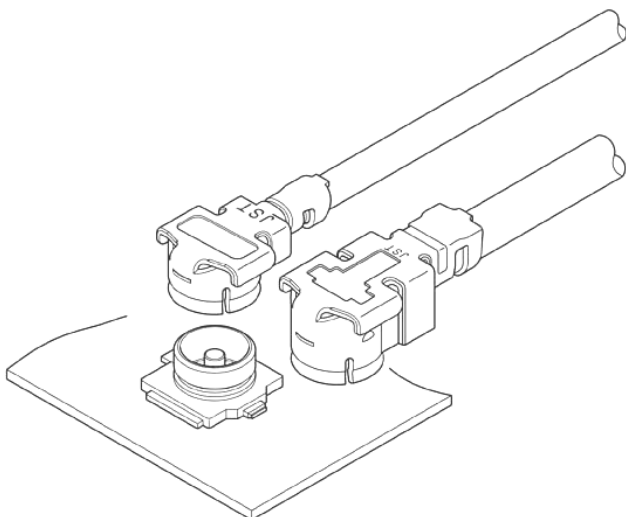
【Base】

Base connector: AYU1-1P-02676-120
SMA conversion adapters: AYU1-AP-JJ

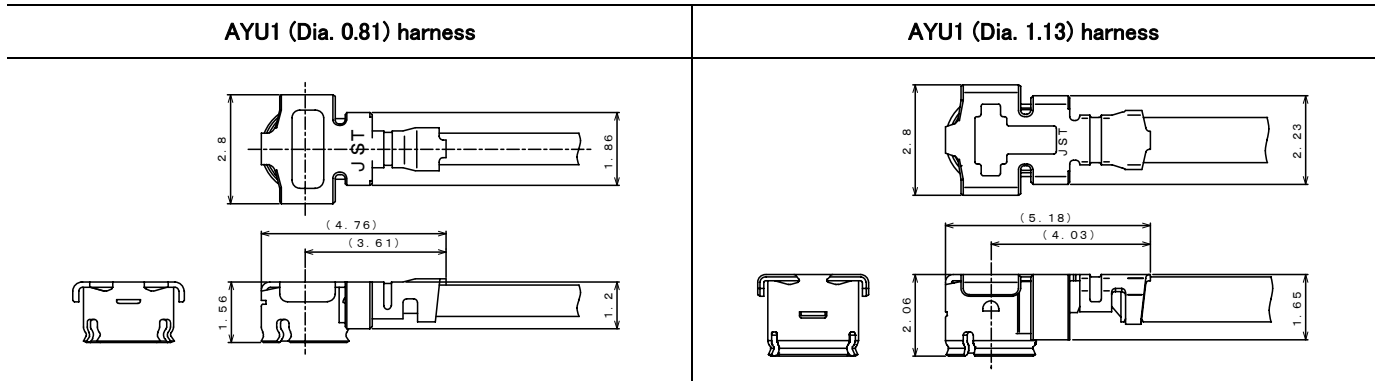


- Operating temperature range: -25°C to +85°C
- Withstanding voltage: 200V AC / 1 minute

※Contact JST for details.



Socket (Harnessed)



Material and finish Contact: Copper alloy. Nickel-undercoated, gold-plated.
 Housing: Thermoplastic resin, UL94V-0
 Shell: Copper alloy. Copper-undercoated, silver-plated.

Specification

Cable Type (Jacket Diameter, Outer Conductor)	Total length: L	
	Part No. (Single end harness)	Part No. (Both end harness)
Dia.0.81 (1 layer shield SA)	AYU1-1S21-SYYYY-ZZZV (LF)	AYU1-1S21-XYYYY-000V (LF)
Dia.1.13 (double shields TA)	AYU1-1S13-SYYYY-ZZZV (LF)	AYU1-1S13-XYYYY-000V (LF)

Note1) Outer Conductor SA: Silver plating annealed copper wire. TA: Tin plating annealed copper wire.

Note2) The following alphabet and number shall be put in the model No.

X...alphabet denotes cable end treatment. (D: Both end harness/same direction, R: Both end harness/reverse direction)

Y...number denotes harness length.

Z...number denotes strip length.

V...alphabet denotes color identification. (Blank: Black, G: Gray, W: White, B: Blue)

Example1) Dia.1.13(Double shields TA) cable, both end harness(same direction), total length: 251mm, wire color: Black

Part No.: AYU1-1S13-D0251-000 (LF)

Example 2) Dia.0.81(Single shield SA) cable, single end harness, total length: 800mm, strip length: (conductor 2.0mm, dielectric1.0mm, insulator1.0mm), wire color: white

Part No.: AYU1-1S21-S0800-213W (LF)

Contact JST for details about total length and specifics of terminal processing.

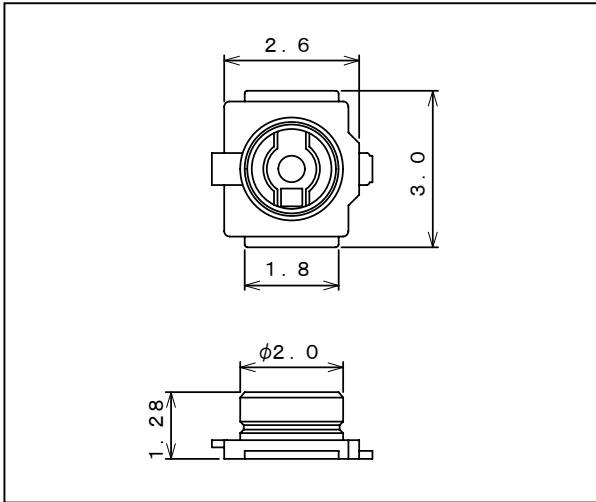
● Total standard tolerance for total length of harness.

Total length: L (mm)	Standard tolerance (mm)
$35 \leq L \leq 200$	± 4
$200 < L \leq 500$	± 8
$500 < L \leq 1000$	± 12
$1000 <$	$\pm 1.5\%$

※Shortest length L is 35mm

JST AYU1 CONNETOR

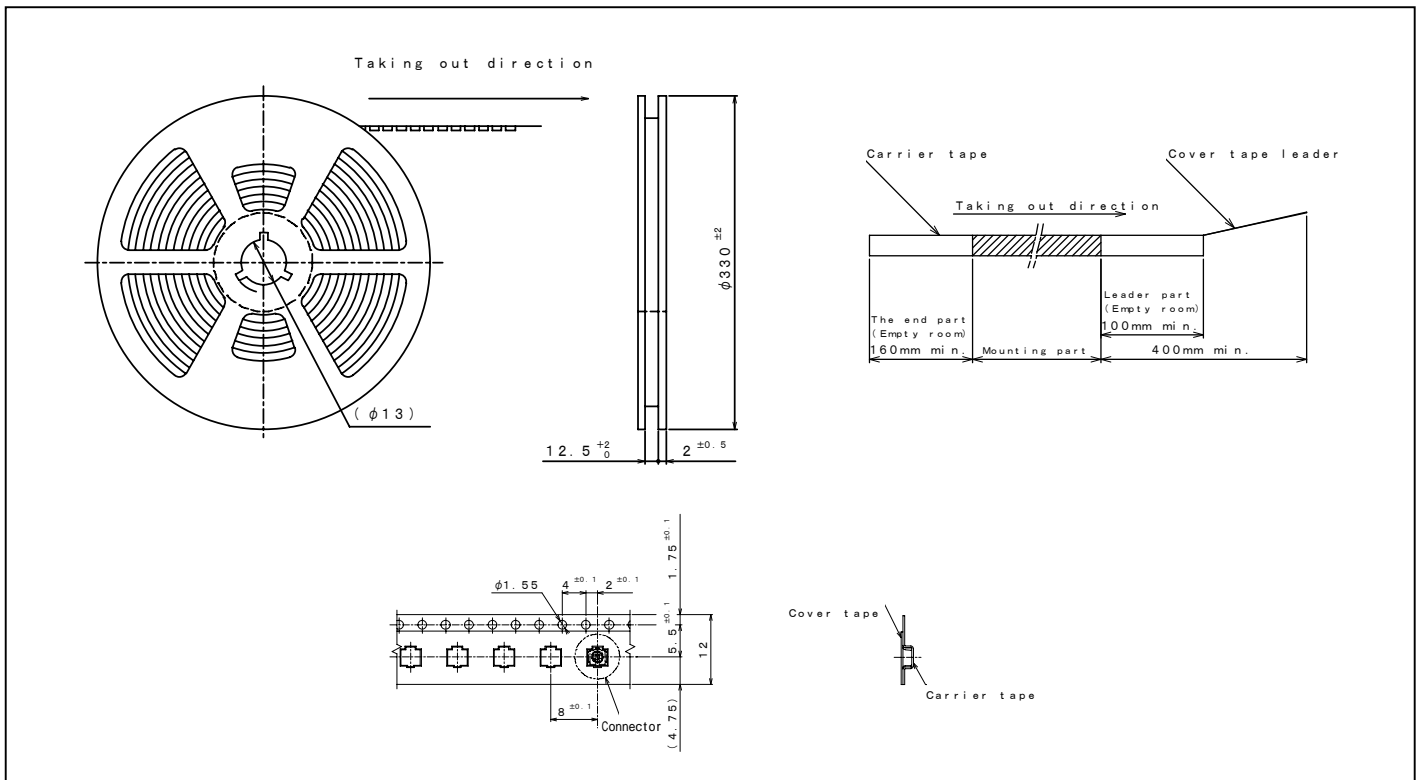
Base



Part No.	Material and Finish	Q'ty / reel
AYU1-1P-02676-120	Contact: Copper alloy. Nickel-undercoated, gold-plated.	5,000
	Housing: Thermoplastic resin, UL94V-0	
	Shell: Copper alloy. Copper-undercoated, silver-plated.	

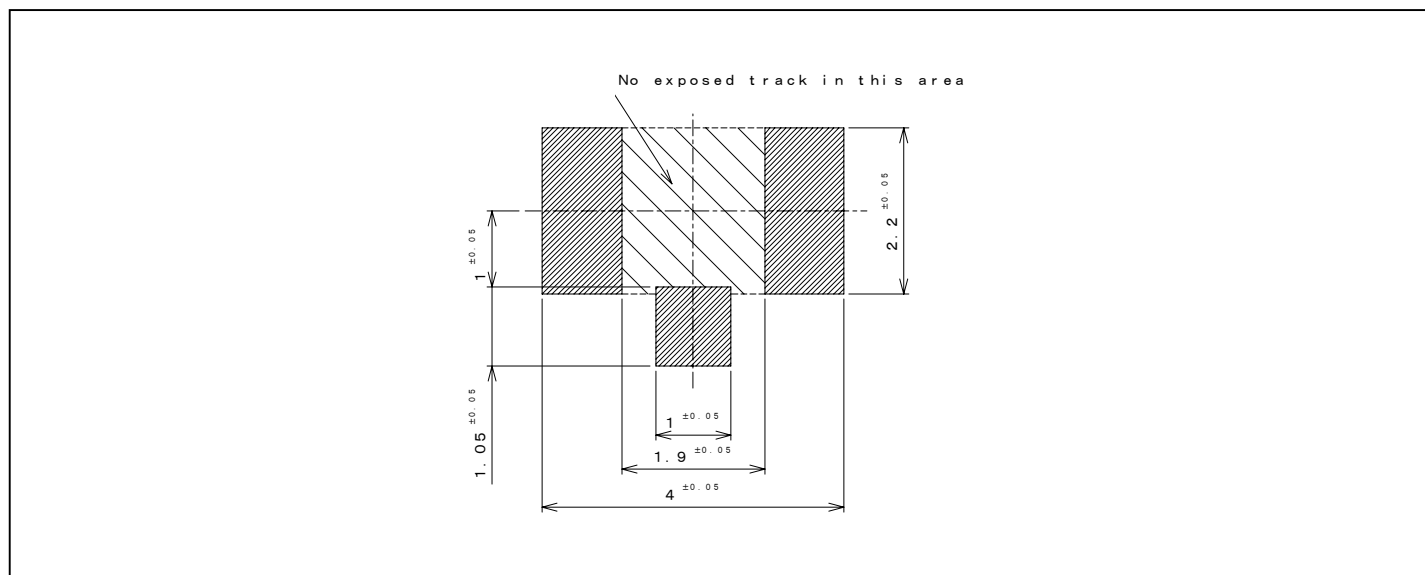
● Product corresponding to RoHS.

Taping Specifications



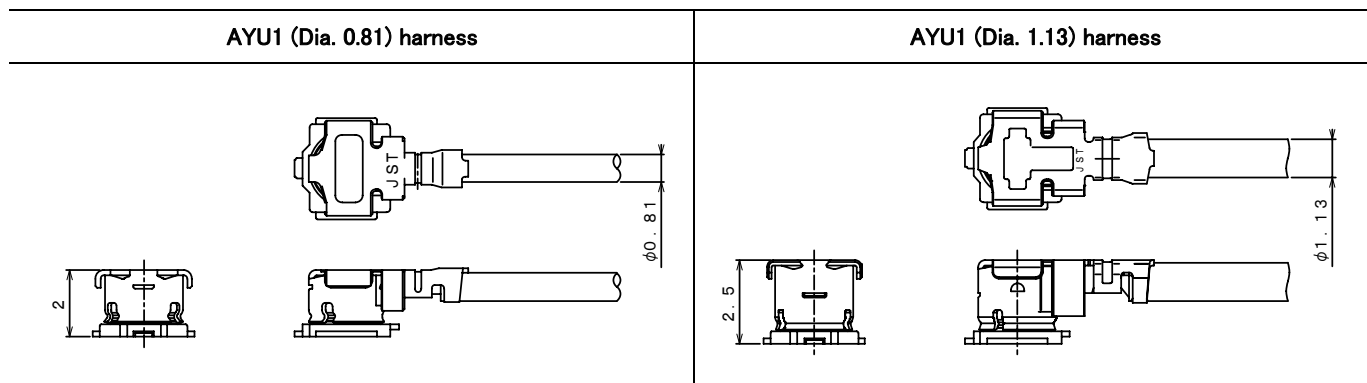
- Specifications conform to JIS C 0806. The tape width, connector loading recess square hole dimensions, etc. are determined by the number of circuits and external shape of the connector to be loaded.
- Specifications are subject to change without prior notice.

PC board layout



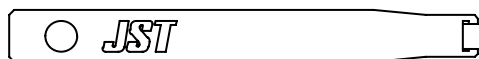
Note) Tolerances are non-cumulative; $\pm 0.05\text{mm}$ for all centers.
 The dimensions above should serve as a guideline.
 Contact JST for details.

Assembly layout



■ Dedicated tool

Part No.: EJ-AYU1



单击下面可查看定价，库存，交付和生命周期等信息

[>>JST\(杰世腾\)](#)