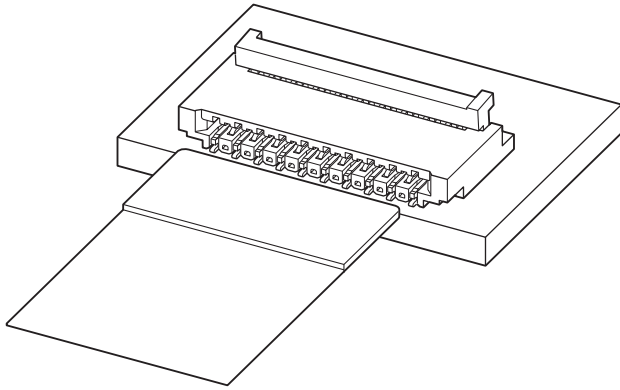


# FXRH CONNECTOR



0.3mm pitch/Connectors for FPC



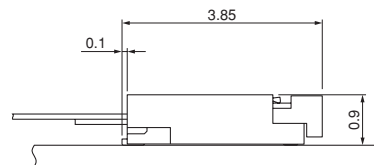
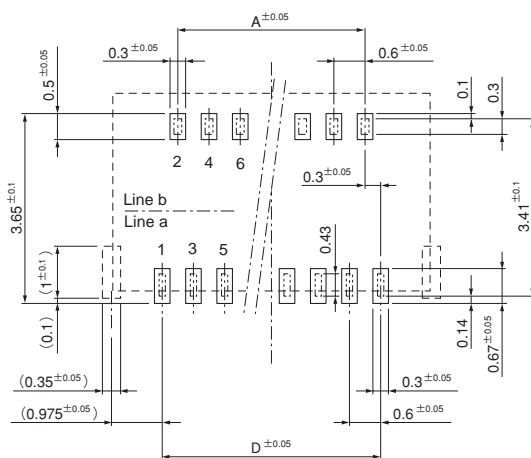
**This FXRH connector is ZIF type connector for FPC with only 0.9 mm height.**

- Low profile with 0.9 mm height and ZIF type
- Compact mounting space
- Heat resisting design suitable for surface mounting
- Double-sided contact
- Back-flip lock mechanism
- PCB pattern and FPC are in common with FXR connector

## Specifications

- Current rating: 0.2 A AC, DC
  - Voltage rating: 50 V AC, DC
  - Temperature range: -25°C to +85°C  
(including temperature rise in applying electrical current)
  - Contact resistance: Initial value/ 150 mΩ max.  
After environmental tests/ 60 mΩ max.  
(variation from initial value)
  - Insulation resistance: 50 MΩ min.
  - Withstanding voltage: 200 VAC/minute
  - Applicable FPC: Conductor pitch/ 0.3 mm  
Conductor width/ 0.3 mm  
Mating part thickness/  $0.2 \pm 0.03$  mm
- \* Refer to "General Instruction and Notice when using Terminals and Connectors" at the end of this catalog.  
\* Contact JST for details.  
\* Compliant with RoHS.

## PC board layout and Assembly layout

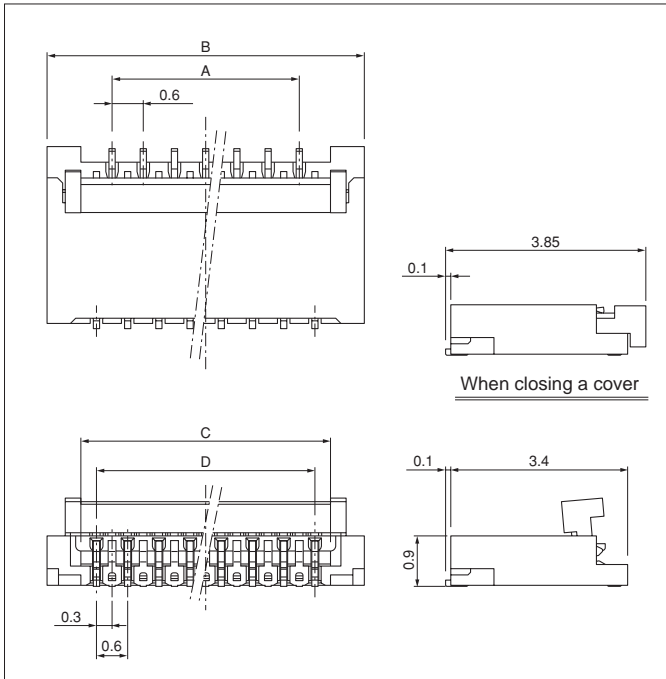


Dimensions in parentheses are the reference dimensions when the pattern is in common with FXR connector.

Note: 1. Tolerances are non-cumulative:  $\pm 0.05$  mm for all centers.  
2. The dimensions above should serve as a guideline. Contact JST for details.

# FXRH CONNECTOR

## Connector



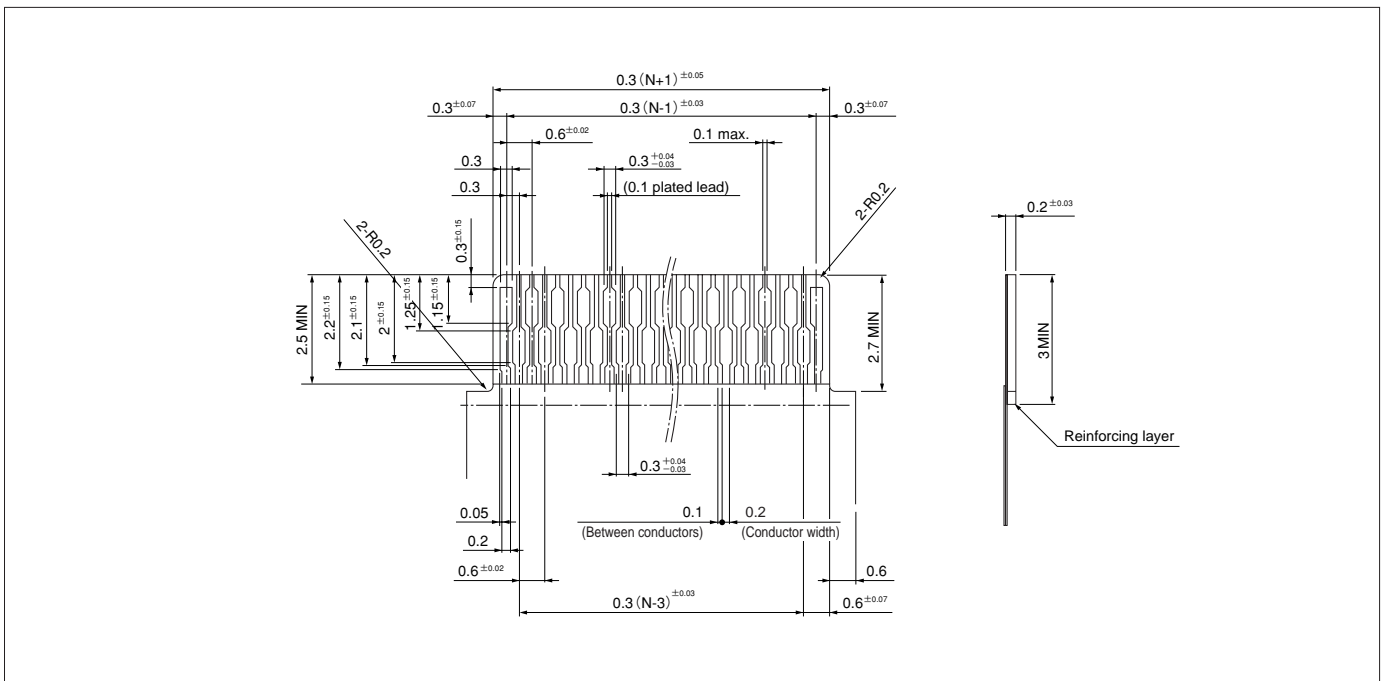
Circuits	Model No.	Dimensions (mm)				Q'ty/ reel
		A	B	C	D	
19	19FXRH-SM1-GAN-TF	4.8	7.3	6.0	5.4	5,000
21	21FXRH-SM1-GAN-TF	5.4	7.9	6.6	6.0	5,000
25	25FXRH-SM1-GAN-TF	6.6	9.1	7.8	7.2	5,000
29	29FXRH-SM1-GAN-TF	7.8	10.3	9.0	8.4	5,000
33	33FXRH-SM1-GAN-TF	9.0	11.5	10.2	9.6	5,000
35	35FXRH-SM1-GAN-TF	9.6	12.1	10.8	10.2	5,000
39	39FXRH-SM1-GAN-TF	10.8	13.3	12.0	11.4	5,000
45	45FXRH-SM1-GAN-TF	12.6	15.1	13.8	13.2	5,000
51	51FXRH-SM1-GAN-TF	14.4	16.9	15.6	15.0	5,000
55	55FXRH-SM1-GAN-TF	15.6	18.1	16.8	16.2	5,000
61	61FXRH-SM1-GAN-TF	17.4	19.9	18.6	18.0	5,000

### Material and Finish

Contact: Copper alloy, nickel-undercoated, gold-plated (nickel-stripe)  
 Cover: PA 6T, UL94V-0  
 Housing: LCP, UL94V-0

**RoHS compliance**

## Lead section dimensions of FPC



Note: N --- Number of circuits

单击下面可查看定价，库存，交付和生命周期等信息

[>>JST\(杰世腾\)](#)