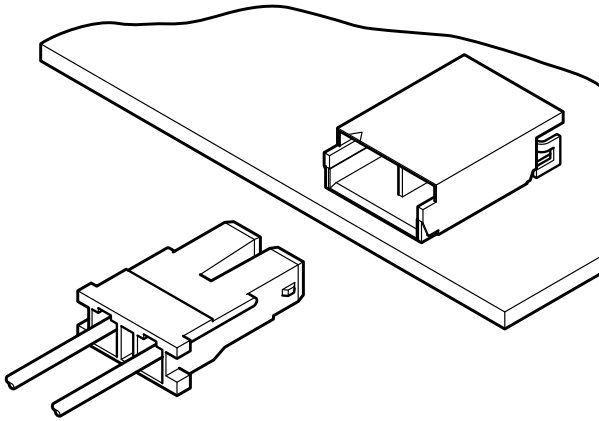




BHS CONNECTOR



3.5mm pitch/Disconnectable Crimp style connectors



- Low profile
- SMT configuration
- Applicable to special wires
- Housing lock also serves as polarizing device
- Adopt wide large for socket contact

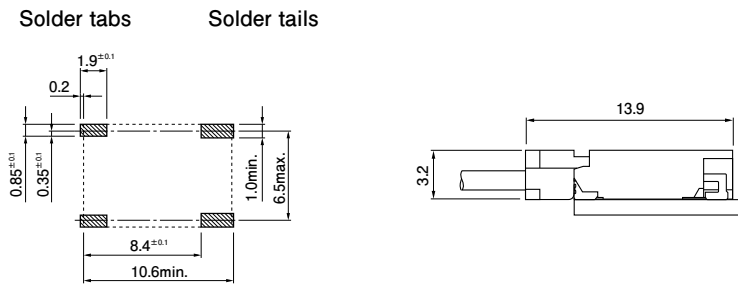
Specifications

- Current rating: 1.0A AC, DC (AWG #24)
- Voltage rating: 1,400V AC, DC
- Temperature range: -25°C to +85°C
(including temperature rise in applying electrical current)
- Contact resistance: Initial value/10mΩ max.
After environmental testing/20mΩ max.
- Insulation resistance: 1,000MΩ min.
- Withstanding voltage: 3,800V AC/minute
- Applicable wire: AWG #28 to #24
Insulation O.D./0.9 to 1.7mm
- * Compliant with RoHS.
- * Refer to "General Instruction and Notice when using Terminals and Connectors" at the end of this catalog.
- * Contact JST for details.

Standards

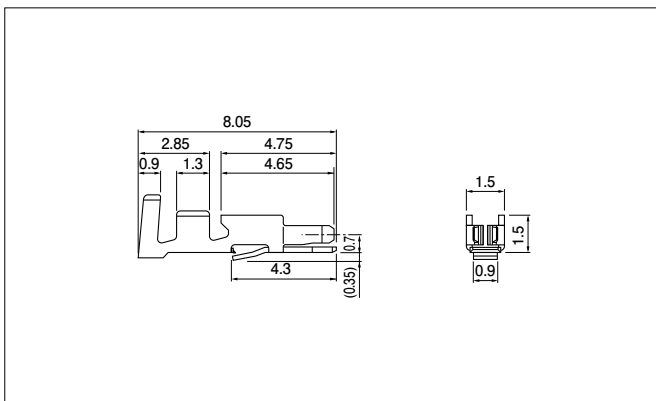
- ♻️ Recognized E60389
- Ⓢ Certified LR20812

PC board layout (viewed from component side) and Assembly layout



- Note: 1. Tolerances are non-cumulative: ± 0.1mm for all centers.
2. The dimensions above should serve as a guideline. Contact JST for details.

Contact



| Model No. | Applicable wire | | Insulation O.D. (mm) | Q'ty/reel |
|-----------------|-----------------|----------|----------------------|-----------|
| | mm ² | AWG# | | |
| SBHS-002T-P0.5A | 0.08 to 0.22 | 28 to 24 | 0.9 to 1.7 | 10,000 |

Material and Finish

Phosphor bronze, tin-plated (reflow treatment)

RoHS compliance

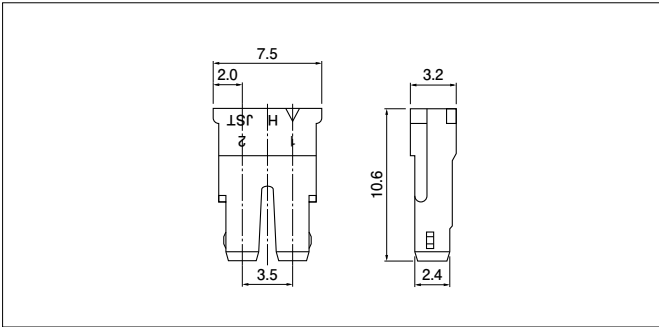
Note: Contact JST for the conventional product (SBHS-002T-P0.5).

| Contact | Crimping machine | Applicator | | |
|-----------------|------------------|------------------|----------------|----------------------------|
| | | Crimp applicator | Dies | Crimp applicator with dies |
| SBHS-002T-P0.5A | AP-K2N | MKS-L | MK/SBHS-002-05 | APLMK SBHS002-05 |
| | | — | — | — |

Note: Contact JST for fully automatic crimping applicator.

BHS CONNECTOR

Housing

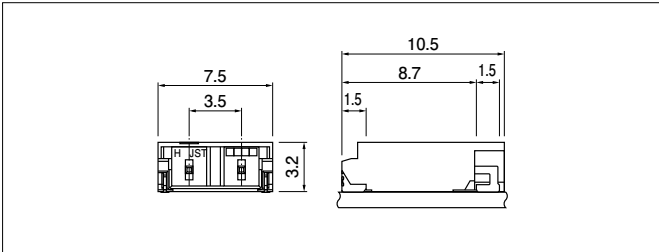


| No. of circuits | Model No. | Q'ty / bag |
|-----------------|-----------------|------------|
| 2 | BHSR-02VS-1 (N) | 1,000 |

| Material |
|---------------------------------|
| PA 66, UL94V-0, natural (white) |

RoHS compliance
 Note: Contact JST for the conventional product (BHSR-02VS-1).

Header



| No. of circuits | Model No. | Q'ty / reel |
|-----------------|-----------------|-------------|
| 2 | SM02B-BHSS-1-TB | 1,000 |

| Material and Finish |
|--|
| Post: Brass, copper-undercoated, tin-plated (reflow treatment) Wafer: PPA, UL94V-0, natural (ivory) Solder tab: Brass, copper-undercoated, tin-plated (reflow treatment) |

RoHS compliance This product displays (LF)(SN) on a label.
 Note: The products listed above are supplied on embossed tape.

Model number allocation

Contact

S BHS - 002 T - P 0.5 A

Form: S...Strip form
 Series name
 Applicable wire range: 002...AWG #28 to AWG #24
 Surface finish: T...Tin-plated (reflow treatment)
 Material: P...Phosphor bronze
 Terminal size
 Shape: A...Type A

Housing

BHS R - 02 V S - 1 (N)

Series name
 Part name: Receptacle
 No. of circuits: 2-circuit only
 Flammability: V...UL94V-0
 Color: S...Natural (White)
 Shape: 1...With protrusion
 Sub model number

Header

SM 02 B - BHSS - 1 - TB

Shape of assembled product:
 SM...SMT side entry type
 No. of circuits: 2-circuit only
 Part name: Header
 Series name
 Color: S...Natural (Ivory)
 Shape: 1...Without boss
 Packaging style: TB...Embossed-taping

单击下面可查看定价，库存，交付和生命周期等信息

[>>JST\(杰世腾\)](#)