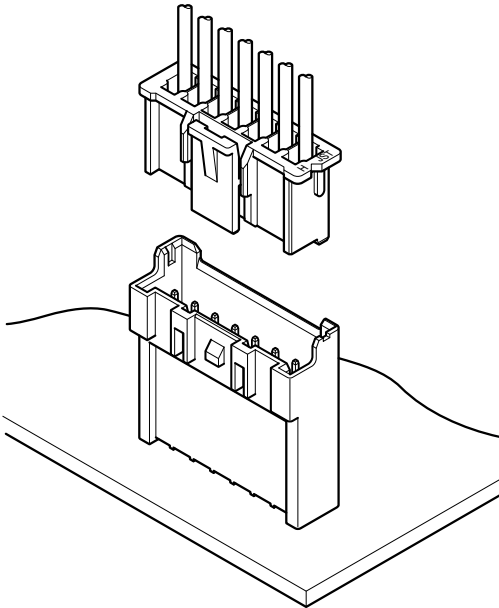


XA CONNECTOR (High box type)



2.5 mm pitch/Disconnectable Crimp style connectors



XA connector high box type, with 19.5 mm mounting height and with 6.9 mm thickness.

- Header for 2.5 mm pitch XA connector for use specifically with resin coated ("potted") PC boards
- Interchangeability

Specifications

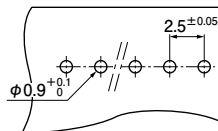
- Current rating: 3 A AC/DC (AWG #22)
 - Voltage rating: 250 V AC/DC
 - Temperature range: -25°C to +85°C
(including temperature rise in applying electrical current)
 - Contact resistance: Initial value/ 10 mΩ max.
After environmental tests/ 20 mΩ max.
 - Insulation resistance: 1,000 MΩ min.
 - Withstanding voltage: 1,000 VAC/minute
 - Applicable wire: AWG #28 to #22
 - Applicable PC board thickness: 1.6 mm
- * In using the products, refer to "Handling Precautions for Terminals and Connectors" described on our website (Technical documents of Product information page).
- * RoHS2 compliance
- * Dimensional unit: mm
- * Contact JST for details.

Standards

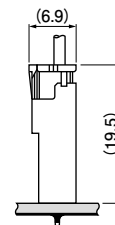
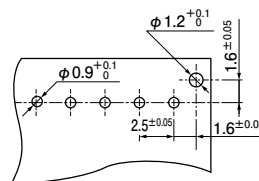
- Ⓜ Recognized E60389
- Ⓢ Certified LR20812
- △ R9851220

PC board layout and Assembly layout

Without a boss



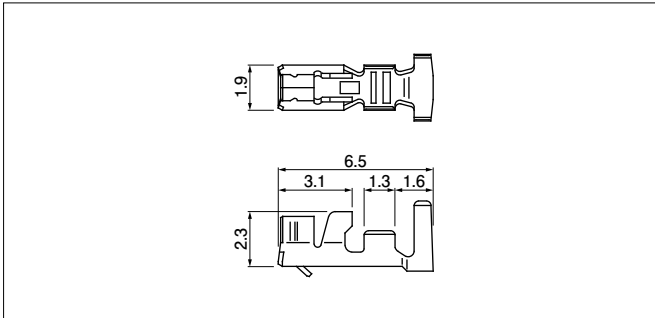
With a boss



- Note: 1. The above figure is the figure viewed from the connector mounting side .
2. Tolerances are non-cumulative: ± 0.05 mm for all centers.
3. Hole dimensions differ according to the type of PC board and piercing method.
The dimensions above should serve as a guideline. Contact JST for details.

XA CONNECTOR (High box type)

Contact



| Model No. | Applicable wire | | | Q'ty/reel |
|---------------|-----------------|-------|----------------------|-----------|
| | mm ² | AWG # | Insulation O.D. (mm) | |
| SXA-001T-P0.6 | 0.08~0.33 | 28~22 | 0.8~1.9 | 8,000 |

Material and Finish

Phosphor bronze, tin-plated (reflow treatment)

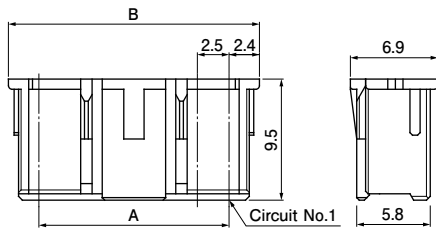
RoHS2 compliance

| Contact | Crimping machine | Applicator | | |
|---------------|------------------|------------------|-----------------|----------------------------|
| | | Crimp applicator | Dies | Crimp applicator with dies |
| SXA-001T-P0.6 | AP-K2N | MKS-L | MK/SXA/M-001-06 | APLMK SXA/M001-06 |

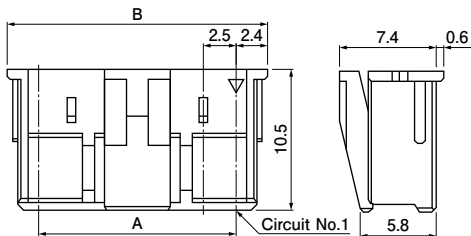
Note: Contact JST for fully automatic crimping applicator.

Housing

Standard type



Retainer mountable type



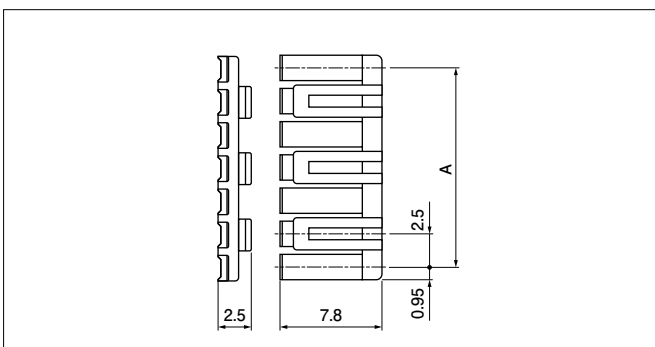
| No. of circuits | Model No. | | Dimensions (mm) | | Q'ty/bag | |
|-----------------|---------------|-------------------------|-----------------|------|---------------|-------------------------|
| | Standard type | Retainer mountable type | A | B | Standard type | Retainer mountable type |
| 2 | XAP-02V-1 | XARP-02V | 2.5 | 7.3 | 1,000 | 1,000 |
| 3 | XAP-03V-1 | XARP-03V | 5.0 | 9.8 | 1,000 | 1,000 |
| 4 | XAP-04V-1 | XARP-04V | 7.5 | 12.3 | 1,000 | 1,000 |
| 5 | XAP-05V-1 | XARP-05V | 10.0 | 14.8 | 1,000 | 1,000 |
| 6 | XAP-06V-1 | XARP-06V | 12.5 | 17.3 | 1,000 | 1,000 |
| 7 | XAP-07V-1 | XARP-07V | 15.0 | 19.8 | 1,000 | 1,000 |
| 8 | XAP-08V-1 | XARP-08V | 17.5 | 22.3 | 1,000 | 1,000 |
| 9 | XAP-09V-1 | XARP-09V | 20.0 | 24.8 | 1,000 | 1,000 |
| 10 | XAP-10V-1 | XARP-10V | 22.5 | 27.3 | 1,000 | 1,000 |
| 11 | XAP-11V-1 | XARP-11V | 25.0 | 29.8 | 1,000 | 1,000 |
| 12 | XAP-12V-1 | XARP-12V | 27.5 | 32.3 | 1,000 | 1,000 |
| 13 | XAP-13V-1 | XARP-13V | 30.0 | 34.8 | 1,000 | 1,000 |
| 14 | XAP-14V-1 | XARP-14V | 32.5 | 37.3 | 500 | 1,000 |
| 15 | XAP-15V-1 | XARP-15V | 35.0 | 39.8 | 500 | 1,000 |

Material and Finish

PA 66, UL94V-0, natural (white)

RoHS2 compliance

Retainer



Material and Finish

Glass-filled PA 66, UL94V-0, natural (ivory)

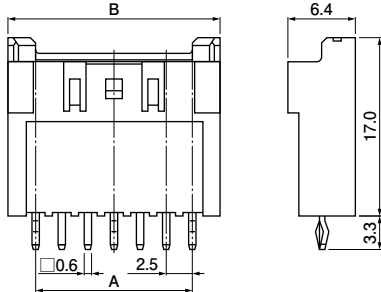
RoHS2 compliance

| No. of circuits | Model No. | A | Q'ty/bag |
|-----------------|-----------|------|----------|
| 2 | XMS-02V | 2.5 | 1,000 |
| 3 | XMS-03V | 5.0 | 1,000 |
| 4 | XMS-04V | 7.5 | 1,000 |
| 5 | XMS-05V | 10.0 | 1,000 |
| 6 | XMS-06V | 12.5 | 1,000 |
| 7 | XMS-07V | 15.0 | 1,000 |
| 8 | XMS-08V | 17.5 | 1,000 |
| 9 | XMS-09V | 20.0 | 1,000 |
| 10 | XMS-10V | 22.5 | 1,000 |
| 11 | XMS-11V | 25.0 | 1,000 |
| 12 | XMS-12V | 27.5 | 1,000 |
| 13 | XMS-13V | 30.0 | 1,000 |
| 14 | XMS-14V | 32.5 | 1,000 |
| 15 | XMS-15V | 35.0 | 1,000 |

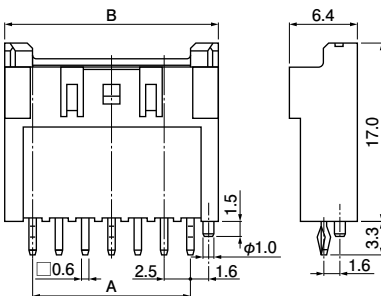
XA CONNECTOR (High box type)

Header

Without a boss



With a boss



| No. of circuits | Model No. | | Dimensions (mm) | | Q'ty/box |
|-----------------|----------------|-------------|-----------------|------|----------|
| | Without a boss | With a boss | A | B | |
| 2 | BH02B-XASK-BN | BH02B-XASK | 2.5 | 7.5 | 400 |
| 3 | BH03B-XASK-BN | BH03B-XASK | 5.0 | 10.0 | 400 |
| 4 | BH04B-XASK-BN | BH04B-XASK | 7.5 | 12.5 | 300 |
| 5 | BH05B-XASK-BN | BH05B-XASK | 10.0 | 15.0 | 300 |
| 6 | BH06B-XASK-BN | BH06B-XASK | 12.5 | 17.5 | 200 |
| 7 | BH07B-XASK-BN | BH07B-XASK | 15.0 | 20.0 | 200 |
| 8 | BH08B-XASK-BN | BH08B-XASK | 17.5 | 22.5 | 200 |
| 9 | BH09B-XASK-BN | BH09B-XASK | 20.0 | 25.0 | 150 |
| 10 | BH10B-XASK-BN | BH10B-XASK | 22.5 | 27.5 | 150 |
| 11 | BH11B-XASK-BN | BH11B-XASK | 25.0 | 30.0 | 100 |
| 12 | BH12B-XASK-BN | BH12B-XASK | 27.5 | 32.5 | 100 |
| 13 | BH13B-XASK-BN | BH13B-XASK | 30.0 | 35.0 | 100 |
| 14 | BH14B-XASK-BN | BH14B-XASK | 32.5 | 37.5 | 100 |
| 15 | BH15B-XASK-BN | BH15B-XASK | 35.0 | 40.0 | 100 |

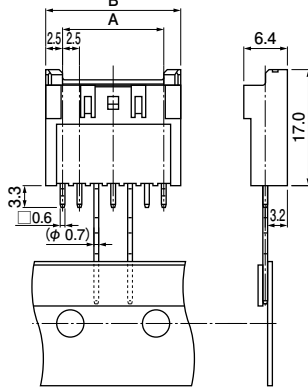
Material and Finish

Post: Copper alloy, copper-undercoated, tin-plated (reflow treatment)
Wafer: Glass-filled PA 66, UL94V-0, natural (ivory)

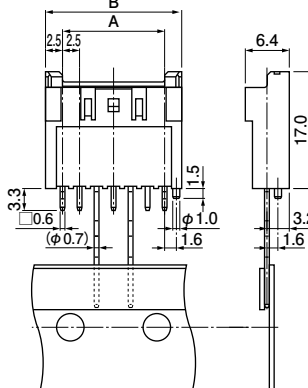
RoHS2 compliance This product displays (LF)(SN) on a label.

Header on radial-tape

Without a boss



With a boss



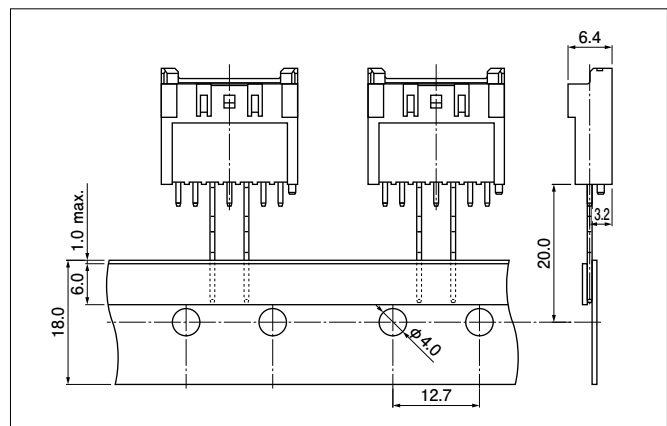
| No. of circuits | Model No. | | Dimensions (mm) | | Q'ty/box |
|-----------------|-----------------|--------------|-----------------|------|----------|
| | Without a boss | With a boss | A | B | |
| 2 | BH02B-XASS-BN-T | BH02B-XASS-T | 2.5 | 7.5 | 1,000 |
| 3 | BH03B-XASS-BN-T | BH03B-XASS-T | 5.0 | 10.0 | 1,000 |
| 4 | BH04B-XASS-BN-T | BH04B-XASS-T | 7.5 | 12.5 | 500 |
| 5 | BH05B-XASS-BN-T | BH05B-XASS-T | 10.0 | 15.0 | 500 |
| 6 | BH06B-XASS-BN-T | BH06B-XASS-T | 12.5 | 17.5 | 500 |
| 7 | BH07B-XASS-BN-T | BH07B-XASS-T | 15.0 | 20.0 | 500 |
| 8 | BH08B-XASS-BN-T | BH08B-XASS-T | 17.5 | 22.5 | 500 |

Material and Finish

Post: Copper alloy, copper-undercoated, tin-plated (reflow treatment)
Wafer: Glass-filled PA 66, UL94V-0, natural (ivory)

RoHS2 compliance This product displays (LF)(SN) on a label.

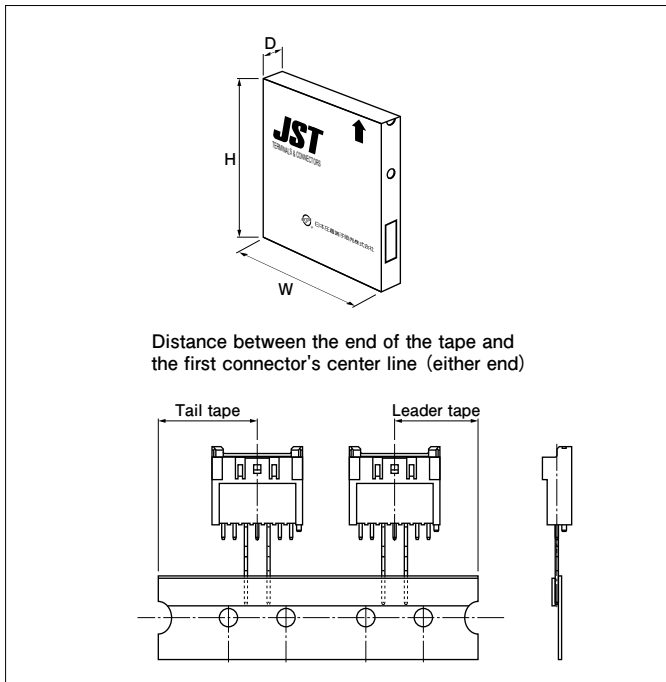
Taping specifications



Note: Conforms to JIC C 0806 of "Tape packaging of components with unidirectional leads on continuous tapes".

XA CONNECTOR (High box type)

Packaging specifications



| | | |
|---|---------------------------------------|----------------|
| Package type | Flat pack (zigzag folded) | |
| Distance between folds | 24 indexing holes per fold (304.8 mm) | |
| Box size | 314 (W) × 54 (D) × 314 (H) mm | |
| Distance between the end of the tape and the first connector's center line (either end) | 19.05 mm | |
| Quantity | 2, 3 circuits | 1,000 pcs./box |
| | 4 to 8 circuits | 500 pcs./box |

Note: Products of different packaging specifications are also available. Contact JST for details.

Model number allocation

Contact

| | |
|---|-----------------------------|
| | S XA - 001 T - P 0.6 |
| Form: S...Strip form, B...Loose piece | |
| Series name | |
| Applicable wire range: 001...AWG #28 to #22 | |
| Surface finish: T...Tin-plated (reflow treatment) | |
| Material: P...Phosphor bronze | |
| Terminal size | |

Housing

| | |
|--|---------------------------|
| | XAP - 02 V - 1 - ■ |
| Series name | |
| Part name: Plug | |
| No. of circuits: 2 to 15 | |
| Flammability: V...UL94V-0 | |
| Sub model number | |
| Color: None...Natural (White), K...Black, R...Red, E...Blue, M...Green, Y...Yellow | |

Housing (Retainer mountable type)

| | |
|---|------------------------|
| | XARP - 02 V - ■ |
| Series name | |
| Part name: Plug (Retainer mountable type) | |
| No. of circuits: 2 to 15 | |
| Flammability: V...UL94V-0 | |
| Color: None...Natural (White), K...Black, R...Red, E...Blue, L...Lemon yellow | |

Retainer

| | |
|---------------------------|--------------------|
| | XM S - 02 V |
| Series name | |
| Part name: Retainer | |
| No. of circuits: 2 to 15 | |
| Flammability: V...UL94V-0 | |

Note: Depending on the colors, it may take some time for delivery.

XA CONNECTOR (High box type)

Model number allocation

Header

| | BH 02 B - X A S K - BN |
|---|------------------------|
| Shape of assembled product: BH...Top entry type High-box | |
| No. of circuits: 2 to 15 | |
| Part name: Header | |
| Series name | |
| Color: S...Natural (Ivory), K...Black, R...Red, M...Green, Y...Yellow | |
| Indication of clinch: K...Clinched | |
| Shape: BN...Without boss, None...With boss | |

Note: Depending on the colors, it may take some time for delivery.

Taping

| | BH 02 B - X A S S - BN - T |
|---|----------------------------|
| Shape of assembled product: BH...Top entry type High box | |
| No. of circuits: 2 to 8 | |
| Part name: Header | |
| Series name | |
| Color: S...Natural (Ivory) | |
| Indication of clinch: S...Straight pin | |
| Shape: BN...Without boss, None...With boss | |
| Packaging style: T...Radial-taping | |

单击下面可查看定价，库存，交付和生命周期等信息

[>>JST\(杰世腾\)](#)