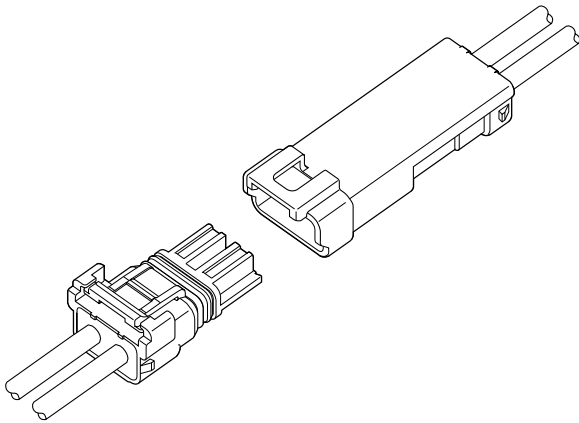




WPJ CONNECTOR

5.0mm pitch/Disconnectable Crimp style Wire-to-wire connectors



Compact, Water Resist and Durable.
This connector for electrical connection can be used on both waterproof and non-waterproof conditions, depending on the usage.

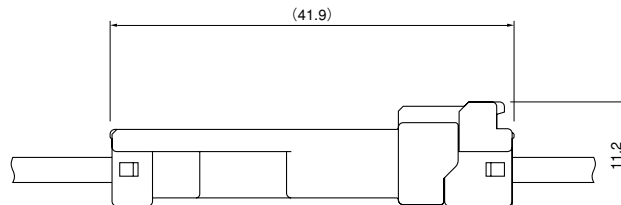
- **Waterproof performance [Grade 7 ingress protection of JIS C 0920 (IEC 60529 IPX7)]**
- **Control key system**
- **Contacting part of contact is hardly deformed**
- **Inner-locking system**
- **Compact design**

Specifications

- Current rating: 7A AC, DC (AWG#18)
 - Voltage rating: 300V AC, DC
 - Temperature range: -25°C to +85°C
(including temperature rise in applying electrical current)
 - Contact resistance: Initial value/10m Ω max.
After environmental testing/20m Ω max.
 - Insulation resistance: 1,000M Ω min.
 - Withstanding voltage: 1,500V AC/minute
 - Applicable wire: Conductor size/AWG #22 to #18
Insulation O.D./2.32 to 2.83mm
1.52 to 2.03mm
 - Waterproof grade: Grade 7 ingress protection of JIS C 0920
(IEC 60529 IPX7)
- * Compliant with RoHS.
* Refer to "General Instruction and Notice when using Terminals and Connectors" at the end of this catalog.
* Contact JST for details.

Standards

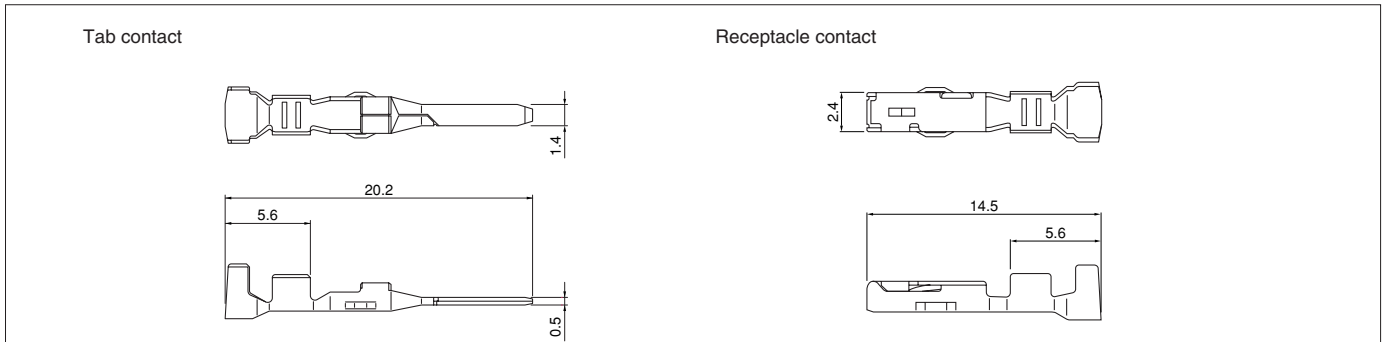
Recognized E 60389



WPJ CONNECTOR

(Non-waterproof type)

Contact



Model No.		Applicable wire		Insulation O.D. (mm)	Q'ty / reel	
Tab contact	Receptacle contact	mm ²	AWG #		Tab contact	Receptacle contact
SWPJT-21T-P0.5	SWPJR-21T-M0.5	0.33~0.83	22~18	2.32~2.83	6,000	4,500
SWPJT-21T-P0.5A	SWPJR-21T-M0.5A			1.52~2.03	9,000	4,500

Material and Finish

Copper alloy, tin-plated (reflow treatment)

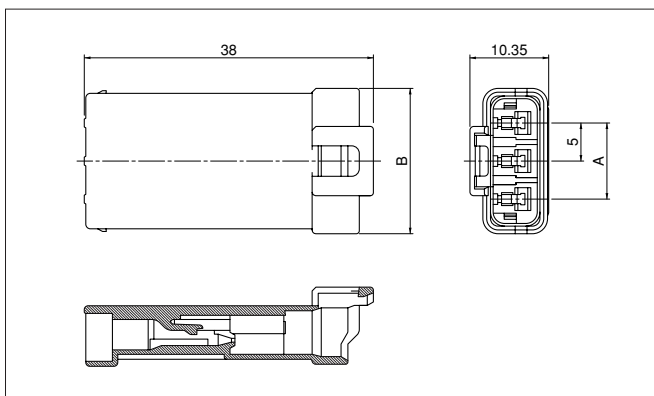
RoHS compliance

Non-waterproof type

Contact	Crimping machine	Applicator		
		Crimp applicator	Dies	Crimp applicator with dies
SWPJT-21T-P0.5	AP-K2N	MKS-L	MK/SWPJR/T-21-05	APLMK SWPJR/T21-05
		—	—	—
SWPJR-21T-M0.5	AP-K2N	MKS-L	MK/SWPJR/T-21-05	APLMK SWPJR/T21-05
		—	—	—

Contact	Crimping machine	Applicator		
		Crimp applicator	Dies	Crimp applicator with dies
SWPJT-21T-P0.5A	AP-K2N	MKS-L	MK/SWPJR/T-21-05A	APLMK SWPJR/T21-05A
		—	—	—
SWPJR-21T-M0.5A	AP-K2N	MKS-L	MK/SWPJR/T-21-05A	APLMK SWPJR/T21-05A
		—	—	—

Tab housing (for tab contact)



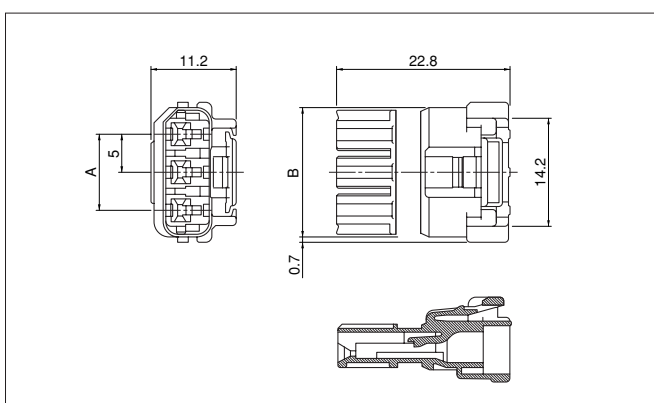
Circuits	Model No.	Dimensions (mm)		Q'ty / bag
		A	B	
2	WPJT-02V-1-S	—	14.2	500
3	WPJT-03V-1-S	10	19.2	500

Material

Glass-filled PBT, UL94V-0, natural (white)

RoHS compliance

Receptacle housing (for receptacle contact)



Circuits	Model No.	Dimensions (mm)		Q'ty / bag
		A	B	
2	WPJR-02V-1-S	—	12.1	1,000
3	WPJR-03V-1-S	10	17.1	1,000

Material

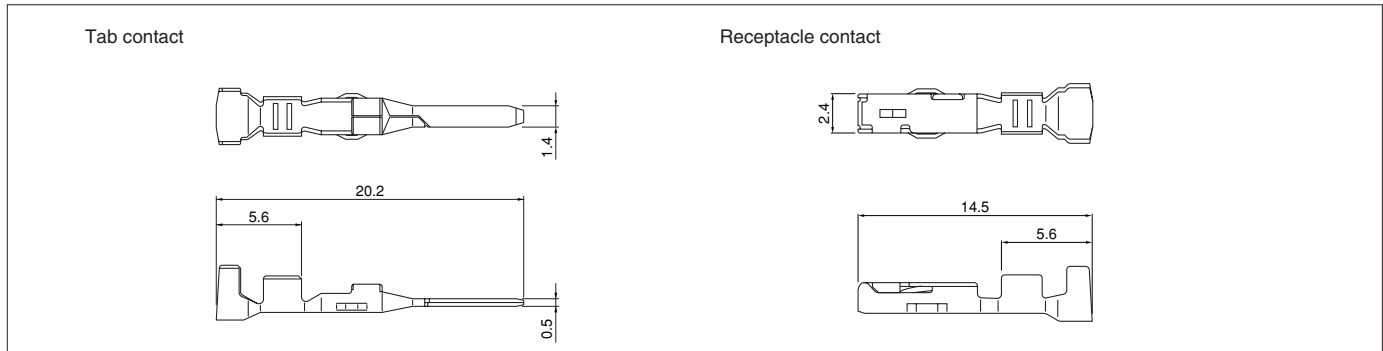
Glass-filled PBT, UL94V-0, natural (white)

RoHS compliance

WPJ CONNECTOR

(Waterproof type)

Contact



Model No.		Applicable wire		Insulation O.D. (mm)	Q'ty / reel	
Tab contact	Receptacle contact	mm ²	AWG #		Tab contact	Receptacle contact
SWPJT-21T-P0.5	SWPJR-21T-M0.5	0.33~0.83	22~18	2.32~2.83	6,000	4,500

Material and Finish

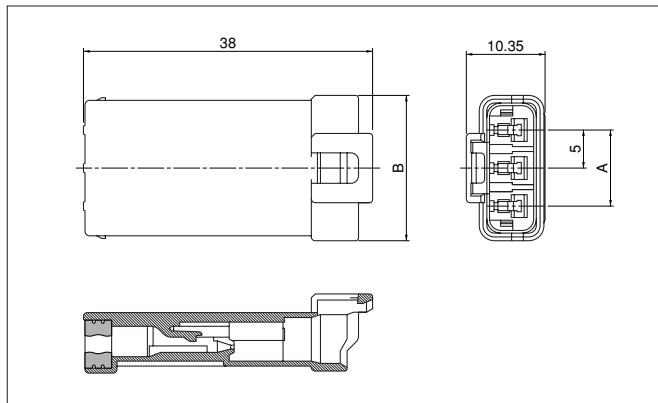
Copper alloy, tin-plated (reflow treatment)

RoHS compliance

Waterproof type

Contact	Crimping machine	Applicator		
		Crimp applicator	Dies	Crimp applicator with dies
SWPJT-21T-P0.5	AP-K2N	MKS-L	MK/SWPJR/T-21-05	APLMK SWPJR/T21-05
		—	—	—
SWPJR-21T-M0.5	AP-K2N	MKS-L	MK/SWPJR/T-21-05	APLMK SWPJR/T21-05
		—	—	—

Tab housing assembly (for tab contact)



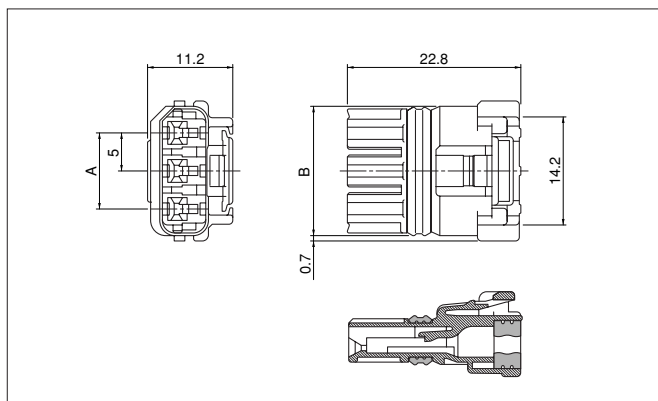
Circuits	Model No.	Dimensions (mm)		Q'ty / bag
		A	B	
2	02T-WPJV-1-SM	—	14.2	675
3	03T-WPJV-1-SM	10	19.2	495

Material

Tab housing: Glass-filled PBT, UL94V-0, natural (white)
Seal rubber plate: Silicon, green

RoHS compliance

Receptacle housing assembly (for receptacle contact)



Circuits	Model No.	Dimensions (mm)		Q'ty / bag
		A	B	
2	02R-WPJV-1-SMM	—	12.1	720
3	03R-WPJV-1-SMM	10	17.1	576

Material

Receptacle housing: Glass-filled PBT, UL94V-0, natural (white)
Seal ring: Silicon, green
Seal rubber plate: Silicon, green

RoHS compliance

单击下面可查看定价，库存，交付和生命周期等信息

[>>JST\(杰世腾\)](#)