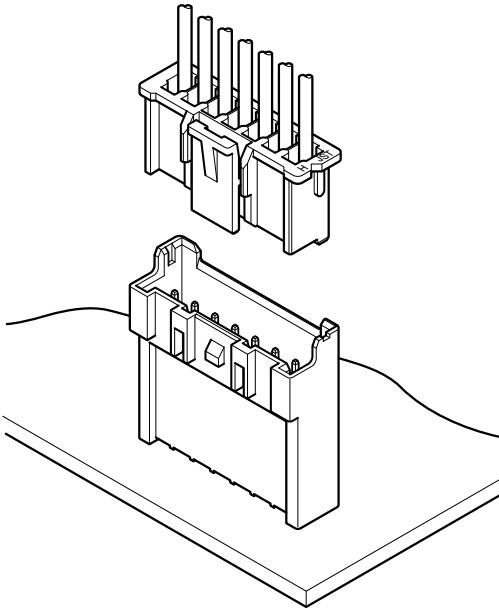


# XA CONNECTOR (High box type)



2.5 mm pitch/Disconnectable Crimp style connectors



XA connector high box type, with 19.5 mm mounting height and with 6.9 mm thickness.

- Header for 2.5 mm pitch XA connector for use specifically with resin coated ("potted") PC boards
- Interchangeability

## Specifications

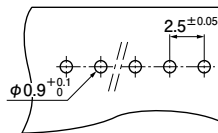
- Current rating: 3 A AC/DC (AWG #22)
  - Voltage rating: 250 V AC/DC
  - Temperature range: -25°C to +85°C  
(including temperature rise in applying electrical current)
  - Contact resistance: Initial value/ 10 mΩ max.  
After environmental tests/ 20 mΩ max.
  - Insulation resistance: 1,000 MΩ min.
  - Withstanding voltage: 1,000 VAC/minute
  - Applicable wire: AWG #28 to #22
  - Applicable PC board thickness: 1.6 mm
- \* In using the products, refer to "Handling Precautions for Terminals and Connectors" described on our website (Technical documents of Product information page).
- \* RoHS2 compliance
- \* Dimensional unit: mm
- \* Contact JST for details.

## Standards

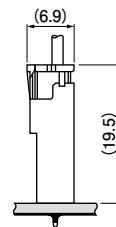
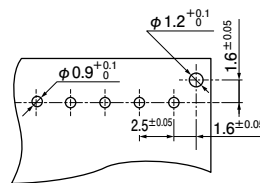
- Ⓜ Recognized E60389
- Ⓢ Certified LR20812
- ⚠ R9851220

## PC board layout and Assembly layout

Without a boss



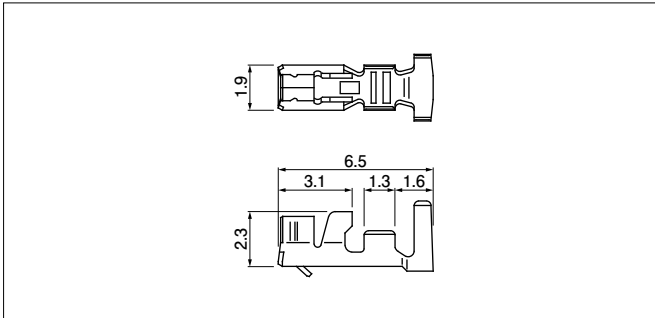
With a boss



- Note: 1. The above figure is the figure viewed from the connector mounting side .
2. Tolerances are non-cumulative:  $\pm 0.05$  mm for all centers.
3. Hole dimensions differ according to the type of PC board and piercing method.  
The dimensions above should serve as a guideline. Contact JST for details.

# XA CONNECTOR (High box type)

## Contact



Model No.	Applicable wire			Q'ty/reel
	mm <sup>2</sup>	AWG #	Insulation O.D. (mm)	
SXA-001T-P0.6	0.08~0.33	28~22	0.8~1.9	8,000

### Material and Finish

Phosphor bronze, tin-plated (reflow treatment)

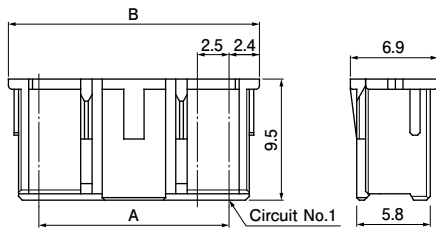
### RoHS2 compliance

Contact	Crimping machine	Applicator		
		Crimp applicator	Dies	Crimp applicator with dies
SXA-001T-P0.6	AP-K2N	MKS-L	MK/SXA/M-001-06	APLMK SXA/M001-06

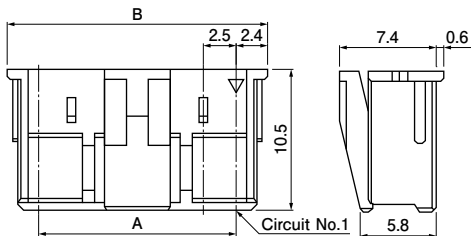
Note: Contact JST for fully automatic crimping applicator.

## Housing

### Standard type



### Retainer mountable type



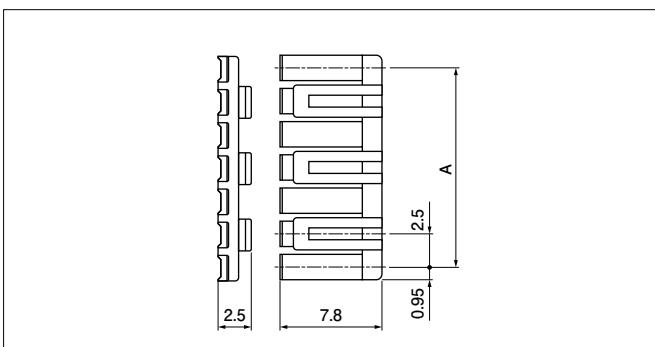
No. of circuits	Model No.		Dimensions (mm)		Q'ty/bag	
	Standard type	Retainer mountable type	A	B	Standard type	Retainer mountable type
2	XAP-02V-1	XARP-02V	2.5	7.3	1,000	1,000
3	XAP-03V-1	XARP-03V	5.0	9.8	1,000	1,000
4	XAP-04V-1	XARP-04V	7.5	12.3	1,000	1,000
5	XAP-05V-1	XARP-05V	10.0	14.8	1,000	1,000
6	XAP-06V-1	XARP-06V	12.5	17.3	1,000	1,000
7	XAP-07V-1	XARP-07V	15.0	19.8	1,000	1,000
8	XAP-08V-1	XARP-08V	17.5	22.3	1,000	1,000
9	XAP-09V-1	XARP-09V	20.0	24.8	1,000	1,000
10	XAP-10V-1	XARP-10V	22.5	27.3	1,000	1,000
11	XAP-11V-1	XARP-11V	25.0	29.8	1,000	1,000
12	XAP-12V-1	XARP-12V	27.5	32.3	1,000	1,000
13	XAP-13V-1	XARP-13V	30.0	34.8	1,000	1,000
14	XAP-14V-1	XARP-14V	32.5	37.3	500	1,000
15	XAP-15V-1	XARP-15V	35.0	39.8	500	1,000

### Material and Finish

PA 66, UL94V-0, natural (white)

### RoHS2 compliance

## Retainer



### Material and Finish

Glass-filled PA 66, UL94V-0, natural (ivory)

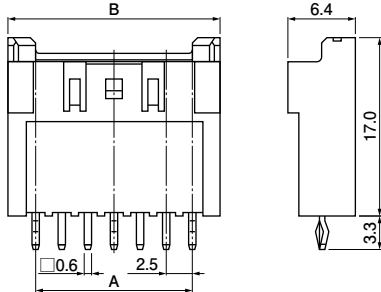
### RoHS2 compliance

No. of circuits	Model No.	A	Q'ty/bag
2	XMS-02V	2.5	1,000
3	XMS-03V	5.0	1,000
4	XMS-04V	7.5	1,000
5	XMS-05V	10.0	1,000
6	XMS-06V	12.5	1,000
7	XMS-07V	15.0	1,000
8	XMS-08V	17.5	1,000
9	XMS-09V	20.0	1,000
10	XMS-10V	22.5	1,000
11	XMS-11V	25.0	1,000
12	XMS-12V	27.5	1,000
13	XMS-13V	30.0	1,000
14	XMS-14V	32.5	1,000
15	XMS-15V	35.0	1,000

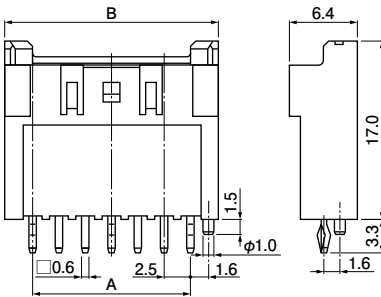
# XA CONNECTOR (High box type)

## Header

### Without a boss



### With a boss



No. of circuits	Model No.		Dimensions (mm)		Q'ty/box
	Without a boss	With a boss	A	B	
2	BH02B-XASK-BN	BH02B-XASK	2.5	7.5	400
3	BH03B-XASK-BN	BH03B-XASK	5.0	10.0	400
4	BH04B-XASK-BN	BH04B-XASK	7.5	12.5	300
5	BH05B-XASK-BN	BH05B-XASK	10.0	15.0	300
6	BH06B-XASK-BN	BH06B-XASK	12.5	17.5	200
7	BH07B-XASK-BN	BH07B-XASK	15.0	20.0	200
8	BH08B-XASK-BN	BH08B-XASK	17.5	22.5	200
9	BH09B-XASK-BN	BH09B-XASK	20.0	25.0	150
10	BH10B-XASK-BN	BH10B-XASK	22.5	27.5	150
11	BH11B-XASK-BN	BH11B-XASK	25.0	30.0	100
12	BH12B-XASK-BN	BH12B-XASK	27.5	32.5	100
13	BH13B-XASK-BN	BH13B-XASK	30.0	35.0	100
14	BH14B-XASK-BN	BH14B-XASK	32.5	37.5	100
15	BH15B-XASK-BN	BH15B-XASK	35.0	40.0	100

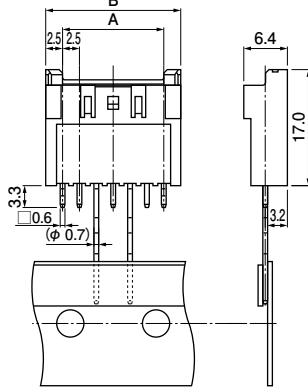
### Material and Finish

Post: Copper alloy, copper-undercoated, tin-plated (reflow treatment)  
Wafer: Glass-filled PA 66, UL94V-0, natural (ivory)

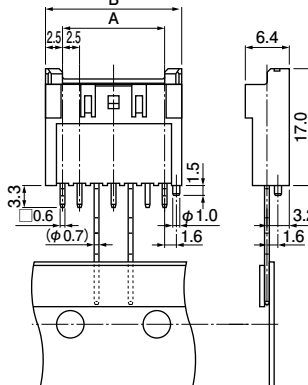
RoHS2 compliance This product displays (LF)(SN) on a label.

## Header on radial-tape

### Without a boss



### With a boss



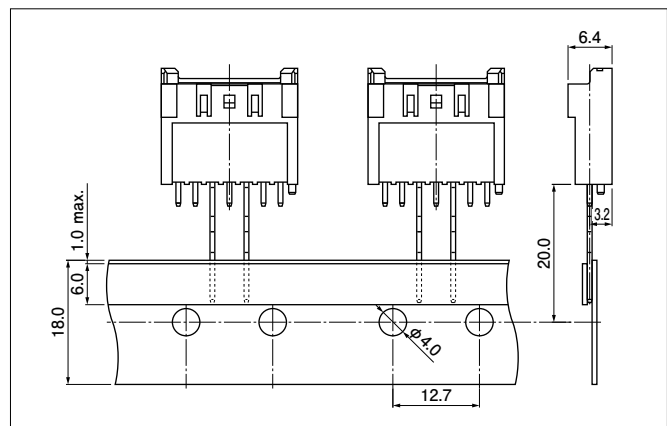
No. of circuits	Model No.		Dimensions (mm)		Q'ty/box
	Without a boss	With a boss	A	B	
2	BH02B-XASS-BN-T	BH02B-XASS-T	2.5	7.5	1,000
3	BH03B-XASS-BN-T	BH03B-XASS-T	5.0	10.0	1,000
4	BH04B-XASS-BN-T	BH04B-XASS-T	7.5	12.5	500
5	BH05B-XASS-BN-T	BH05B-XASS-T	10.0	15.0	500
6	BH06B-XASS-BN-T	BH06B-XASS-T	12.5	17.5	500
7	BH07B-XASS-BN-T	BH07B-XASS-T	15.0	20.0	500
8	BH08B-XASS-BN-T	BH08B-XASS-T	17.5	22.5	500

### Material and Finish

Post: Copper alloy, copper-undercoated, tin-plated (reflow treatment)  
Wafer: Glass-filled PA 66, UL94V-0, natural (ivory)

RoHS2 compliance This product displays (LF)(SN) on a label.

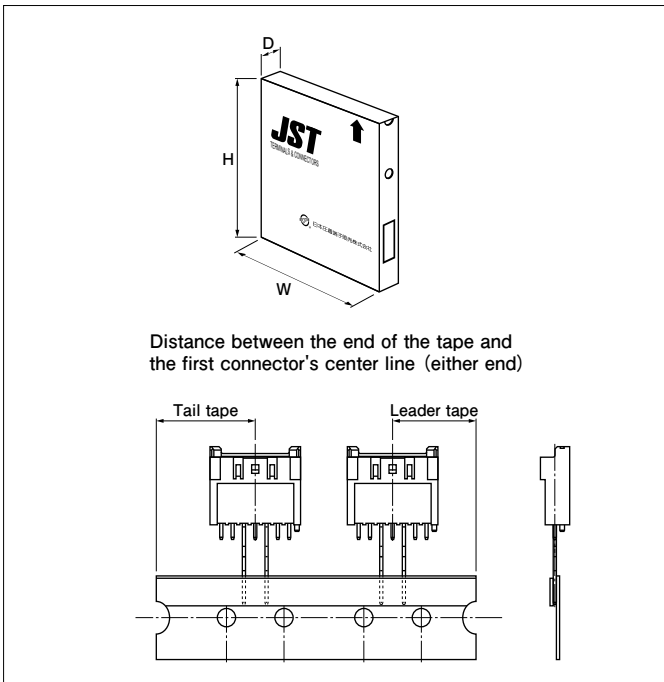
## Taping specifications



Note: Conforms to JIC C 0806 of "Tape packaging of components with unidirectional leads on continuous tapes".

# XA CONNECTOR (High box type)

## Packaging specifications



Package type	Flat pack (zigzag folded)	
Distance between folds	24 indexing holes per fold (304.8 mm)	
Box size	314 (W) × 54 (D) × 314 (H) mm	
Distance between the end of the tape and the first connector's center line (either end)	19.05 mm	
Quantity	2, 3 circuits	1,000 pcs./box
	4 to 8 circuits	500 pcs./box

Note: Products of different packaging specifications are also available. Contact JST for details.

## Model number allocation

### Contact

	<b>S XA - 001 T - P 0.6</b>
Form: S...Strip form, B...Loose piece	
Series name	
Applicable wire range: 001...AWG #28 to #22	
Surface finish: T...Tin-plated (reflow treatment)	
Material: P...Phosphor bronze	
Terminal size	

### Housing

	<b>XAP - 02 V - 1 - ■</b>
Series name	
Part name: Plug	
No. of circuits: 2 to 15	
Flammability: V...UL94V-0	
Sub model number	
Color: None...Natural (White), K...Black, R...Red, E...Blue, M...Green, Y...Yellow	

### Housing (Retainer mountable type)

	<b>XARP - 02 V - ■</b>
Series name	
Part name: Plug (Retainer mountable type)	
No. of circuits: 2 to 15	
Flammability: V...UL94V-0	
Color: None...Natural (White), K...Black, R...Red, E...Blue, L...Lemon yellow	

### Retainer

	<b>XM S - 02 V</b>
Series name	
Part name: Retainer	
No. of circuits: 2 to 15	
Flammability: V...UL94V-0	

Note: Depending on the colors, it may take some time for delivery.

# XA CONNECTOR (High box type)

## Model number allocation

### Header

	BH 02 B - X A S K - BN
Shape of assembled product:	
BH...Top entry type High-box	
No. of circuits: 2 to 15	
Part name: Header	
Series name	
Color: S...Natural (Ivory), K...Black, R...Red, M...Green, Y...Yellow	
Indication of clinch: K...Clinched	
Shape: BN...Without boss, None...With boss	

Note: Depending on the colors, it may take some time for delivery.

### Taping

	BH 02 B - X A S S - BN - T
Shape of assembled product:	
BH...Top entry type High box	
No. of circuits: 2 to 8	
Part name: Header	
Series name	
Color: S...Natural (Ivory)	
Indication of clinch: S...Straight pin	
Shape: BN...Without boss, None...With boss	
Packaging style: T...Radial-taping	

单击下面可查看定价，库存，交付和生命周期等信息

[>>JST\(杰世腾\)](#)