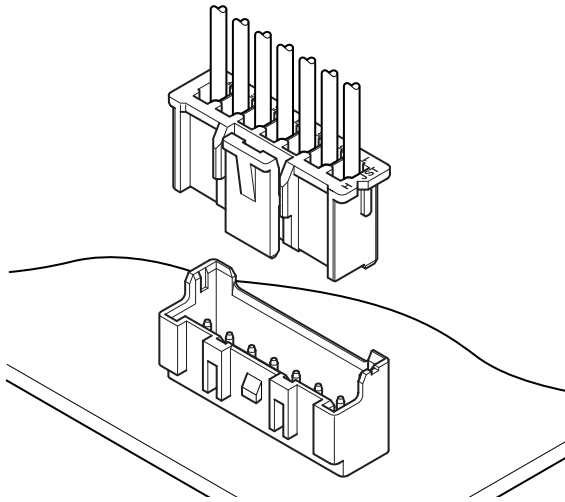


# XA CONNECTOR

2.5mm pitch/Disconnectable Crimp style connectors



- **Secure lock device**
- **Solder crack preventive material**
- **Low insertion force**
- **Insertion guide mechanism**
- **Applicable to automatic board mounting machine**
- **Polarizing boss**

## Specifications

- Current rating: 3 A AC DC (AWG #22, #20)
- Voltage rating: 250 V AC DC
- Temperature range: -25°C to +85°C  
(including temperature rise in applying electrical current)
- Contact resistance: Initial value/ 10 mΩ max.  
After environmental tests/ 20 mΩ max.
- Insulation resistance: 1,000 MΩ min.
- Withstanding voltage: 1,000 VAC/minute
- Applicable wire: AWG #28 to #20
- Applicable PC board thickness: 1.6 mm

- \* Refer to "General Instruction and Notice when using Terminals and Connectors" at the end of this catalog.
- \* Contact JST for details.
- \* Compliant with RoHS.

## Standards

Recognized E 60389

Certified LR 20812

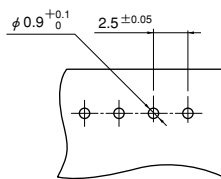
R9851220

## PC board layout and Assembly layout

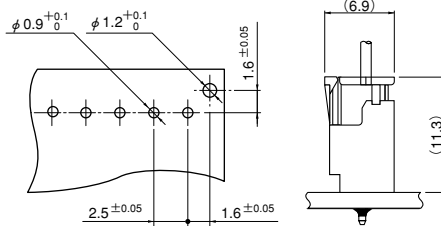
### <Through-hole type>

#### Top entry type

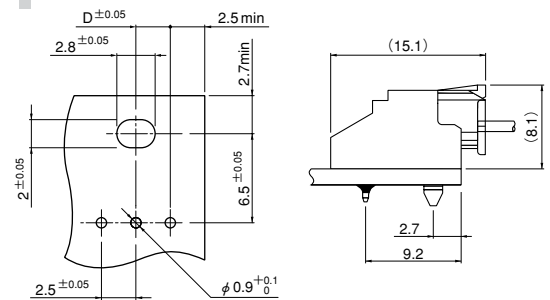
without a boss



with a boss



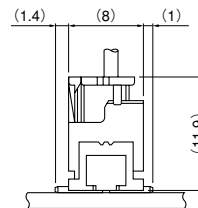
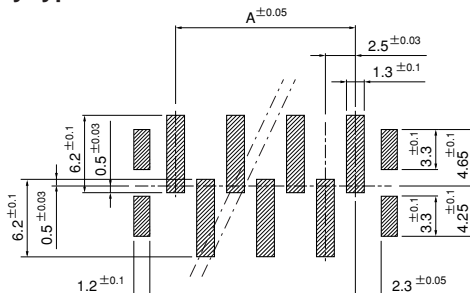
#### Side entry type



Dimension D: Refer to the Model No. chart of header side entry type.

### <SMT type>

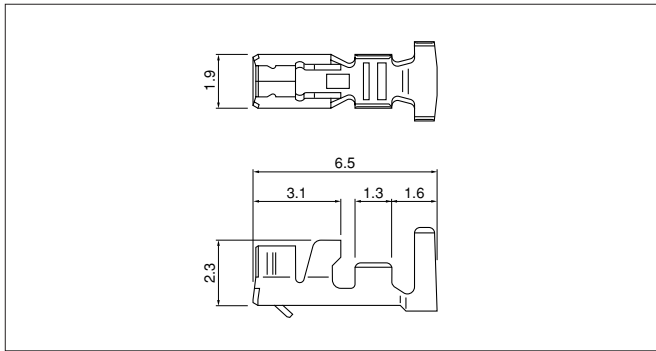
#### Top entry type



- Note: 1. The above figure is the figure viewed from the connector mounting side.  
 2. Tolerances are non-cumulative:  $\pm 0.05$  mm for all centers.  
 3. Hole dimensions differ according to the type of PC board and piercing method.  
 The dimensions above should serve as a guideline. Contact JST for details.

# XA CONNECTOR

## Contact



Model No.	Applicable wire			Q'ty/reel
	mm <sup>2</sup>	AWG#	Insulation O.D. (mm)	
<b>SXA-001T-P0.6</b>	0.08~0.33	28~22	0.8~1.9	8,000
<b>SXA-01T-P0.6</b>	0.22~0.5	24~20	1.5~1.9	8,000
<b>SXA-001T-P0.6L</b>	0.13~0.33	26~22	1.3~1.7	8,000

### Material and Finish

Phosphor bronze, tin-plated (reflow treatment)

### RoHS compliance

Note : 1. SXA-001T-P0.6L is low-insertion force type contact, for easier insertion/withdrawal, which would be less resistant to the vibration. The crimp height is different from the standard contact.  
2. Contact JST for gold-plated products.

Contact	Crimping machine	Applicator		
		Crimp applicator	Dies	Crimp applicator with dies
<b>SXA-001T-P0.6</b>	AP-K2N	MKS-L	MK/SXA/M-001-06	APLMK SXA/M001-06
		*MKS-SC	SC/SXA/M-001-06	APLSC SXA/M001-06
<b>SXA-001T-P0.6L</b>	AP-K2N	MKS-L	MK/SXA-001-06L	APLMK SXA001-06L
		*MKS-SC	SC/SXA-001-06L	APLSC SXA001-06L

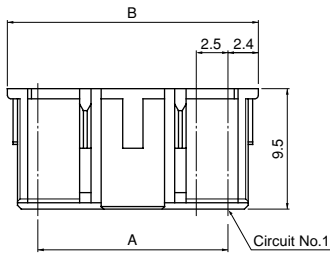
Contact	Crimping machine	Applicator		
		Crimp applicator	Dies	Crimp applicator with dies
<b>SXA-01T-P0.6</b>	AP-K2N	MKS-L	MK/SXA/M-01-06	APLMK SXA/M01-06
		*MKS-SC	SC/SXA/M-01-06	APLSC SXA/M01-06

Note : 1. \*Strip-crimp applicator

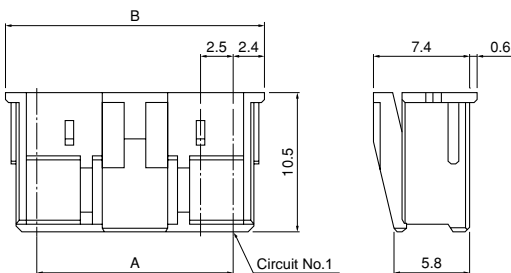
2. Contact JST for fully automatic crimping applicator.

## Housing

### Standard type



### Retainer mountable type



No. of circuits	Model No.		Dimensions (mm)		Q'ty/bag	
	Standard type	Retainer mountable type	A	B	Standard type	Retainer mountable type
2	<b>XAP-02V-1</b>	<b>XARP-02V</b>	2.5	7.3	1,000	1,000
3	<b>XAP-03V-1</b>	<b>XARP-03V</b>	5.0	9.8	1,000	1,000
4	<b>XAP-04V-1</b>	<b>XARP-04V</b>	7.5	12.3	1,000	1,000
5	<b>XAP-05V-1</b>	<b>XARP-05V</b>	10.0	14.8	1,000	1,000
6	<b>XAP-06V-1</b>	<b>XARP-06V</b>	12.5	17.3	1,000	1,000
7	<b>XAP-07V-1</b>	<b>XARP-07V</b>	15.0	19.8	1,000	1,000
8	<b>XAP-08V-1</b>	<b>XARP-08V</b>	17.5	22.3	1,000	1,000
9	<b>XAP-09V-1</b>	<b>XARP-09V</b>	20.0	24.8	1,000	1,000
10	<b>XAP-10V-1</b>	<b>XARP-10V</b>	22.5	27.3	1,000	1,000
11	<b>XAP-11V-1</b>	<b>XARP-11V</b>	25.0	29.8	1,000	1,000
12	<b>XAP-12V-1</b>	<b>XARP-12V</b>	27.5	32.3	1,000	1,000
13	<b>XAP-13V-1</b>	<b>XARP-13V</b>	30.0	34.8	1,000	1,000
14	<b>XAP-14V-1</b>	<b>XARP-14V</b>	32.5	37.3	500	1,000
15	<b>XAP-15V-1</b>	<b>XARP-15V</b>	35.0	39.8	500	1,000
18	—	<b>XARP-18V</b>	42.5	47.3	—	500
20	<b>XAP-20V-1</b>	—	47.5	52.3	500	—

### Material

PA 66, UL94V-0, natural (white)

### RoHS compliance

<For reference> As the color identification, the following alphabet shall be put in the underlined part. For availability, delivery and minimum order quantity, contact JST.

<Standard type>

ex. **XAP-02V-1-oo**

(blank)...natural (white)

K...black R...red E...blue Y...yellow L...lemon yellow

M...green O...orange N...brown H...gray P...purple

LE...light blue PK...pink FY...vivid yellow Z...ivory

<Retainer mountable type>

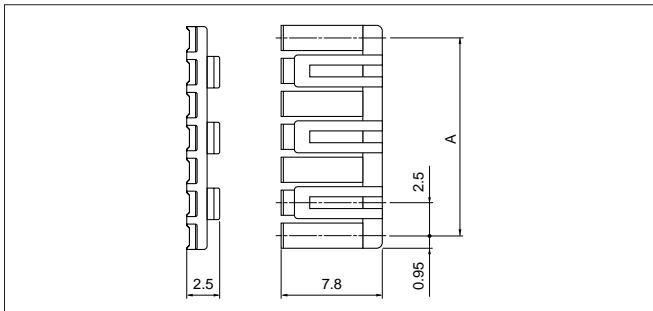
ex. **XARP-02V-oo**

(blank)...natural (white)

K...black R...red E...blue L...lemon yellow

# XA CONNECTOR

## Retainer



### Material

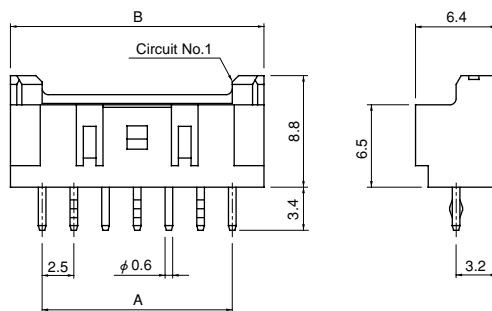
Glass-filled PA 66, UL94V-0, natural (ivory)

RoHS compliance

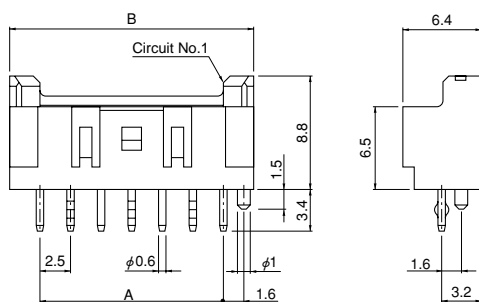
No. of circuits	Model No.	A	Q'ty/bag
2	<b>XMS-02V</b>	2.5	1,000
3	<b>XMS-03V</b>	5.0	1,000
4	<b>XMS-04V</b>	7.5	1,000
5	<b>XMS-05V</b>	10.0	1,000
6	<b>XMS-06V</b>	12.5	1,000
7	<b>XMS-07V</b>	15.0	1,000
8	<b>XMS-08V</b>	17.5	1,000
9	<b>XMS-09V</b>	20.0	1,000
10	<b>XMS-10V</b>	22.5	1,000
11	<b>XMS-11V</b>	25.0	1,000
12	<b>XMS-12V</b>	27.5	1,000
13	<b>XMS-13V</b>	30.0	1,000
14	<b>XMS-14V</b>	32.5	1,000
15	<b>XMS-15V</b>	35.0	1,000

## Through-hole type shrouded header

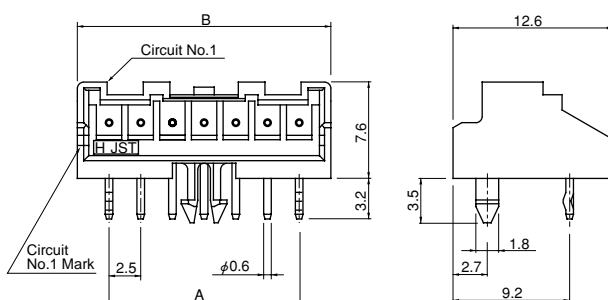
### Top entry type without a boss



### Top entry type with a boss



### Side entry type with a hook



No. of circuits	Model No.		Dimensions (mm)		Q'ty/box
	Top entry type		A	B	
	Without a boss	With a boss			
2	<b>B02B-XASK-1</b>	<b>B02B-XASK-1-A</b>	2.5	7.5	1,000
3	<b>B03B-XASK-1</b>	<b>B03B-XASK-1-A</b>	5.0	10.0	400
4	<b>B04B-XASK-1</b>	<b>B04B-XASK-1-A</b>	7.5	12.5	400
5	<b>B05B-XASK-1</b>	<b>B05B-XASK-1-A</b>	10.0	15.0	400
6	<b>B06B-XASK-1</b>	<b>B06B-XASK-1-A</b>	12.5	17.5	400
7	<b>B07B-XASK-1</b>	<b>B07B-XASK-1-A</b>	15.0	20.0	250
8	<b>B08B-XASK-1</b>	<b>B08B-XASK-1-A</b>	17.5	22.5	250
9	<b>B09B-XASK-1</b>	<b>B09B-XASK-1-A</b>	20.0	25.0	250
10	<b>B10B-XASK-1</b>	<b>B10B-XASK-1-A</b>	22.5	27.5	250
11	<b>B11B-XASK-1</b>	<b>B11B-XASK-1-A</b>	25.0	30.0	200
12	<b>B12B-XASK-1</b>	<b>B12B-XASK-1-A</b>	27.5	32.5	200
13	<b>B13B-XASK-1</b>	<b>B13B-XASK-1-A</b>	30.0	35.0	100
14	<b>B14B-XASK-1</b>	<b>B14B-XASK-1-A</b>	32.5	37.5	100
15	<b>B15B-XASK-1</b>	<b>B15B-XASK-1-A</b>	35.0	40.0	100
20	<b>B20B-XASK-1</b>	<b>B20B-XASK-1-A</b>	47.5	52.5	100

### Material and Finish

Pin: Copper alloy, copper-undercoated, tin-plated (reflow treatment)  
Wafer: Glass-filled PA 66, UL94V-0, natural (ivory)

RoHS compliance This product displays (LF)(SN) on a label.

Note: Contact JST for gold-plated products.

No. of circuits	Model No.	Dimensions (mm)			Q'ty/box
	Side entry type with a hook	A	B	D	
2	<b>S02B-XASS-1</b>	2.5	7.5	1.25	250
3	<b>S03B-XASK-1</b>	5.0	10.0	2.50	250
4	<b>S04B-XASK-1</b>	7.5	12.5	3.75	200
5	<b>S05B-XASK-1</b>	10.0	15.0	5.00	200
6	<b>S06B-XASK-1</b>	12.5	17.5	6.25	200
7	<b>S07B-XASK-1</b>	15.0	20.0	7.50	200
8	<b>S08B-XASK-1</b>	17.5	22.5	8.75	100
9	<b>S09B-XASK-1</b>	20.0	25.0	10.00	100
10	<b>S10B-XASK-1</b>	22.5	27.5	11.25	100
11	<b>S11B-XASK-1</b>	25.0	30.0	12.50	100
12	<b>S12B-XASK-1</b>	27.5	32.5	13.75	100
13	<b>S13B-XASK-1</b>	30.0	35.0	15.00	100
14	<b>S14B-XASK-1</b>	32.5	37.5	16.25	100

### Material and Finish

Pin: Copper alloy, copper-undercoated, tin-plated (reflow treatment)  
Wafer: Glass-filled PA 66, UL94V-0, natural (ivory)

RoHS compliance This product displays (LF)(SN) on a label.

Note: 1. Dimension D... See PC board layout.  
2. Contact JST for gold-plated products.

<For reference> As the color identification, the following alphabet shall be put in the underlined part.  
For availability, delivery and minimum order quantity, contact JST.

ex. **S02B-XASK-1**

S...natural (ivory)

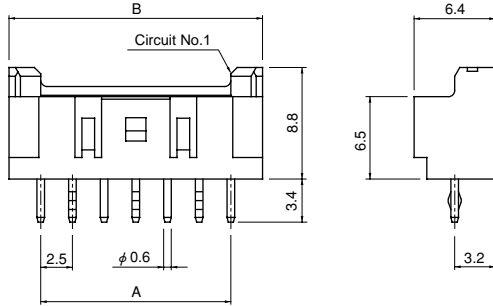
K...black R...red E...blue M...green Y...yellow

# XA CONNECTOR

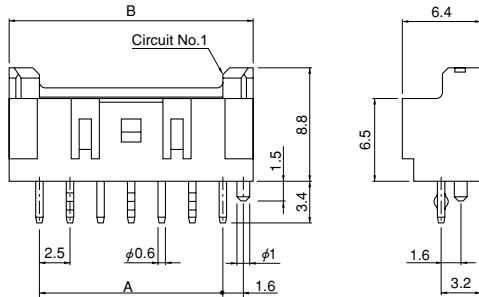
## Through-hole type shrouded header

### N type

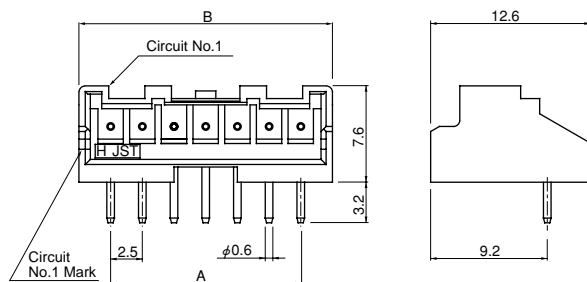
#### Top entry type without a boss



#### Top entry type with a boss



#### Side entry type without a hook



No. of circuits	Model No.		Dimensions (mm)		Q'ty/box
	Top entry type		A	B	
	Without a boss	With a boss			
2	<b>B02B-XASK-1N</b>	<b>B02B-XASK-1N-A</b>	2.5	7.5	1,000
3	<b>B03B-XASK-1N</b>	<b>B03B-XASK-1N-A</b>	5.0	10.0	400
4	<b>B04B-XASK-1N</b>	<b>B04B-XASK-1N-A</b>	7.5	12.5	400
5	<b>B05B-XASK-1N</b>	<b>B05B-XASK-1N-A</b>	10.0	15.0	400
6	<b>B06B-XASK-1N</b>	<b>B06B-XASK-1N-A</b>	12.5	17.5	400
7	<b>B07B-XASK-1N</b>	<b>B07B-XASK-1N-A</b>	15.0	20.0	250
8	<b>B08B-XASK-1N</b>	<b>B08B-XASK-1N-A</b>	17.5	22.5	250
9	<b>B09B-XASK-1N</b>	<b>B09B-XASK-1N-A</b>	20.0	25.0	250
10	<b>B10B-XASK-1N</b>	<b>B10B-XASK-1N-A</b>	22.5	27.5	250
11	<b>B11B-XASK-1N</b>	<b>B11B-XASK-1N-A</b>	25.0	30.0	200
12	<b>B12B-XASK-1N</b>	<b>B12B-XASK-1N-A</b>	27.5	32.5	200
13	<b>B13B-XASK-1N</b>	<b>B13B-XASK-1N-A</b>	30.0	35.0	100
14	<b>B14B-XASK-1N</b>	<b>B14B-XASK-1N-A</b>	32.5	37.5	100
15	<b>B15B-XASK-1N</b>	<b>B15B-XASK-1N-A</b>	35.0	40.0	100
18	<b>B18B-XASK-1N</b>	—	42.5	47.5	100

#### Material and Finish

Pin: Copper alloy, copper-undercoated, tin-plated (reflow treatment)  
Wafer: Glass-filled PA 66, UL94V-0, natural (white)

**RoHS compliance** This product displays (LF)(SN) on a label.

<For reference> As the color identification, the following alphabet shall be put in the underlined part.  
For availability, delivery and minimum order quantity, contact JST.

ex. **B02B-XASK-1N-A**

S...natural (white)

K...black R...red E...blue Y...yellow L...lemon yellow

M...green O...orange N...brown H...gray P...purple

LE...light blue PK...pink FY...vivid yellow

No. of circuits	Model No.	Dimensions (mm)		Q'ty/box
	Side entry type without a hook	A	B	
2	<b>S02B-XASS-1N-BN</b>	2.5	7.5	250
3	<b>S03B-XASS-1N-BN</b>	5.0	10.0	250
4	<b>S04B-XASS-1N-BN</b>	7.5	12.5	200
5	<b>S05B-XASS-1N-BN</b>	10.0	15.0	200
6	<b>S06B-XASS-1N-BN</b>	12.5	17.5	200
7	<b>S07B-XASS-1N-BN</b>	15.0	20.0	200
8	<b>S08B-XASS-1N-BN</b>	17.5	22.5	100
9	<b>S09B-XASS-1N-BN</b>	20.0	25.0	100
10	<b>S10B-XASS-1N-BN</b>	22.5	27.5	100
11	<b>S11B-XASS-1N-BN</b>	25.0	30.0	100
12	<b>S12B-XASS-1N-BN</b>	27.5	32.5	100
13	<b>S13B-XASS-1N-BN</b>	30.0	35.0	100
14	<b>S14B-XASS-1N-BN</b>	32.5	37.5	100

#### Material and Finish

Pin: Copper alloy, copper-undercoated, tin-plated (reflow treatment)  
Wafer: Glass-filled PA 66, UL94V-0, natural (white)

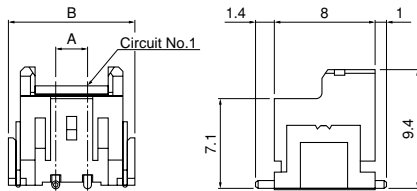
**RoHS compliance** This product displays (LF)(SN) on a label.

Note: 1. As for side entry type, we recommend to use a product with a boss (hook) because stress is applied directly to fillet part when handling the wire. When using the side entry type product without a boss (hook), please handle the wire with care.

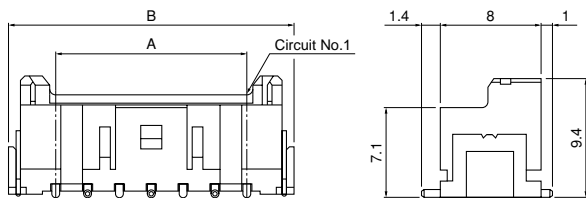
# XA CONNECTOR

## SMT type shrouded header

<2 circuits>



<3 to 9, 12, 13, 15 circuits>



No. of circuits	Model No.	Dimensions (mm)		Q'ty/reel
		A	B	
2	<b>BM02B-XASS-TF</b>	2.5	10.0	500
3	<b>BM03B-XASS-TF</b>	5.0	12.5	500
4	<b>BM04B-XASS-TF</b>	7.5	15.0	500
5	<b>BM05B-XASS-TF</b>	10.0	17.5	500
6	<b>BM06B-XASS-TF</b>	12.5	20.0	500
7	<b>BM07B-XASS-TF</b>	15.0	22.5	500
8	<b>BM08B-XASS-TF</b>	17.5	25.0	500
9	<b>BM09B-XASS-TF</b>	20.0	27.5	500
12	<b>BM12B-XASS-TF</b>	27.5	35.0	500
13	<b>BM13B-XASS-TF</b>	30.0	37.5	500
15	<b>BM15B-XASS-TF</b>	35.0	42.5	500

### Material and Finish

Pin: Copper alloy, copper-undercoated, tin-plated (reflow treatment)  
 Wafer: PA, UL94V-0, natural  
 Solder tab: Brass, copper-undercoated, tin-plated (reflow treatment)

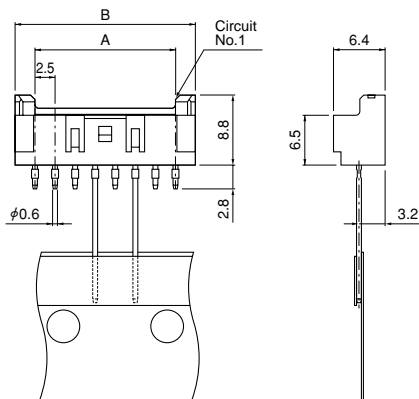
**RoHS compliance** This product displays (LF)(SN) on a label.

<For reference> As the color identification, the following alphabet shall be put in the underlined part. For availability, delivery and minimum order quantity, contact JST.

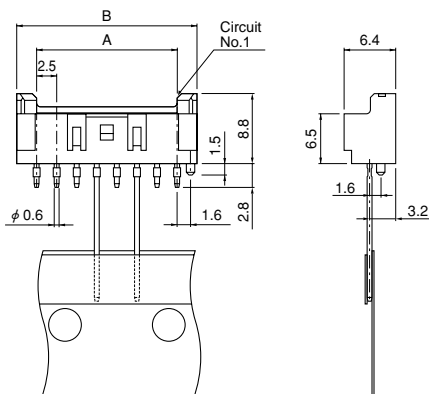
ex. **BM02B-XASS-TF**  
 S...natural  
 K...black R...red E...blue

## Through-hole type shrouded header on radial-tape

Top entry type without a boss



Top entry type with a boss



No. of circuits	Model No.		Dimensions (mm)		Q'ty/box
	Top entry type without a boss	Top entry type with a boss	A	B	
2	<b>B02B-XASS-1-T</b>	—	2.5	7.5	1,000
3	<b>B03B-XASS-1-T</b>	<b>B03B-XASS-1-A-T</b>	5.0	10.0	1,000
4	<b>B04B-XASS-1-T</b>	<b>B04B-XASS-1-A-T</b>	7.5	12.5	500
5	<b>B05B-XASS-1-T</b>	<b>B05B-XASS-1-A-T</b>	10.0	15.0	500
6	<b>B06B-XASS-1-T</b>	<b>B06B-XASS-1-A-T</b>	12.5	17.5	500
7	<b>B07B-XASS-1-T</b>	<b>B07B-XASS-1-A-T</b>	15.0	20.0	500
8	<b>B08B-XASS-1-T</b>	<b>B08B-XASS-1-A-T</b>	17.5	22.5	500

### Material and Finish

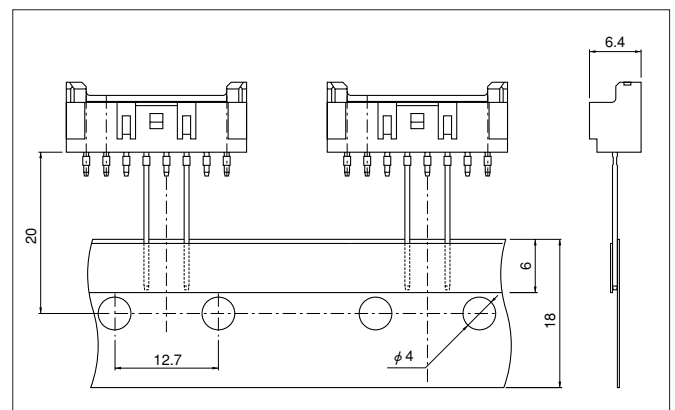
Pin: Copper alloy, copper-undercoated, tin-plated (reflow treatment)  
 Wafer: Glass-filled PA 66, UL94V-0, natural (ivory)

**RoHS compliance** This product displays (LF)(SN) on a label.

<For reference> As the color identification, the following alphabet shall be put in the underlined part. For availability, delivery and minimum order quantity, contact JST.

ex. **B03B-XASS-1-A-T**  
 S...natural (ivory)  
 R...red E...blue M...green

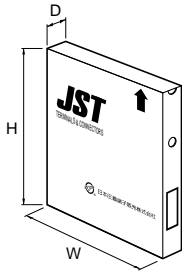
## Taping specifications



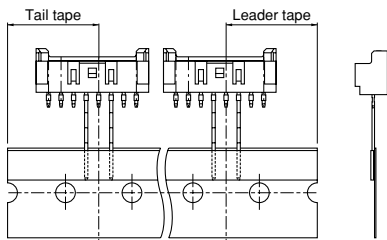
Note: Conforms to JIC C 0806 of "Tape packaging of components with unidirectional leads on continuous tapes".

# XA CONNECTOR

## Packaging specifications



Distance between the end of the tape and the first connector's center line (either end)



Package type	Flat pack (zigzag folded)	
Distance between folds	24 indexing holes per fold (304.8 mm)	
Box size	316(W)×45(D)×330(H) mm	
Distance between the end of the tape and the first connector's center line (either end)	19.05 mm	
Quantity	2, 3 circuits	1,000 pcs./box
	4~8 circuits	500 pcs./box

*Note: Products of different packaging specifications are also available.  
Contact JST for details.*

单击下面可查看定价，库存，交付和生命周期等信息

[>>JST\(日本压着端子製造株式会社\)](#)