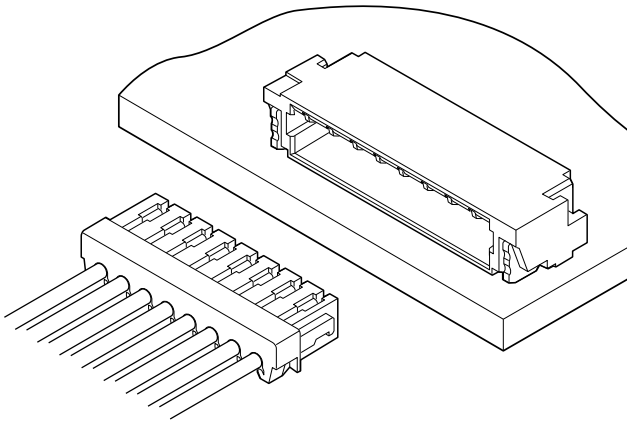


# SUR CONNECTOR



0.8mm pitch/Disconnectable Insulation displacement connectors



The world's first 0.8 mm pitch wire-to-board insulation displacement connector.

Side entry type is only 3.9 mm depth and 1.75 mm height after mounting on the PC board, and top entry type is only 2.2 mm depth and 3.9 mm height.

Compared to the conventional 1.0 mm pitch SSR connector, occupation space on the board is reduced by 34% (side entry type).

- 3-point grip construction
- Super fine wires are applicable
- Shrouded header
- Twin U-slot insulation displacement section

## Specifications

- Current rating: 0.5 A AC, DC (AWG #32)  
0.2 A AC, DC (AWG #36)
- Voltage rating: 30 V DC
- Temperature range: -25°C to +85°C  
(including temperature rise in applying electrical current)
- Contact resistance: Initial value/ 20 mΩ max.  
After environmental tests / 40 mΩ max.
- Insulation resistance: 100 MΩ min.
- Withstanding voltage: 200 VAC/minute
- Applicable wire: Conductor size/ AWG #32, #36  
Conductor/ 7 strands,  
tin-coated copper alloy  
Insulation O.D./ 0.39 mm

\* Refer to "General Instruction and Notice when using Terminals and Connectors" at the end of this catalog.

\* Contact JST for details.

\* Compliant with RoHS.

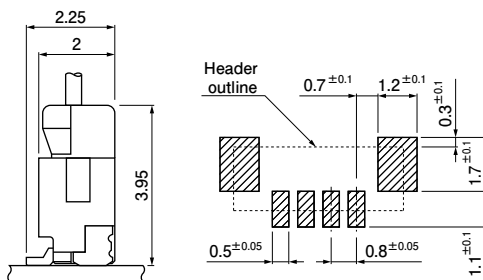
## Standards

Ⓜ Recognized E60389

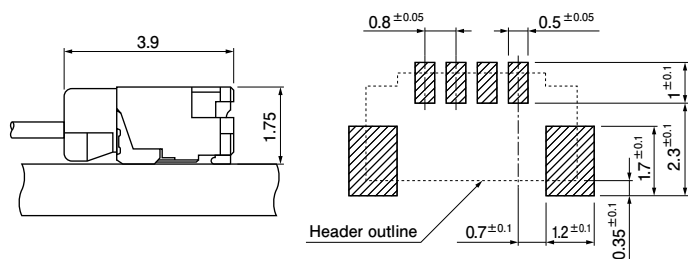
Ⓢ Certified LR20812

## PC board layout and Assembly layout

### Top entry type



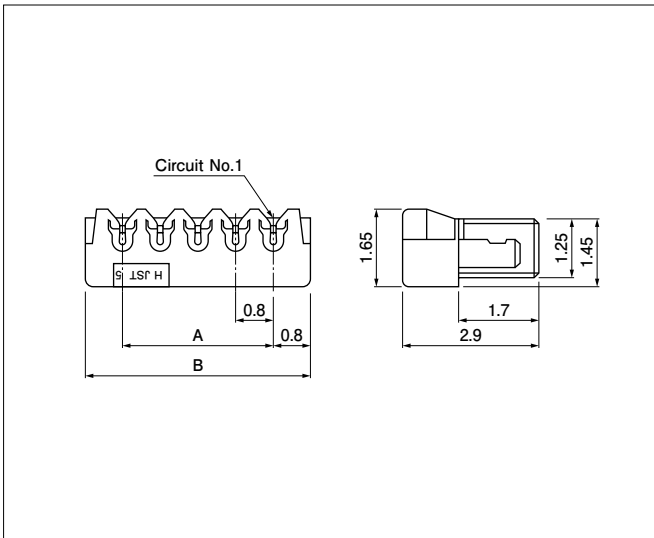
### Side entry type



- Note: 1. The above figure is the figure viewed from the connector mounting side.  
2. Tolerances are non-cumulative:  $\pm 0.05$  mm for all centers.  
3. Dimensions above should serve as a guideline. Contact JST for details.

# SUR CONNECTOR

## Socket



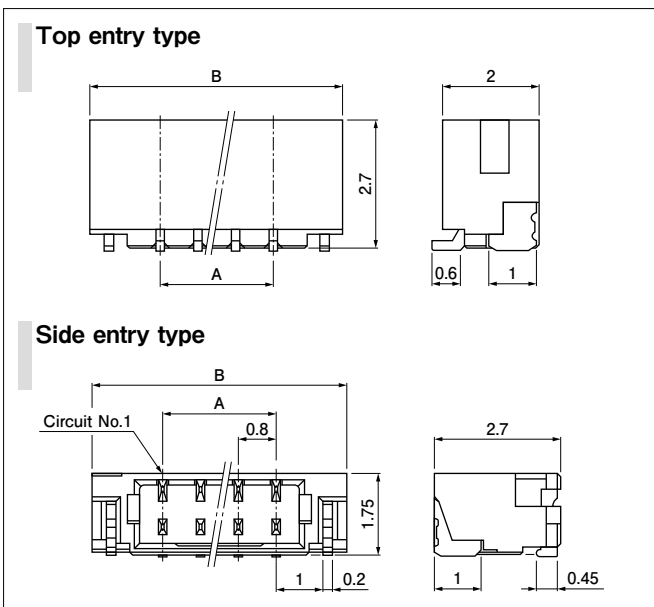
| No. of circuits | Model No.     |                    | Dimensions (mm) |      | Q'ty /box |
|-----------------|---------------|--------------------|-----------------|------|-----------|
|                 | #32 (Natural) | #36 (Lemon yellow) | A               | B    |           |
| 2               | 02SUR-32S     | 02SUR-36L          | 0.8             | 2.4  | 2,000     |
| 3               | 03SUR-32S     | 03SUR-36L          | 1.6             | 3.2  | 2,000     |
| 4               | 04SUR-32S     | 04SUR-36L          | 2.4             | 4.0  | 2,000     |
| 5               | 05SUR-32S     | 05SUR-36L          | 3.2             | 4.8  | 2,000     |
| 6               | 06SUR-32S     | 06SUR-36L          | 4.0             | 5.6  | 2,000     |
| 8               | 08SUR-32S     | 08SUR-36L          | 5.6             | 7.2  | 2,000     |
| 10              | 10SUR-32S     | 10SUR-36L          | 7.2             | 8.8  | 2,000     |
| 12              | 12SUR-32S     | 12SUR-36L          | 8.8             | 10.4 | 2,000     |
| 14              | 14SUR-32S     | 14SUR-36L          | 10.4            | 12.0 | 2,000     |
| 15              | 15SUR-32S     | 15SUR-36L          | 11.2            | 12.8 | 2,000     |
| 16              | 16SUR-32S     | 16SUR-36L          | 12.0            | 13.6 | 2,000     |
| 17              | 17SUR-32S     | 17SUR-36L          | 12.8            | 14.4 | 2,000     |
| 20              | 20SUR-32S     | 20SUR-36L          | 15.2            | 16.8 | 2,000     |
| 22              | 22SUR-32S     | 22SUR-36L          | 16.8            | 18.4 | 2,000     |

### Material and Finish

Contact: Copper alloy, tin-plated (reflow treatment)  
Housing: PA, UL94V-0

RoHS compliance

## Shrouded header



| No. of circuits | Model No.      |                 | Dimensions (mm) |      | Q'ty/reel      |                 |
|-----------------|----------------|-----------------|-----------------|------|----------------|-----------------|
|                 | Top entry type | Side entry type | A               | B    | Top entry type | Side entry type |
| 2               | BM02B-SURS-TF  | SM02B-SURS-TF   | 0.8             | 3.8  | 2,500          | 3,500           |
| 3               | BM03B-SURS-TF  | SM03B-SURS-TF   | 1.6             | 4.6  | 2,500          | 3,500           |
| 4               | BM04B-SURS-TF  | SM04B-SURS-TF   | 2.4             | 5.4  | 2,500          | 3,500           |
| 5               | BM05B-SURS-TF  | SM05B-SURS-TF   | 3.2             | 6.2  | 2,500          | 3,500           |
| 6               | BM06B-SURS-TF  | SM06B-SURS-TF   | 4.0             | 7.0  | 2,500          | 3,500           |
| 8               | BM08B-SURS-TF  | SM08B-SURS-TF   | 5.6             | 8.6  | 2,500          | 3,500           |
| 10              | BM10B-SURS-TF  | SM10B-SURS-TF   | 7.2             | 10.2 | 2,500          | 3,500           |
| 12              | BM12B-SURS-TF  | SM12B-SURS-TF   | 8.8             | 11.8 | 2,500          | 3,500           |
| 14              | BM14B-SURS-TF  | SM14B-SURS-TF   | 10.4            | 13.4 | 2,500          | 3,500           |
| 15              | BM15B-SURS-TF  | SM15B-SURS-TF   | 11.2            | 14.2 | 2,500          | 3,500           |
| 16              | BM16B-SURS-TF  | SM16B-SURS-TF   | 12.0            | 15.0 | 2,500          | 3,500           |
| 17              | BM17B-SURS-TF  | SM17B-SURS-TF   | 12.8            | 15.8 | 2,500          | 3,500           |
| 20              | BM20B-SURS-TF  | SM20B-SURS-TF   | 15.2            | 18.2 | 2,500          | 3,500           |
| 22              | —              | SM22B-SURS-TF   | 16.8            | 19.8 | —              | 3,500           |

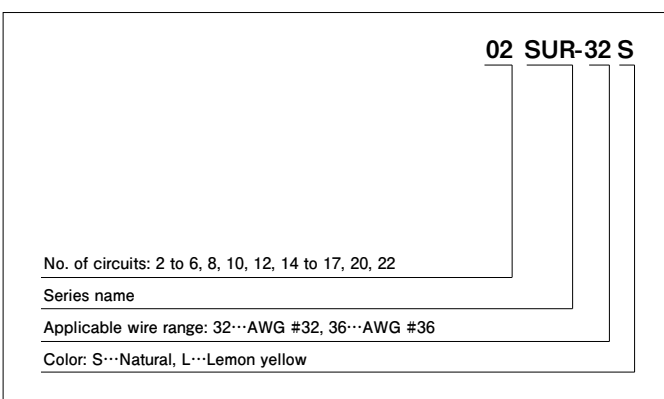
### Material and Finish

Contact: Copper alloy, copper-undercoated, tin-plated (reflow treatment)  
Wafer: PA, UL94V-0, natural  
Solder tab: Brass, copper-undercoated, tin-plated (reflow treatment)

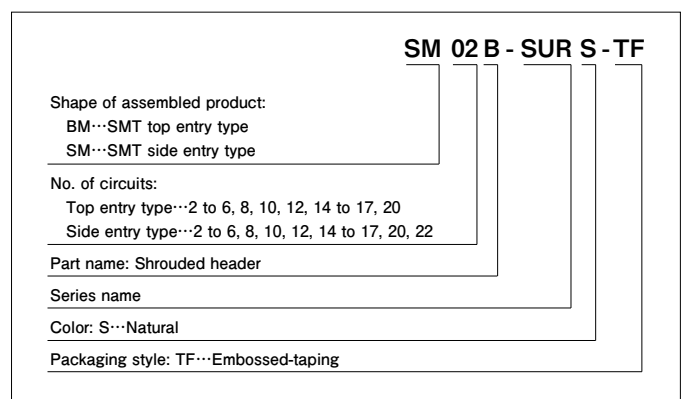
RoHS compliance This product displays (LF)(SN) on a label.  
Note: These products listed above are supplied on embossed-tape.

## Model number allocation

### Socket



### Shrouded header



单击下面可查看定价，库存，交付和生命周期等信息

[>>JST\(杰世腾\)](#)