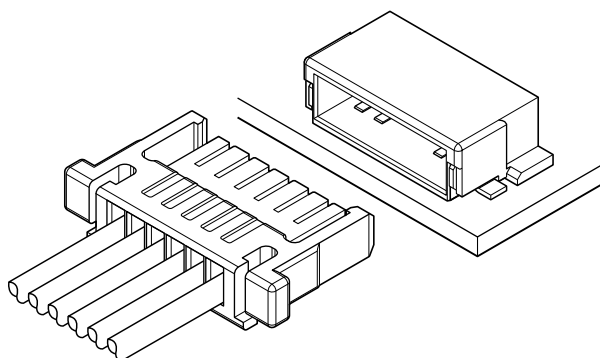


SHJ CONNECTOR



1.0 mm pitch/Disconnectable Crimp style connectors



This is a wire to board connector with secure locking device used for power supply of LED.

- Low profile design
- Secure locking structure
- Halogen-free

Specifications

- Current rating: 1.0 A AC/DC (AWG #28)
- Voltage rating: 125 V AC/DC
- Temperature range: -25°C to +85°C
(including temperature rise in applying electrical current)
- Contact resistance: Initial value/ 20 mΩ max.
After environmental tests/ 40 mΩ max.
- Insulation resistance: 100 MΩ min.
- Withstanding voltage: 500 VAC/minute
- Applicable wire: Conductor size/ AWG #32 to #28
Insulation O.D./ 0.54 to 0.8 mm

* In using the products, refer to "Handling Precautions for Terminals and Connectors" described on our website (Technical documents of Product information page).

* RoHS2 compliance

* Dimensional unit: mm

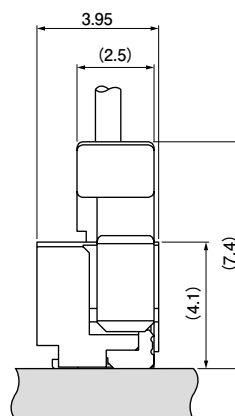
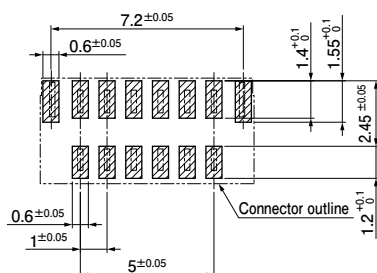
* Contact JST for details.

Standards

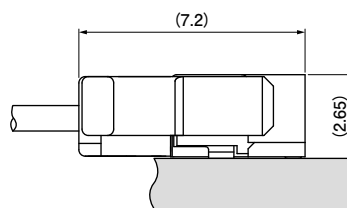
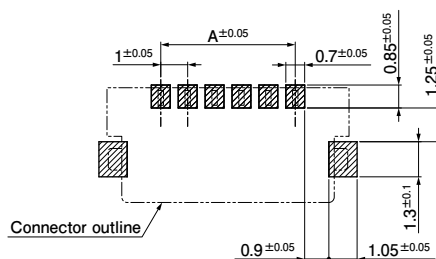
Recognized E 60389

PC board layout and Assembly layout

Top entry type



Side entry type



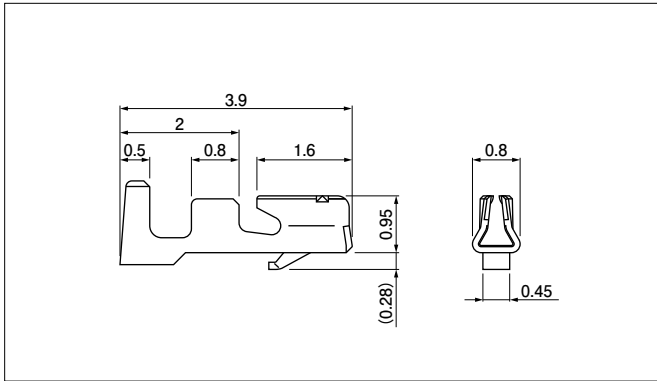
Note: 1. The above figure is the figure viewed from the connector mounting side.

2. Tolerances are non-cumulative: ± 0.05 mm for all centers.

The dimensions above should serve as a guideline. Contact JST for details.

SHJ CONNECTOR

Contact



Model No.	Applicable wire		Insulation O.D. (mm)	Q'ty/reel
	mm ²	AWG#		
SSHJ-003T-P0.2	0.032 to 0.08	32 to 28	0.54 to 0.8	28,000

Material and Finish

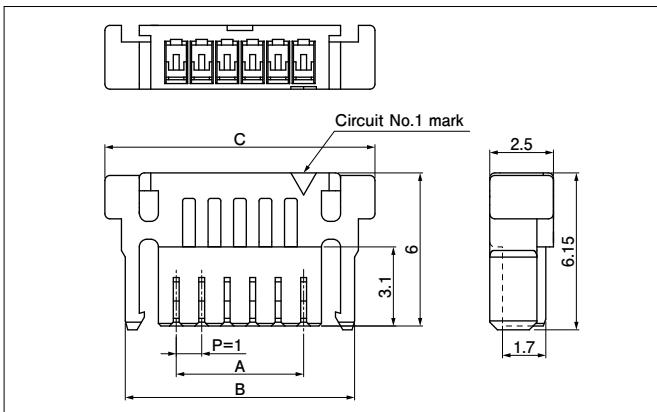
Phosphor bronze, tin-plated (reflow treatment)

RoHS2 compliance

Contact	Crimping machine	Applicator		
		Crimp applicator	Dies	Crimp applicator with dies
SSHJ-003T-P0.2	AP-K2N	MKS-L-10-3	MK/SSH/L-003-02	APLMK SSH/L003-02

- Note: 1. The above contact can be crimped by our genuine dies for the existing SH connector contact.
2. Contact JST for fully automatic crimping applicator.

Housing



No. of circuits	Model No.	Dimensions (mm)			Q'ty/bag
		A	B	C	
2	SHJP-02V-S (HF)	1	5	6.6	1,000
6	SHJP-06V-S (HF)	5	9	10.6	1,000

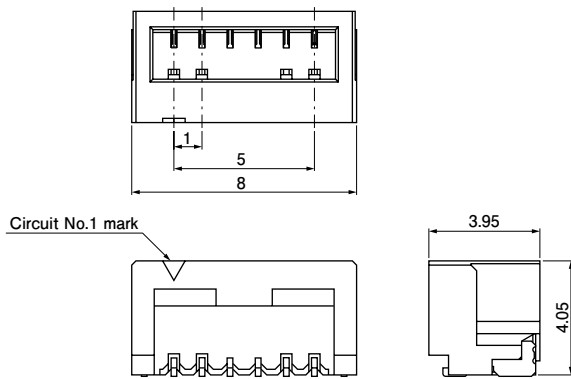
Material and Finish

PBT, UL94V-0, natural (white)

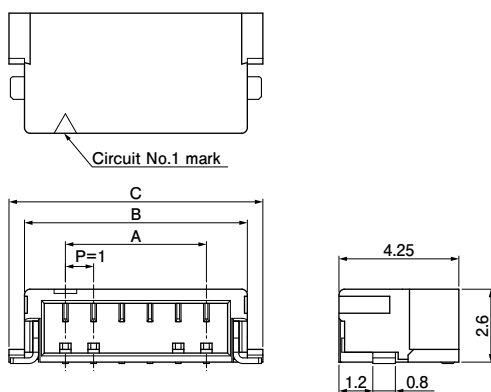
RoHS2 compliance

Header

Top entry type



Side entry type



Top entry type

No. of circuits	Model No.	Q'ty/reel
6	BM06B-SHJS-TB (HF)	2,500

Side entry type

No. of circuits	Model No.	Dimensions (mm)			Q'ty/reel
		A	B	C	
2	SM02B-SHJH-TF (HF)	1	3.9	5	3,500
6	SM06B-SHJH-TF (HF)	5	7.9	9	3,500

Material and Finish

Base contact: Brass, tin-plated (reflow treatment)
Base housing (Top entry type): PA 4T, natural
Base housing (Side entry type): PA 6T, gray
Solder tab: Brass, tin-plated (reflow treatment)

RoHS2 compliance

Note: The product listed above are supplied on embossed-tape.

Model number allocation

Contact

S SHJ - 003 T - P 0.2

Form: S...Strip form

Series name

Applicable wire range: 003...AWG #32 to #28

Surface finish: T...Tin-plated (reflow treatment)

Material: P...Phosphor bronze

Terminal size

Housing

SHJ P-06V-S (HF)

Series name

Part name: P...Socket

No. of circuits: 2, 6

Flammability: V...UL94V-0

Color: S...Natural (White)

Indication of halogen-free: (HF)...Halogen-free

Header (Top entry type)

BM 06 B-SHJ S-TB (HF)

Shape of assembled product:
BM...SMT top entry type

No. of circuits: 6

Indication of assembly: B...Header

Series name

Color: S...Natural

Packaging style: TB...Embossed-taping

Indication of halogen-free: (HF)...Halogen-free

Header (Side entry type)

SM 06 B-SHJ H-TF (HF)

Shape of assembled product:
SM...SMT side entry type

No. of circuits: 2, 6

Indication of assembly: B...Header

Series name

Color: H...Gray

Packaging style: TF...Embossed-taping

Indication of halogen-free: (HF)...Halogen-free

单击下面可查看定价，库存，交付和生命周期等信息

[>>JST\(杰世腾\)](#)