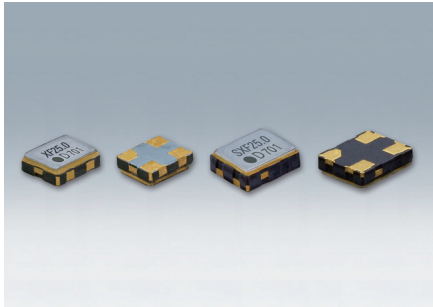


# SMD Crystal Oscillators

## DSO211SXF/DSO221SXF



Actual size DSO211SXF □ DSO221SXF □

### Features

- Supply Voltage: 1.8V/2.5V/2.8V/3.3V
- Available frequency range: 1 to 125MHz
- Low profile: 0.7mm (DSO211SXF), 0.8mm (DSO221SXF)
- CMOS Level Output
- Capable of operating over a wide temperature range, from -40 to 125°C.
- 3-state function

### Applications

- Audio equipment, communication equipment, visual equipment, FA equipment, PC, gaming equipment and WiLAN



[Function Code]

DSO\*\*\*SXF A Z

A : 3.3V	Z : $\pm 80 \times 10^{-6}$
B : 2.8V	B : $\pm 50 \times 10^{-6}$
C : 2.5V	C : $\pm 30 \times 10^{-6}$
D : 1.8V	D : $\pm 25 \times 10^{-6}$
	E : $\pm 20 \times 10^{-6}$

[Type]

DSO211SXF	2016 size
DSO221SXF	2520 size

When requesting the product, please select the model and function code of your request.

### Standard Specification

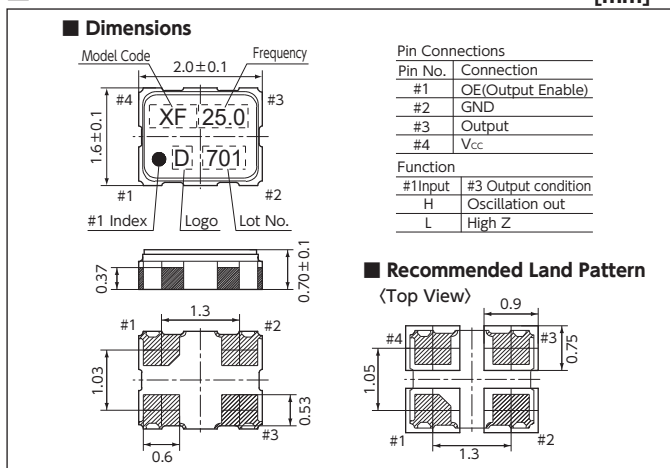
Item	Function Code		Output Frequency Range (MHz)	Legend	Spec.				Condition			
	Supply Voltage	Frequency tolerance			min.	typ.	max.	Unit				
Supply Voltage	A	*	$1 \leq f_0 \leq 125$	V <sub>CC</sub>	+3.0	+3.3	+3.6	V	-40 to +125°C	-10 to +70°C (Standard Operating Temperature Range)		
	B				+2.6	+2.8	+3.0					
	C		+2.25		+2.5	+2.75						
	D		+1.6		+1.8	+2.0						
Frequency Tolerance (includes frequency tolerance at room temperature)	*	Z	*	f <sub>tol</sub>	-	-	+80	$\times 10^{-6}$			-40 to +85°C	-10 to +70°C (Standard Operating Temperature Range)
		B			-	-	+50					
		C			-	-	+30					
		D			-	-	+25					
		E			-	-	+20					
Current Consumption	A, B, C, D	*	100 $\leq$ f <sub>0</sub> $\leq$ 125 40 $\leq$ f <sub>0</sub> < 100 1 $\leq$ f <sub>0</sub> < 40	I <sub>CC</sub>	-	-	10.0	mA	No Load			
					A	100 $\leq$ f <sub>0</sub> $\leq$ 125	-				-	4.2
						40 $\leq$ f <sub>0</sub> < 100	-				-	2.4
						1 $\leq$ f <sub>0</sub> < 40	-				-	9.0
					B	100 $\leq$ f <sub>0</sub> $\leq$ 125	-				-	3.7
						40 $\leq$ f <sub>0</sub> < 100	-				-	2.2
						1 $\leq$ f <sub>0</sub> < 40	-				-	8.0
					C	100 $\leq$ f <sub>0</sub> $\leq$ 125	-				-	3.4
						40 $\leq$ f <sub>0</sub> < 100	-				-	2.0
						1 $\leq$ f <sub>0</sub> < 40	-				-	2.7
					D	40 $\leq$ f <sub>0</sub> $\leq$ 100	-				-	1.7
						1 $\leq$ f <sub>0</sub> < 40	-				-	-
	-	-	-									
Stand-by Current (#1 pin "L" Level)	*	*	*	I <sub>std</sub>	-	-	10	$\mu$ A				
Load Condition	*	*	*	L <sub>CMOS</sub>	-	-	15	pF				
Symmetry	*	*	*	SYM	45	50	55	%	50% V <sub>CC</sub> Level			
0 Level Input Voltage	*	*	*	V <sub>OL</sub>	-	-	V <sub>CC</sub> × 0.1	V				
1 Level Input Voltage	*	*	*	V <sub>OH</sub>	V <sub>CC</sub> × 0.9	-	-	V				
Rise and Fall Time	A, B, C, D	*	*	tr, tf	-	-	3 5	ns	10 to 90% V <sub>CC</sub> Level			
OE Pin 0 Level Input Voltage	*	*	*	V <sub>IL</sub>	-	-	V <sub>CC</sub> × 0.3	V				
OE Pin 1 Level Input Voltage	*	*	*	V <sub>IH</sub>	V <sub>CC</sub> × 0.7	-	-	V				
Output Disable Time	*	*	*	tPLZ	-	-	200	ns				
Output Enable Time	*	*	*	tPZL	-	-	2	ms				
Packing Unit (1)	3000pcs./reel (φ 180)											

(1) Moisture prevention packing is unnecessary.  
Moisture Sensitivity Level: Level1 (IPC/JEDEC J-STD-033)

Consult our sales representative for other specifications.

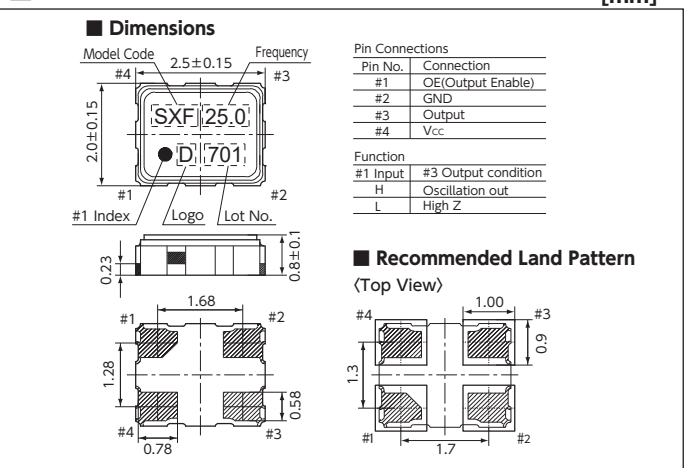
### DSO211SXF

[mm]



### DSO221SXF

[mm]



单击下面可查看定价，库存，交付和生命周期等信息

[>>KDS\(大真空\)](#)