

## VOLTAGE DETECTOR

Function of this IC is accurately resetting the system after detecting voltage at the time of switching power on and instantaneous power off in various CPU systems and other logic systems.

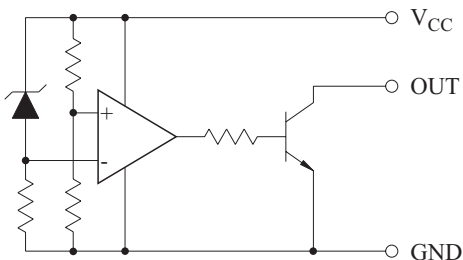
### FEATURES

- Current Consumption is Low.  $I_{CCL}=300 \mu A$  Typ.  $I_{CCH}=30 \mu A$  Typ.
- Resetting Output Minimum Guarantee Voltage is Low 0.8V Typ.
- Hysteresis Voltage is Provided. 50mV Typ.
- Reset Signal Generation Starting Voltages :
  - KIA7019 1.9V Typ. KIA7033 3.3V Typ.
  - KIA7021 2.1V Typ. KIA7034 3.4V Typ.
  - KIA7023 2.3V Typ. KIA7035 3.5V Typ.
  - KIA7025 2.5V Typ. KIA7036 3.6V Typ.
  - KIA7027 2.7V Typ. KIA7039 3.9V Typ.
  - KIA7029 2.9V Typ. KIA7042 4.2V Typ.
  - KIA7031 3.1V Typ. KIA7045 4.5V Typ.
  - KIA7032 3.2V Typ.
- Taping Type is also Available.
- Suffix U : Qualified to AEC-Q100  
ex) KIA70\*\*AF-RTF/PU

### APPLICATIONS

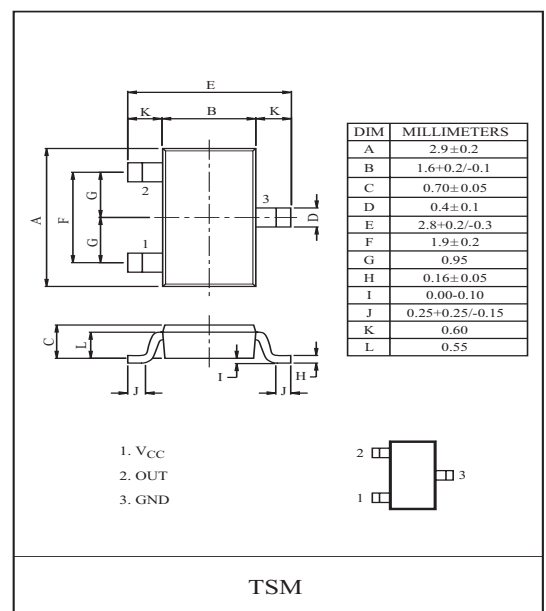
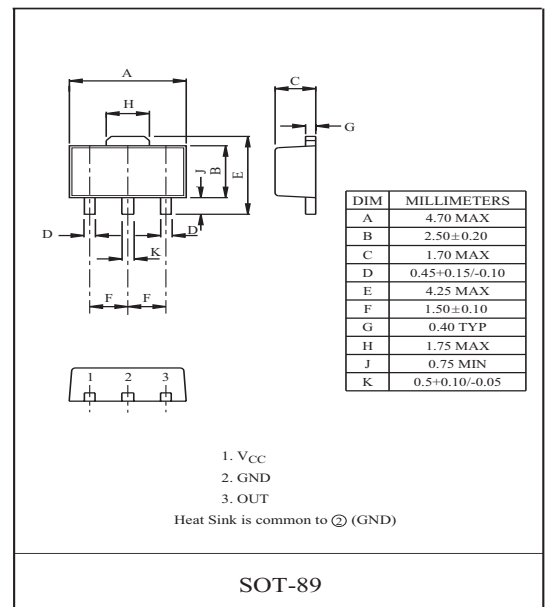
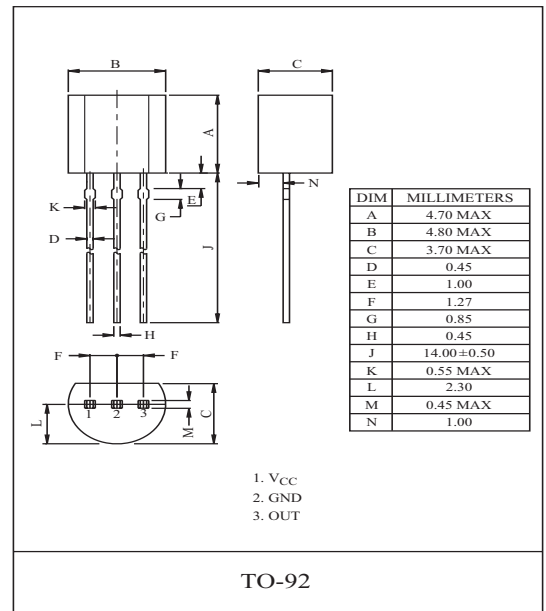
- (1) As Control Circuit of Battery-Backed Memory.
- (2) As Measure Against Erroneous Operations at Power ON-OFF.
- (3) As Measure Against System Runaway at Instantaneous Break of Power Supply etc.
- (4) As Resetting Function for the CPU-Mounted Equipment, such as Personal Computers, Printers, VTRs and so forth.

### EQUIVALENT CIRCUIT



### Marking

| Type No.     | Marking | Type No.     | Marking | Type No.     | Marking |
|--------------|---------|--------------|---------|--------------|---------|
| KIA7019AF/AT | 6A      | KIA7029AF/AT | 6F      | KIA7035AF/AT | 6L      |
| KIA7021AF/AT | 6B      | KIA7031AF/AT | 6G      | KIA7036AF/AT | 6M      |
| KIA7023AF/AT | 6C      | KIA7032AF/AT | 6H      | KIA7039AF/AT | 6N      |
| KIA7025AF/AT | 6D      | KIA7033AF/AT | 6J      | KIA7042AF/AT | 6P      |
| KIA7027AF/AT | 6E      | KIA7034AF/AT | 6K      | KIA7045AF/AT | 6R      |



# KIA7019AP/AF/AT~KIA7045AP/AF/AT

## MAXIMUM RATINGS (Ta=25 )

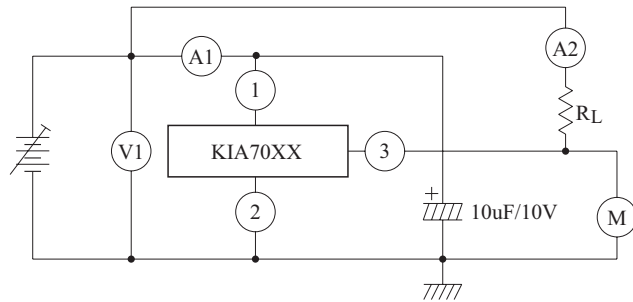
| CHARACTERISTIC                         |                | SYMBOL           | RATING     | UNIT |
|----------------------------------------|----------------|------------------|------------|------|
| Supply Voltage                         |                | V <sub>CC</sub>  | -0.3 +15.0 | V    |
| Power Dissipation (Package Limitation) | KIA7019AP 45AP | P <sub>D</sub>   | 400        | mW   |
|                                        | KIA7019AF 45AF |                  | 500        |      |
|                                        | KIA7019AT 45AT |                  | 350        |      |
| Operating Temperature                  |                | T <sub>opr</sub> | -40 +85    |      |
| Storage Temperature                    |                | T <sub>stg</sub> | -55 +150   |      |

## ELECTRICAL CHARACTERISTICS (V<sub>CC</sub>=5V, V<sub>EE</sub>=GND, Ta=25 )

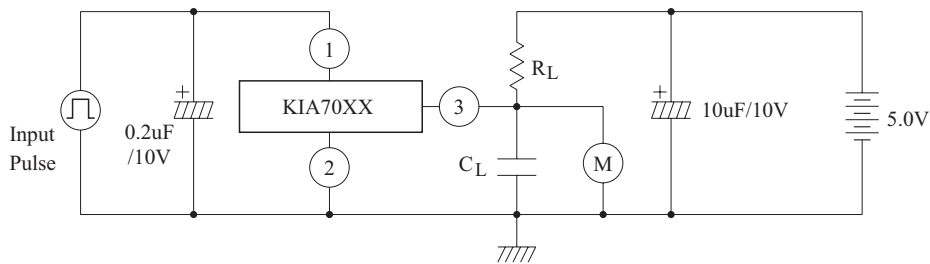
| CHARACTERISTIC                            | SYMBOL             | TEST CIRCUIT | TEST CONDITION                                       | MIN.    | TYP.   | MAX. | UNIT |   |
|-------------------------------------------|--------------------|--------------|------------------------------------------------------|---------|--------|------|------|---|
| Detecting Voltage                         | V <sub>S</sub>     | 1            | R <sub>L</sub> =200<br>V <sub>OL</sub> 0.4V          | KIA7019 | 1.75   | 1.9  | 2.05 | V |
|                                           |                    |              |                                                      | KIA7021 | 1.95   | 2.1  | 2.25 |   |
|                                           |                    |              |                                                      | KIA7023 | 2.15   | 2.3  | 2.45 |   |
|                                           |                    |              |                                                      | KIA7025 | 2.35   | 2.5  | 2.65 |   |
|                                           |                    |              |                                                      | KIA7027 | 2.55   | 2.7  | 2.85 |   |
|                                           |                    |              |                                                      | KIA7029 | 2.75   | 2.9  | 3.05 |   |
|                                           |                    |              |                                                      | KIA7031 | 2.95   | 3.1  | 3.25 |   |
|                                           |                    |              |                                                      | KIA7032 | 3.05   | 3.2  | 3.35 |   |
|                                           |                    |              |                                                      | KIA7033 | 3.15   | 3.3  | 3.45 |   |
|                                           |                    |              |                                                      | KIA7034 | 3.25   | 3.4  | 3.55 |   |
|                                           |                    |              |                                                      | KIA7035 | 3.35   | 3.5  | 3.65 |   |
|                                           |                    |              |                                                      | KIA7036 | 3.45   | 3.6  | 3.75 |   |
|                                           |                    |              |                                                      | KIA7039 | 3.75   | 3.9  | 4.05 |   |
|                                           |                    |              |                                                      | KIA7042 | 4.05   | 4.2  | 4.35 |   |
|                                           |                    |              |                                                      | KIA7045 | 4.35   | 4.5  | 4.65 |   |
| Low-Level Output Voltage                  | V <sub>OL</sub>    | 1            | R <sub>L</sub> =200                                  | -       | -      | 0.4  | V    |   |
| Output Leakage Current                    | I <sub>OH</sub>    | 1            | V <sub>CC</sub> =15V                                 | -       | -      | 0.1  | μA   |   |
| Hysteresis Voltage                        | V <sub>S</sub>     | 1            | R <sub>L</sub> =200                                  | 30      | 50     | 100  | mV   |   |
| Detecting Voltage Temperature Coefficient | V <sub>S</sub> / T | 1            | R <sub>L</sub> =200                                  | -       | ± 0.01 | -    | %/   |   |
| Circuit Current at on Time                | I <sub>ccL</sub>   | 1            | V <sub>CC</sub> =V <sub>Smin</sub> -.05V             | -       | 300    | 500  | μA   |   |
| Circuit Current at off Time               | I <sub>ccH</sub>   | 1            | V <sub>CC</sub> =5.25V                               | -       | 30     | 50   | μA   |   |
| Threshold Operating Voltage               | V <sub>opr</sub>   | 1            | R <sub>L</sub> =200 , V <sub>OL</sub> 0.4V           | -       | 0.8    | -    | V    |   |
| "L" Transmission Delay Time               | tpHL               | 2            | R <sub>L</sub> =1.0k , C <sub>L</sub> =100pF         | -       | 10     | -    | μs   |   |
| "H" Transmission Delay Time               | tpLH               | 2            | R <sub>L</sub> =1.0k , C <sub>L</sub> =100pF         | -       | 15     | -    | μs   |   |
| Output Current at on Time I               | I <sub>oL I</sub>  | 1            | V <sub>CC</sub> =V <sub>Smin</sub> -.05V, Tc=25      | 20      | -      | -    | mA   |   |
| Output Current at on Time II              | I <sub>oL II</sub> | 1            | V <sub>CC</sub> =V <sub>Smin</sub> -.05V, Tc=-30 +75 | 16      | -      | -    | mA   |   |

# KIA7019AP/AF/AT~KIA7045AP/AF/AT

## TEST CIRCUIT 1.

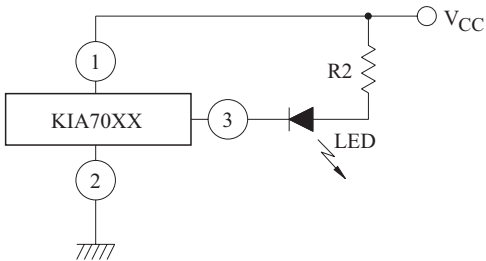


## TEST CIRCUIT 2.

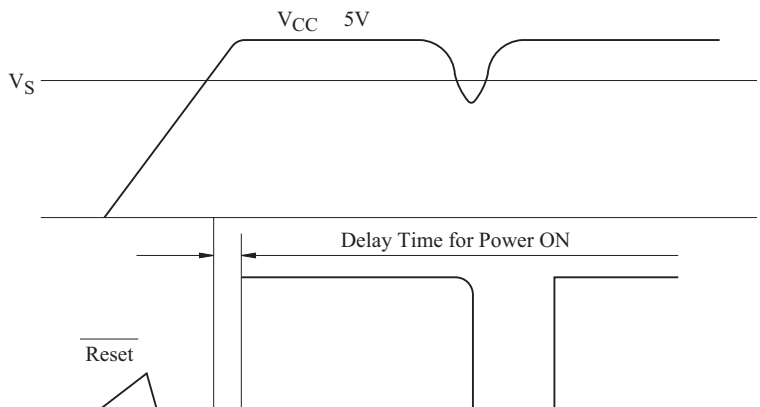
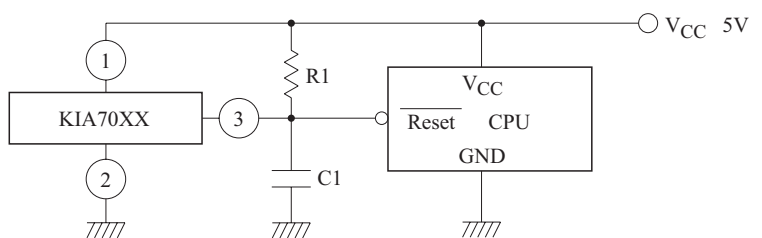


## APPLICATION CIRCUIT

### (1) BATTERY LOW INDICATOR



### (2) CPU RESETTING



(Note)

(1) Connecting of LED and R2 obtains a voltage drop indicator.

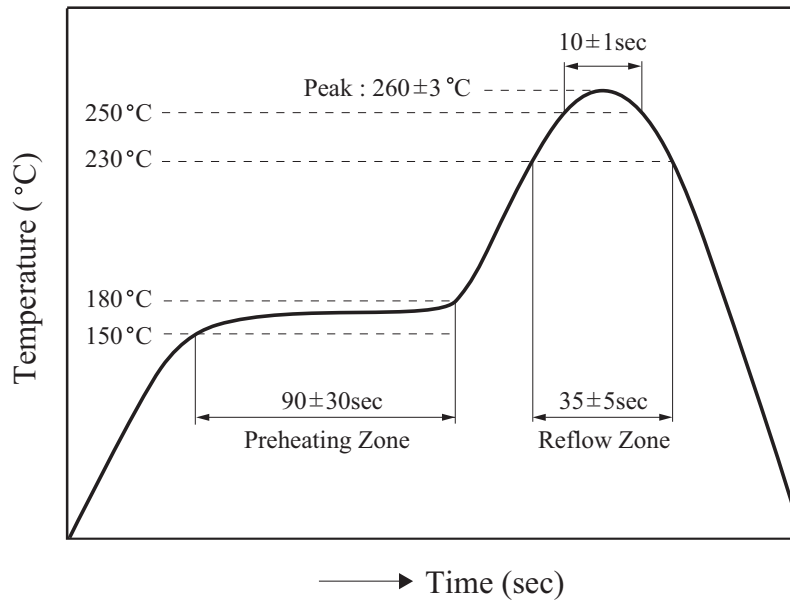
(2) Connecting of C1 and selection of time constant with C1 and R1 set the power on delay time.

# KIA7019AP/AF/AT~KIA7045AP/AF/AT

## PRECAUTION FOR USE

### Lead-Free Soldering Condition.

Elements mounting styles of electronic devices are gaining in further diversification over recent years, and needs for components are all the more expanding in varieties. Especially, surface mounting is steadily penetrating into industrial segments as a world-wide popular technical trend. Although exposure to high temperature is inevitable during soldering we recommend limiting the soldering temperature to low levels as shown in figure for the sake of retaining inherent excellent reliability.



[Lead-Free Soldering Temperature Profile]

### 1. When employing solder reflow method

#### 1) Soldering Condition

Standard Condition : 250 (Temperature), 10 ± 1sec. (Time)

Peak Condition : 260 ± 3

#### 2) Recommend temperature profile

#### 3) Precautions on heating method

When resin is kept exposed to high temperature for a long time, device reliability may be marred.

Therefore, it is essential to complete soldering in the shortest time possible to prevent temperature of resin from rising.

### 2. When employing halogen lamps or infrared-ray heaters

When halogen lamps or infrared-ray heaters are used, avoid direct irradiation onto resin surfaces; such devices cause extensive localized temperature rise.

Please keep a reflow solder operating when Surface Mount Package's Soldering.

单击下面可查看定价，库存，交付和生命周期等信息

[>>KEC\(开益禧\)](#)