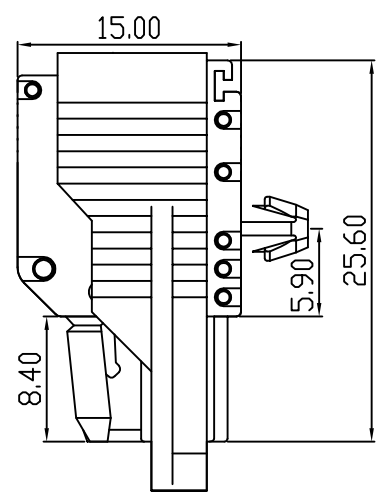
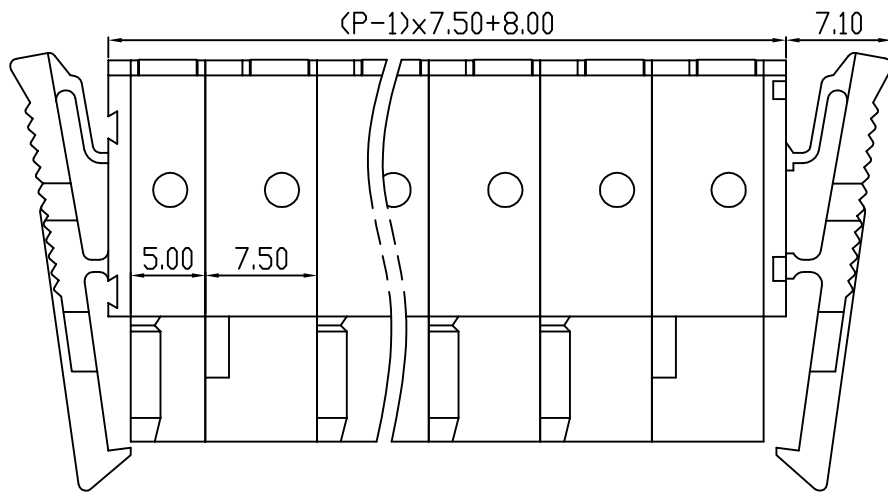
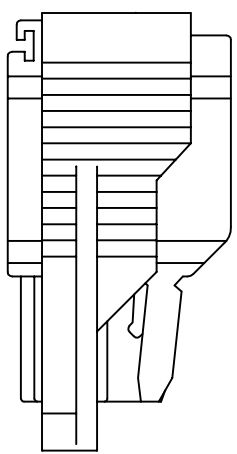
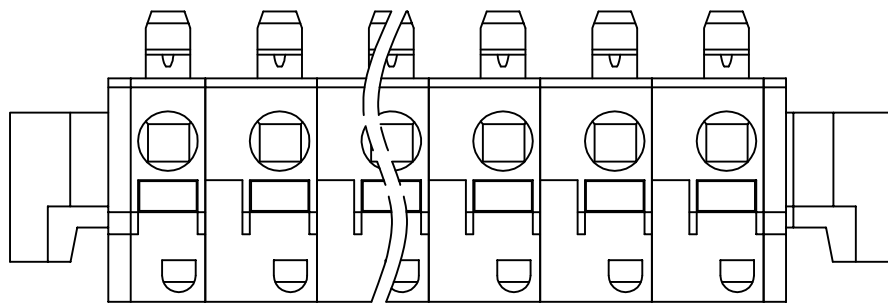


| linear dimension(Tolerances Standard GB/T 14486-2008) |       |              |               |               |                |                 |             | —     | $\nabla$       | $\perp$     |
|---|-------|--------------|---------------|---------------|----------------|-----------------|-------------|-------|----------------|-------------|
| variable range  | to 6  | over 6 to 10 | over 10 to 30 | over 30 to 60 | over 60 to 100 | over 100 to 160 | over 160 to | to 10 | over 10 to 100 | over 100 to |
| tolerance   | ±0.20 | ±0.30        | ±0.50         | ±0.70         | ±1.00          | ±1.30           | ±1.60       | 0.10  | 0.30           | 0.60        |

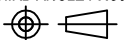
| REVISION RECORD |             |         |          |          |
|-----------------|-------------|---------|----------|----------|
| REV.            | DESCRIPTION | ECN No. | APPROVED | DATE     |
| A               | 新发行         |         | CLF      | 22.03.19 |
|                 |             |         |          |          |
|                 |             |         |          |          |

| UL/CUL 技术参数<br>UL/CUL Technical Data      |                  |     |      |
|---|------------------|-----|------|
| 等级 Use Group                              | B                | C   | D    |
| 额定电压 Rated Voltage [V]                    | 300              | -   | 300  |
| 额定电流 Rated Current [A]                    | 10               | -   | 10   |
| 接线范围 Wire Range                           | 28-12            |     |      |
| 单/多芯线 Solid/Stranded [AWG]                | 28-12            |     |      |
| 耐电压 Withstanding Voltage                  | 1600V/1Min       |     |      |
| IEC 技术参数<br>IEC Technical Data            |                  |     |      |
| 过电压类别 Overvoltage Category                | III              | III | II   |
| 污染等级 Contamination Class                  | 3                | 2   | 2    |
| 额定电压 Rated Voltage [V]                    | 400              | 630 | 1000 |
| 额定电流 Rated Current [A]                    | 15               | 15  | 15   |
| 额定冲击电压 Impulse withstand voltagea [KV]    | 6.0              | 6.0 | 6.0  |
| 导线截面积 Conductor cross section             | 2.5              |     |      |
| 硬质/柔性导线 Solid/flexible [mm <sup>2</sup> ] | 2.5              |     |      |
| 材料 Material                               |                  |     |      |
| 绝缘材料 Insulation Material                  | PA66             |     |      |
| 阻燃等级 Imflammability                       | UL94V-0          |     |      |
| 导体材料 Contactor Material                   | 铜合金 Copper alloy |     |      |
| 导体表面镀层 Contactive Coating                 | 镀镍 Ni Plated     |     |      |
| 一般参数 Other Data                           |                  |     |      |
| 间距 Pitch [mm]                             | 7.5              |     |      |
| 极数 Poles [P]                              | 2-24             |     |      |
| 剥线长度 Stripping Length [mm]                | 10-11            |     |      |
| 螺丝 Screw/扭矩 Torque(Max) [N.m]             | -                |     |      |
| 工作温度 Operating temperatur [°C]            | -40~+105         |     |      |
| 引针尺寸 Pin Dimensions [mm]                  | -                |     |      |
| PCB板孔径 PCB Hole Diameter [mm]             | -                |     |      |



|      |     |      |          |
|------|-----|------|----------|
| DES. | LQQ | DATE | 22.03.19 |
| CHK. | BY  | DATE | 22.03.19 |
| APP. | CLF | DATE | 22.03.19 |

单位/UNITS mm 尺寸/SIZE A4 比例/SCALE 1:1  
 慈溪市科发电子有限公司  
 CIXI KEFA ELECTRONIC CO., LTD

| 第三视角/THIRD ANGLE PROJECTION   |  | 版本/REV   | A             |
|---|--|----------|---------------|
|  |  | 名称/TITLE | KFM750CGF-7.5 |

单击下面可查看定价，库存，交付和生命周期等信息

[>>KEFA\(科发\)](#)