

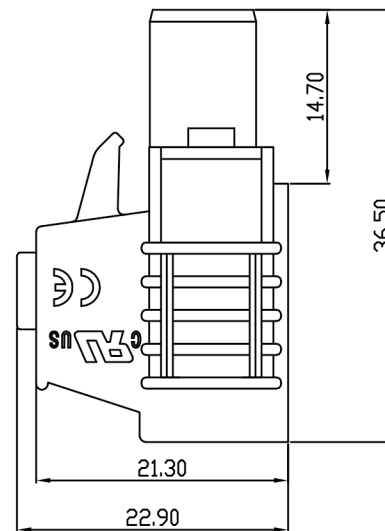
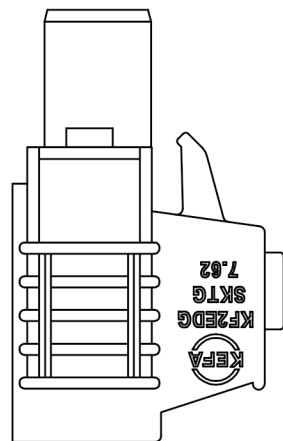
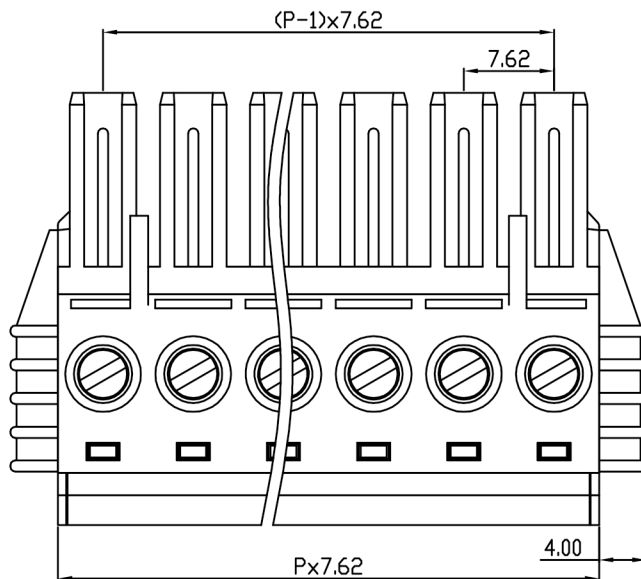
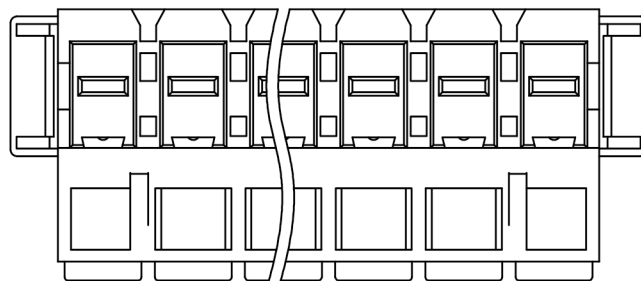
linear dimension(Tolerances Standard GB/T 14486-2008)



variable range	to 6	over 6 to 10	over 10 to 30	over 30 to 60	over 60 to 100	over 100 to 160	over 160 to	to 10	over 10 to 100	over 100 to
tolerance	±0.20	±0.30	±0.50	±0.70	±1.00	±1.30	±1.60	0.10	0.30	0.60

REVISION RECORD				
REV.	DESCRIPTION	ECN No.	APPROVED	DATE
A	新发行		GLF	21.04.01

UL/CUL 技术参数	UL/CUL Technical Data			
等级	Use Group	B	C	D
额定电压	Rated Voltage [V]	600	600	600
额定电流	Rated Current [A]	41	41	5
接线范围	Wire Range	24-8		
单/多芯线	Solid/Stranded [AWG]			
耐电压	Withstanding Voltage	2200V/1Min		
IEC 技术参数	IEC Technical Data			
过电压类别	Overtoltage Category	III	III	II
污染等级	Contamination Class	-	2	2
额定电压	Rated Voltage [V]	-	1000	1000
额定电流	Rated Current [A]	-	41	41
额定冲击电压	Impulse withstand voltagea [KV]	-	8.0	6.0
导线截面积	Conductor cross section	6.0		
硬质/柔性导线	Solid/flexible [mm ²]			
材料	Material			
绝缘材料	Insulation Material	PA66		
阻燃等级	Infammability	UL94V-0		
导体材料	Contactior Material	铜合金 Copper alloy		
导体表面镀层	Contactive Coating	镀镍 Ni plated		
一般参数	Other Data			
间距	Pitch [mm]	7.62		
极数	Poles [P]	2-16		
剥线长度	Stripping Length [mm]	7-8		
螺丝	Screw/扭矩 Torque(Max) [N.m]	M3/0.5		
工作温度	Operating temperatur [°C]	-40~+105		
引针尺寸	Pin Dimensions [mm]	-		
PCB板孔径	PCB Hole Diameter [mm]	-		



DES.	SJD	DATE	21.04.01	单位/UNITS	mm	尺寸/SIZE	A4	比例/SCALE	1:1	第三视角/THIRD ANGLE PROJECTION	版本/REV	A
CHK.	SY	DATE	21.04.01	慈溪市科发电子有限公司 CIXI KEFA ELECTRONIC CO., LTD				名称/TITLE	KF2EDGSKTG-7.62			
	LF	DATE	21.04.01									

单击下面可查看定价，库存，交付和生命周期等信息

[>>KEFA\(科发\)](#)