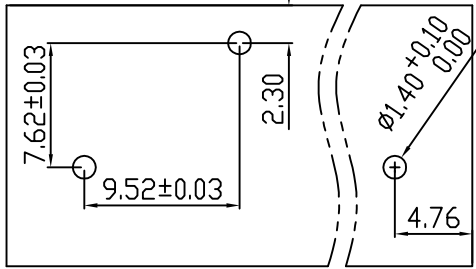
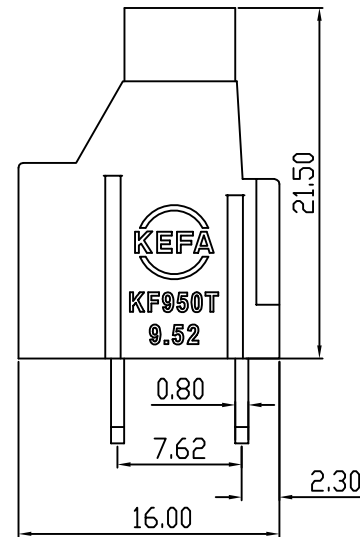
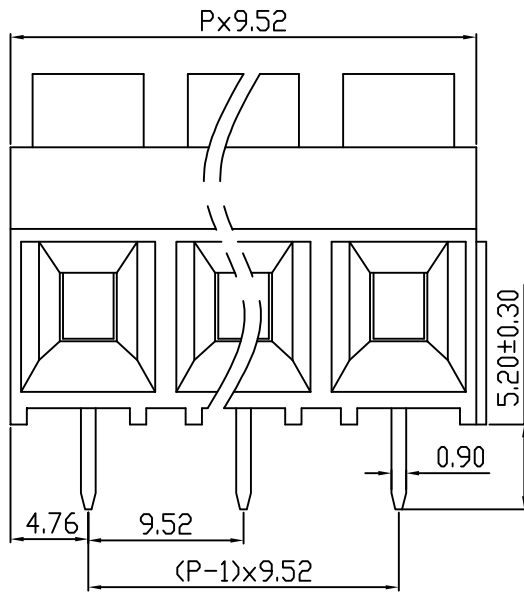
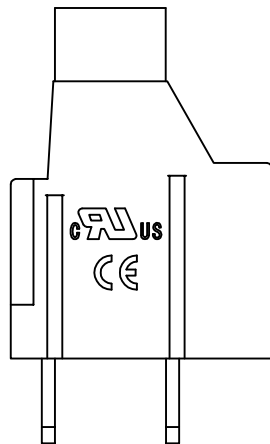
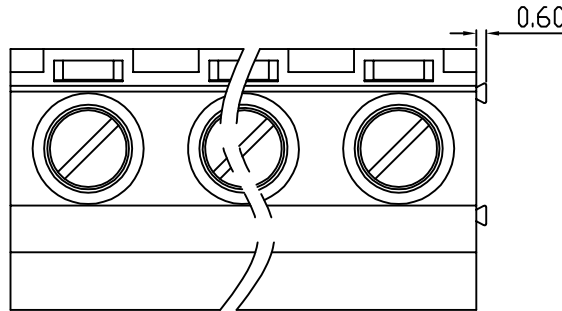


linear dimension(Tolerances Standard GB/T 14486-2008)								—	$\square$	$\perp$
variable range	to 6	over 6 to 10	over 10 to 30	over 30 to 60	over 60 to 100	over 100 to 160	over 160 to	to 10	over 10 to 100	over 100 to
tolerance	±0.20	±0.30	±0.50	±0.70	±1.00	±1.30	±1.60	0.10	0.30	0.60



PCB LAYOUT



REVISION RECORD				
REV.	DESCRIPTION	ECN No.	APPROVED	DATE
A	新发行		CLF	21.03.16

UL/CUL 技术参数 UL/CUL Technical Data			
等级 Use Group	B	C	D
额定电压 Rated Voltage [V]	600	-	300
额定电流 Rated Current [A]	30	-	10
接线范围 Wire Range	22-10		
单/多芯线 Solid/Stranded [AWG]	22-10		
耐电压 Withstanding Voltage	2200V/1Min		
IEC 技术参数 IEC Technical Data			
过电压类别 Overvoltage Category	III	III	II
污染等级 Contamination Class	3	2	2
额定电压 Rated Voltage [V]	630	1000	1000
额定电流 Rated Current [A]	41	41	41
额定冲击电压 Impulse withstand voltage <sup>a</sup> [KV]	8.0	8.0	6.0
导线截面积 Conductor cross section 硬质/柔性导线 Solid/flexible [mm <sup>2</sup> ]	6.0		
材料 Material			
绝缘材料 Insulation Material	PA66		
阻燃等级 Inflammability	UL94V-0		
导体材料 Contactor Material	铜合金 Copper alloy		
导体表面镀层 Contactive Coating	镀锡 Tin Plated		
一般参数 Other Data			
间距 Pitch [mm]	9.52		
极数 Poles [P]	2-24		
剥线长度 Stripping Length [mm]	8-9		
螺丝 Screw/扭丝 Torque(Max) [N.m]	M3.0/0.5		
工作温度 Operating temperatur [°C]	-40~+105		
引针尺寸 Pin Dimensions [mm]	5.2		
PCB板孔径 PCB Hole Diameter [mm]	1.4		

DES.	LQQ	DATE	21.03.16	单位 / UNITS	mm	尺寸 / SIZE	A4	比例 / SCALE	1:1
CHK.	SY	DATE	21.03.16						
APP.	CLF	DATE	21.03.16						



慈溪市科发电子有限公司  
CIXI KEFA ELECTRONIC CO., LTD

第三视角 / THIRD ANGLE PROJECTION		版本 / REV	A
名称 / TITLE	KF950TB-9.52		

单击下面可查看定价，库存，交付和生命周期等信息

[>>KEFA\(科发\)](#)