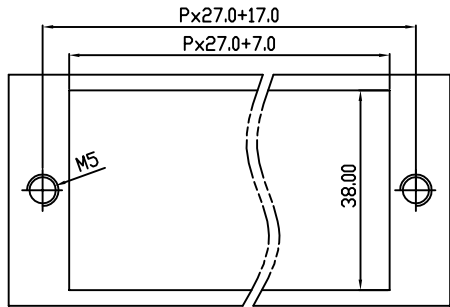
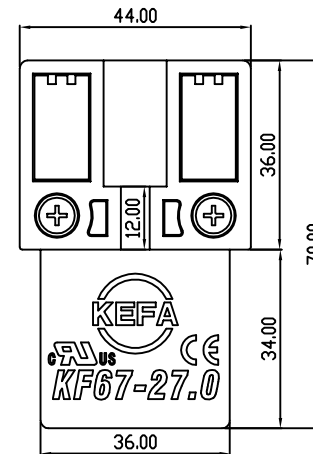
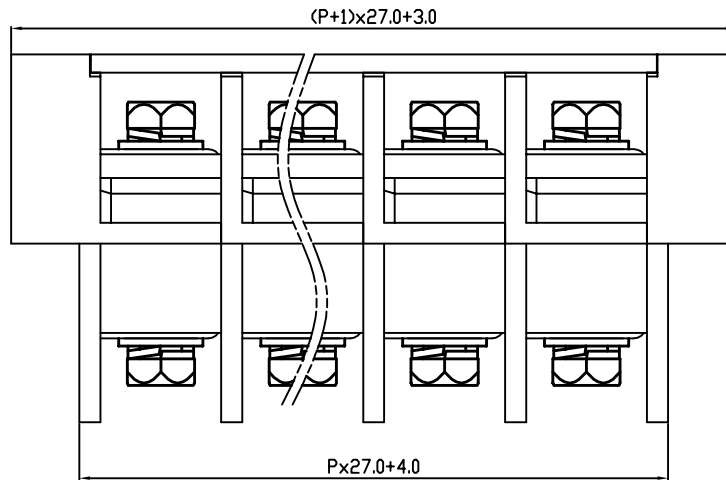
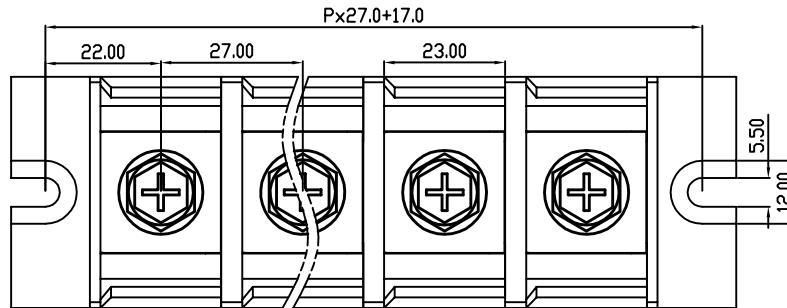


linear dimension(Tolerances Standard GB/T 14486-2008)								— ▯ ⊥		
variable range	to 6	over 6 to 10	over 10 to 30	over 30 to 60	over 60 to 100	over 100 to 160	over 160 to	to 10	over 10 to 100	over 100 to
tolerance	±0.20	±0.30	±0.50	±0.70	±1.00	±1.30	±1.60	0.10	0.30	0.60



PCB LAYOUT



REVISION RECORD				
REV.	DESCRIPTION	ECN No.	APPROVED	DATE
A	新发行		CLF	21.12.15

UL/CUL 技术参数		UL/CUL Technical Data			cRUus		
等级	Use Group	B	C	D			
额定电压	Rated Voltage [V]	600	-	-			
额定电流	Rated Current [A]	170	-	-			
接线范围	Wire Range	10-2/0					
单/多芯线	Solid/Stranded [AWG]						
IEC 技术参数		IEC Technical Data					
额定电压	Rated Voltage [V]	1000					
额定电流	Rated Current [A]	170					
耐电压	Withstanding Voltage	3500V/1Min					
导线截面积	Conductor cross section	50.0					
硬质/柔性导线	Solid/flexible [mm <sup>2</sup> ]						
材料		Material					
绝缘材料	Insulation Material	PBT					
阻燃等级	Inflammability	UL94V-0					
导体材料	Contacting Material	铜合金 Copper alloy					
导体表面镀层	Contactive Coating	镀镍 Ni plating					
一般参数		Other Data					
间距	Pitch [mm]	27.0					
极数	Poles [P]	1-15					
剥线长度	Stripping Length [mm]	-					
螺丝	Screw/扭矩 Torque(Max) [N.m]	M8/6.0					
工作温度	Operating temperatur [°C]	-30~+120					
引针尺寸	Pin Dimensions [mm]	-					
PCB板孔径	PCB Hole Diameter [mm]	-					

DES.	LQQ	DATE	21.12.15	单位/UNITS	mm	尺寸/SIZE	A4	比例/SCALE	1:1	第三视角/THIRD ANGLE PROJECTION	版本/REV	A
CHK.	BY	DATE	21.12.15	 慈溪市科发电子有限公司 CIXI KEFA ELECTRONICS CO., LTD				名称/TITLE	 <b>KF67S-27.0</b>			
APP.	CLF	DATE	21.12.15									

单击下面可查看定价，库存，交付和生命周期等信息

[>>KEFA\(科发\)](#)