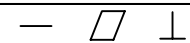
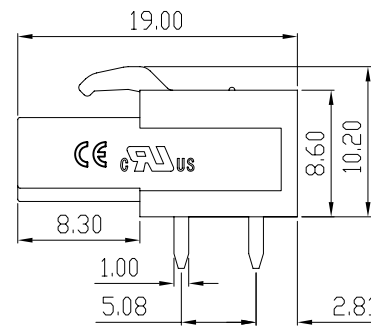
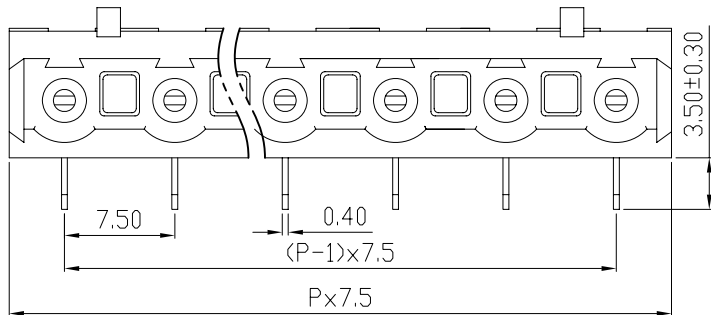
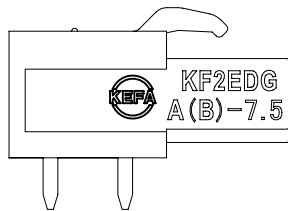
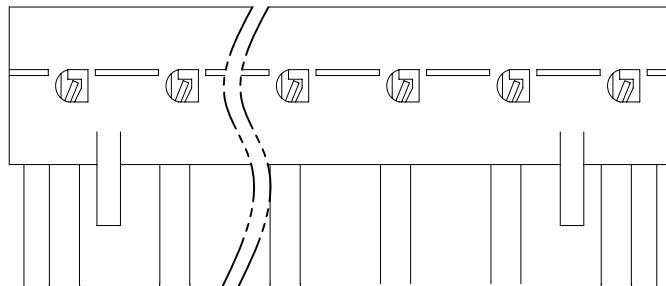
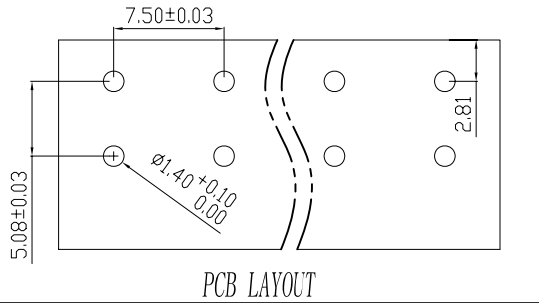


linear dimension(Tolerances Standard GB/T 14486-2008)



variable range	to	over 6 to 10	over 10 to 30	over 30 to 60	over 60 to 100	over 100 to 160	over 160 to	to	over 10 to 100	over 100 to
	6	10	30	60	100	160		10	100	
tolerance	±0.20	±0.30	±0.50	±0.70	±1.00	±1.30	±1.60	0.10	0.30	0.60



REV.	DESCRIPTION	ECN No.	APPROVED	DATE
A	新发行		CLF	21.03.13

UL/CUL 技术参数 UL/CUL Technical Data				
等级 Use Group	B	C	D	
额定电压 Rated Voltage [V]	300	-	300	
额定电流 Rated Current [A]	10	-	10	
接线范围 Wire Range				
单/多芯线 Solid/Stranded [AWG]	-			
耐电压 Withstanding Voltage	1600V/1Min			
IEC 技术参数 IEC Technical Data				
过电压类别 Overvoltage Category	III	III	II	
污染等级 Contamination Class	-	2	2	
额定电压 Rated Voltage [V]	-	630	1000	
额定电流 Rated Current [A]	-	15	15	
额定冲击电压 Impulse withstand voltagea [KV]	-	6.0	6.0	
导线截面积 Conductor cross section				
硬质/柔性导线 Solid/ flexible [mm²]	-			
材料 Material				
绝缘材料 Insulation Material	PA66			
阻燃等级 Imflammability	UL94V-0			
导体材料 Contactor Material	铜合金 Copper alloy			
导体表面镀层 Contactive Coating	镀锡 Tin Plated			
一般参数 Other Data				
间距 Pitch [mm]	7.5			
极数 Poles [P]	2-24			
剥线长度 Stripping Length [mm]	-			
螺丝 Screw/扭矩 Torque(Max) [N.m]	-			
工作温度 Operating temperatur [°C]	-40~+105			
引针尺寸 Pin Dimensions [mm]	3.5			
PCB板孔径 PCB Hole Diameter [mm]	1.4			

DES.	LQQ	DATE	21.03.13
CHK.	SY	DATE	21.03.13
APP.	CLF	DATE	21.03.13

单位 / UNITS	mm	尺寸 / SIZE	A4	比例 / SCALE	1:1
慈溪市科发电子有限公司 CIXI KEFA ELECTRONIC CO., LTD					

第三视角/THIRD ANGLE PROJECTION	版本 / REV	A
名称 / TITLE	KF2EDGA-7.5	

单击下面可查看定价，库存，交付和生命周期等信息

[>>KEFA\(科发\)](#)