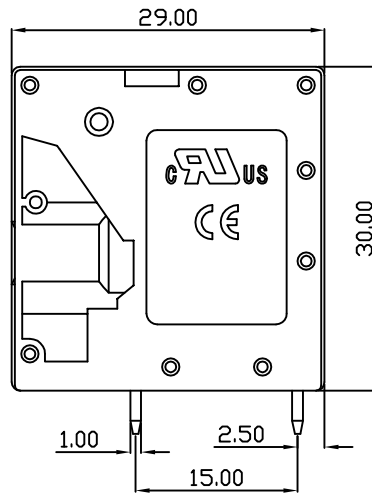
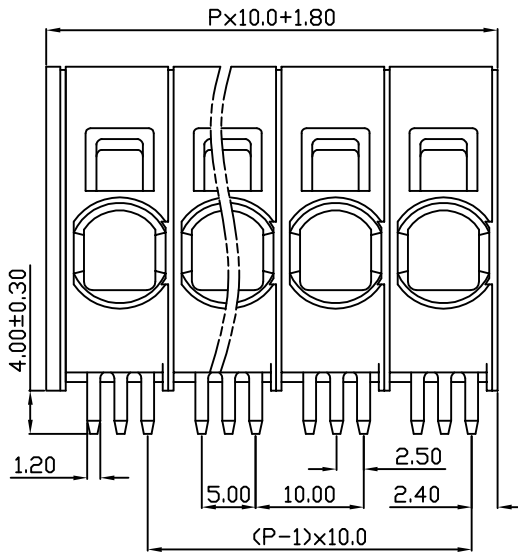
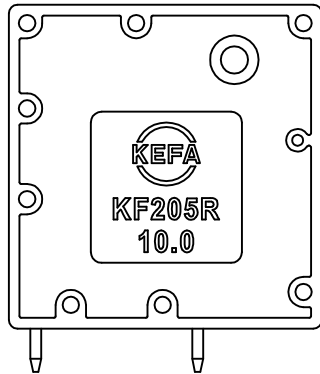
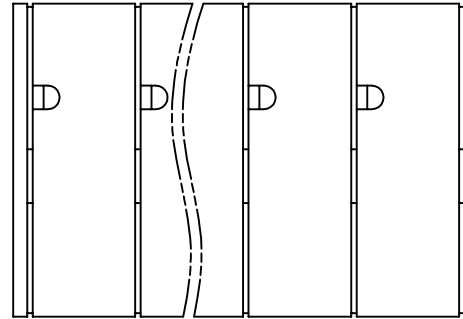
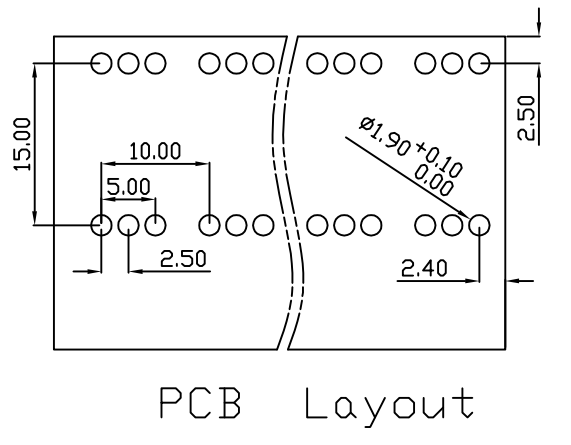


| linear dimension(Tolerances Standard GB/T 14486-2008) | | | | | | | | — | \square | \perp |
|---|------------|------------|------------|------------|------------|------------|------------|------|-----------|---------|
| variable range | to | over | over | over | over | over | over | to | over | over |
| | 6 | 6 to 10 | 10 to 30 | 30 to 60 | 60 to 100 | 100 to 160 | 160 to | | | |
| tolerance | ± 0.20 | ± 0.30 | ± 0.50 | ± 0.70 | ± 1.00 | ± 1.30 | ± 1.60 | 0.10 | 0.30 | 0.60 |



| REVISION RECORD | | | | |
|-----------------|-------------|---------|----------|----------|
| REV. | DESCRIPTION | ECN No. | APPROVED | DATE |
| A | 新发行 | | CLF | 21.10.21 |
| | | | | |
| | | | | |

| UL/CUL 技术参数 UL/CUL Technical Data | | | | |
|--------------------------------------|---|------------------|------|------|
| 等级 | Use Group | B | C | D |
| 额定电压 | Rated Voltage [V] | 300 | - | - |
| 额定电流 | Rated Current [A] | 70 | - | - |
| 接线范围 | Wire Range | 18-4 | | |
| 单/多芯线 | Solid/Stranded [AWG] | | | |
| 耐电压 | Withstanding Voltage | 1600V/1Min | | |
| IEC 技术参数 IEC Technical Data | | | | |
| 过电压类别 | Overvoltage Category | III | III | II |
| 污染等级 | Contamination Class | 3 | 2 | 2 |
| 额定电压 | Rated Voltage [V] | 1000 | 1000 | 1000 |
| 额定电流 | Rated Current [A] | 76 | 76 | 76 |
| 额定冲击电压 | Impulse withstand voltage ^a [KV] | 8 | 8 | 6 |
| 导线截面积 | Conductor cross section | 16.0 | | |
| 硬质/柔性导线 | Solid/flexible [mm ²] | | | |
| 材料 Material | | | | |
| 绝缘材料 | Insulation Material | PA66 | | |
| 阻燃等级 | Flammability | UL94V-0 | | |
| 导体材料 | Contacting Material | 铜合金 Copper alloy | | |
| 导体表面镀层 | Contactive Coating | 镀锡 Tin Plated | | |
| 一般参数 Other Data | | | | |
| 间距 | Pitch [mm] | 10.0 | | |
| 极数 | Poles [P] | 01-24 | | |
| 剥线长度 | Stripping Length [mm] | 18 | | |
| 螺丝 | Screw/扭矩 Torque(Max) [N.m] | - | | |
| 工作温度 | Operating temperatur [°C] | -40~+105 | | |
| 引针尺寸 | Pin Dimensions [mm] | 4.00 | | |
| PCB板孔径 | PCB Hole Diameter [mm] | 1.90 | | |

| | | | | | | | | | | | | |
|------|-----|------|----------|---|----|---------|----|----------|-------------|-----------------------------|--------|---|
| DES. | SJD | DATE | 21.10.21 | 单位/UNITS | mm | 尺寸/SIZE | A4 | 比例/SCALE | 1:1 | 第三视角/THIRD ANGLE PROJECTION | 版本/REV | A |
| CHK. | BY | DATE | 21.10.21 | 慈溪市科发电子有限公司 CIXI KEFA ELECTRONICS CO., LTD | | | | 名称/TITLE | KF205R-10.0 | | | |
| APP. | CLF | DATE | 21.10.21 | | | | | | | | | |

单击下面可查看定价，库存，交付和生命周期等信息

[>>KEFA\(科发\)](#)