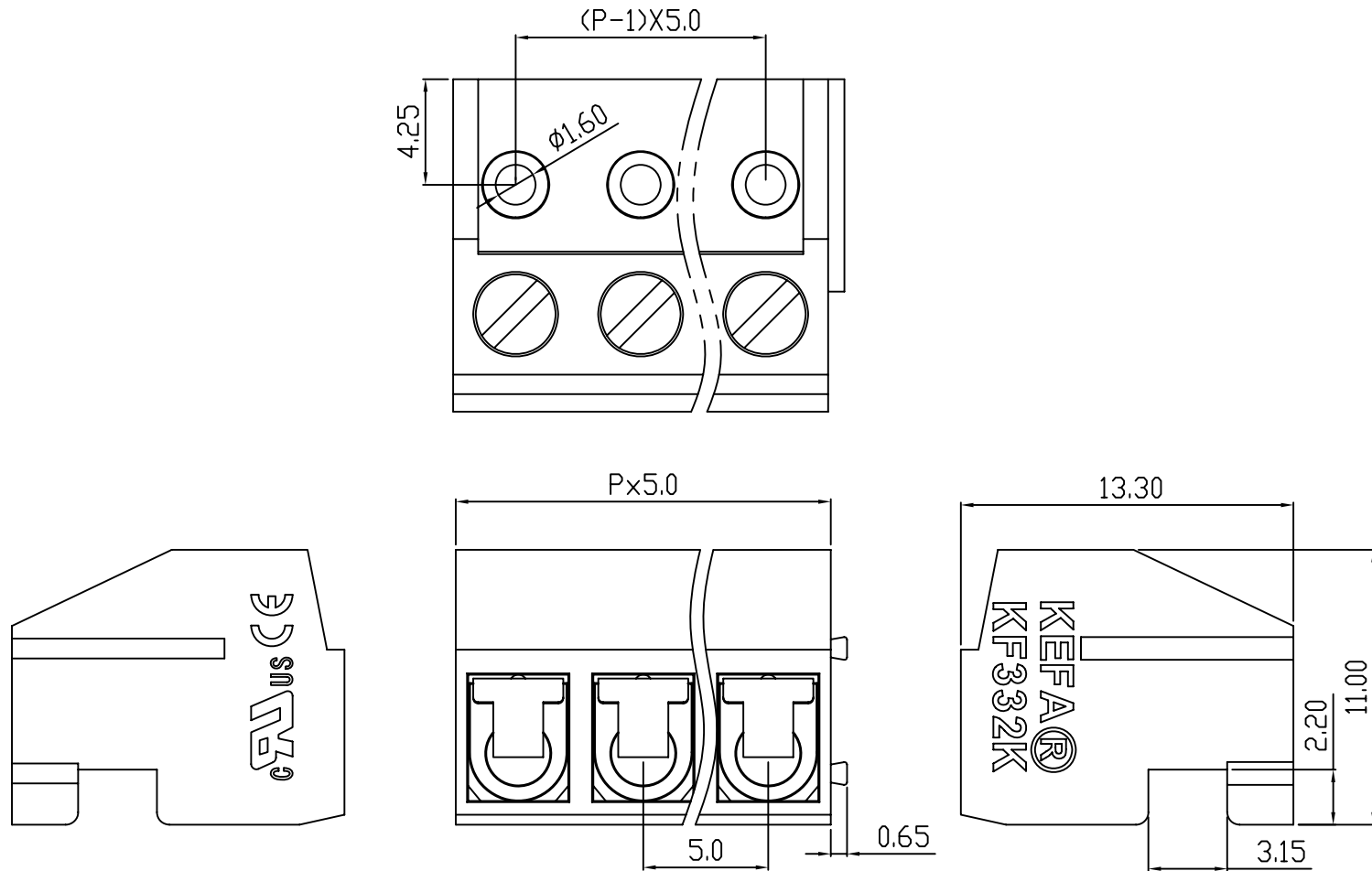


linear dimension(Tolerances Standard GB/T 14486-2008)								—	$\square$	$\perp$
variable range	to 6	over 6 to 10	over 10 to 30	over 30 to 60	over 60 to 100	over 100 to 160	over 160 to	to 10	over 10 to 100	over 100 to
tolerance	±0.20	±0.30	±0.50	±0.70	±1.00	±1.30	±1.60	0.10	0.30	0.60

REVISION RECORD				
REV.	DESCRIPTION	ECN No.	APPROVED	DATE
A	新发行		CLF	21.03.13



UL/CUL 技术参数 UL/CUL Technical Data			
等级	Use Group	B	C D
额定电压	Rated Voltage [V]	300	- 300
额定电流	Rated Current [A]	10	- 10
接线范围 单/多芯线	Wire Range Solid/Stranded [AWG]	22-14	
耐电压	Withstanding Voltage	1600V/1Min	
IEC 技术参数 IEC Technical Data			
过电压类别	Overvoltage Category	III	III II
污染等级	Contamination Class	3	2 2
额定电压	Rated Voltage [V]	250	400 630
额定电流	Rated Current [A]	17	17 17
额定冲击电压 Impulse withstand voltage	[KV]	4.0	4.0 4.0
导线截面积 硬质/柔性导线	Conductor cross section Solid/ flexible [mm <sup>2</sup> ]	1.5	
材料 Material			
绝缘材料	Insulation Material	PBT	
阻燃等级	Imflamability	UL94V-0	
导体材料	Contactior Material	铜合金 Copper alloy	
导体表面镀层	Contactive Coating	镀镍 Ni Plated	
一般参数 Other Data			
间距	Pitch [mm]	5.0	
极数	Poles [P]	2-24	
剥线长度	Stripping Length [mm]	4-5	
螺丝	Screw/扭矩 Torque(Max) [N.m]	M2.5/0.4	
工作温度	Operating temperatur [°C]	-30~+120	
引针尺寸	Pin Dimensions [mm]	-	
PCB板孔径	PCB Hole Diameter [mm]	-	

DES.	LQQ	DATE	21.03.13	单位 / UNITS	mm	尺寸 / SIZE	A4	比例 / SCALE	1:1	第三视角 / THIRD ANGLE PROJECTION	版本 / REV	A
CHK.	SY	DATE	21.03.13	 慈溪市科发电子有限公司 CIXI KEFA ELECTRONIC CO., LTD				名称 / TITLE	KF332K-5.0			
APP.	CLF	DATE	21.03.13									

单击下面可查看定价，库存，交付和生命周期等信息

[>>KEFA\(科发\)](#)