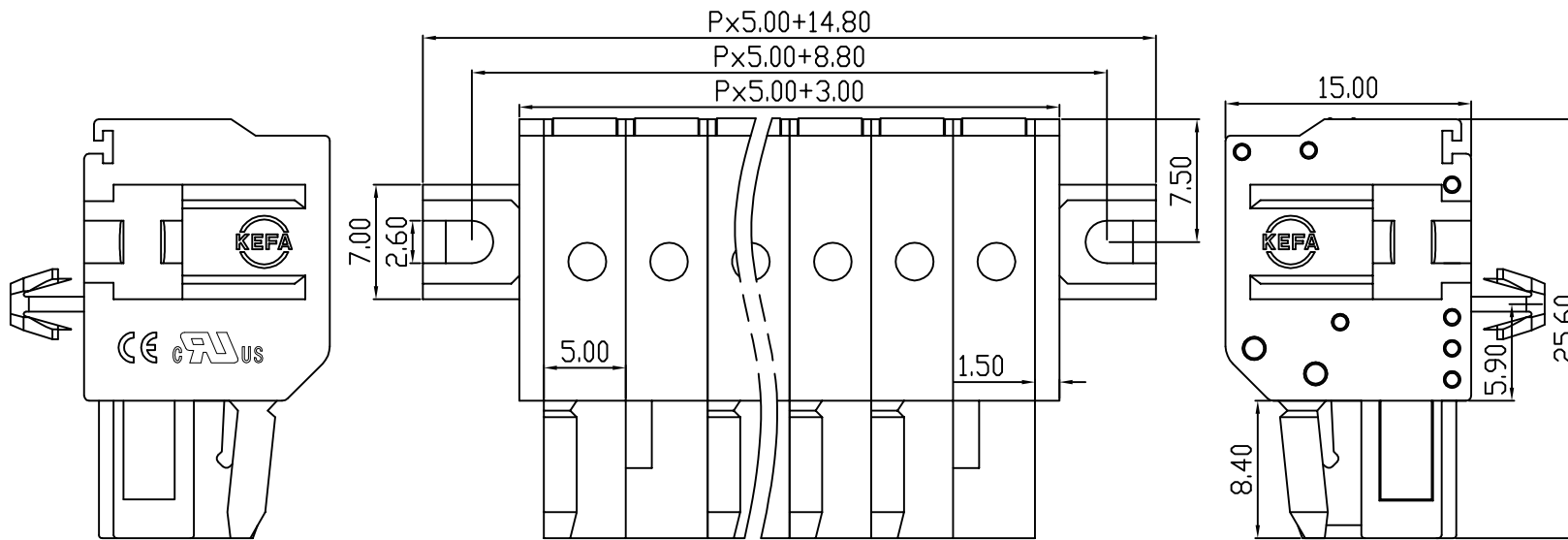
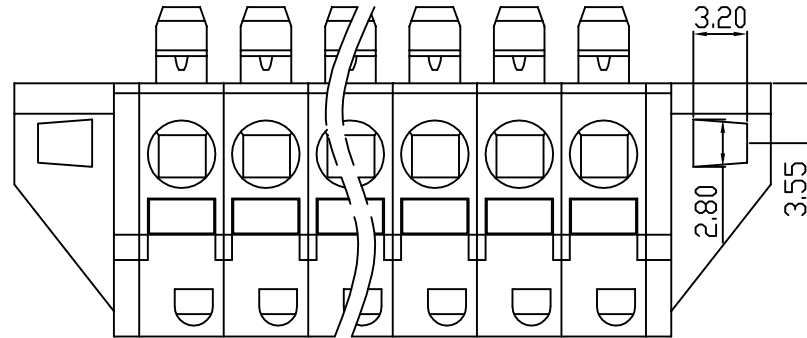


| linear dimension(Tolerances Standard GB/T 14486-2008) |       |              |               |               |                |                 |             | —     | $\nabla$       | $\perp$     |
|---|-------|--------------|---------------|---------------|----------------|-----------------|-------------|-------|----------------|-------------|
| variable range  | to 6  | over 6 to 10 | over 10 to 30 | over 30 to 60 | over 60 to 100 | over 100 to 160 | over 160 to | to 10 | over 10 to 100 | over 100 to |
| tolerance   | ±0.20 | ±0.30        | ±0.50         | ±0.70         | ±1.00          | ±1.30           | ±1.60       | 0.10  | 0.30           | 0.60        |

| REVISION RECORD |             |         |          |          |
|-----------------|-------------|---------|----------|----------|
| REV.            | DESCRIPTION | ECN No. | APPROVED | DATE     |
| A               | 新发行         |         | CLF      | 22.03.19 |
|                 |             |         |          |          |
|                 |             |         |          |          |



|                                      |   |                  |     |     |  |  |  |
|--------------------------------------|---|------------------|-----|-----|--|--|--|
| UL/CUL 技术参数<br>UL/CUL Technical Data |   |                  |     |     |  |  |  |
| 等级                                   | Use Group                                   | B                | C   | D   |  |  |  |
| 额定电压                                 | Rated Voltage [V]                           | 300              | -   | 300 |  |  |  |
| 额定电流                                 | Rated Current [A]                           | 10               | -   | 10  |  |  |  |
| 接线范围                                 | Wire Range                                  | 28-12            |     |     |  |  |  |
| 单/多芯线                                | Solid/Stranded [AWG]                        |                  |     |     |  |  |  |
| 耐电压                                  | Withstanding Voltage                        | 1600V/1Min       |     |     |  |  |  |
| IEC 技术参数<br>IEC Technical Data       |   |                  |     |     |  |  |  |
| 过电压类别                                | Overvoltage Category                        | III              | III | II  |  |  |  |
| 污染等级                                 | Contamination Class                         | 3                | 2   | 2   |  |  |  |
| 额定电压                                 | Rated Voltage [V]                           | 300              | 320 | 630 |  |  |  |
| 额定电流                                 | Rated Current [A]                           | 15               | 15  | 15  |  |  |  |
| 额定冲击电压                               | Impulse withstand voltage <sup>a</sup> [KV] | 4.0              | 4.0 | 4.0 |  |  |  |
| 导线截面积                                | Conductor cross section                     | 2.5              |     |     |  |  |  |
| 硬质/柔性导线                              | Solid/flexible [mm <sup>2</sup> ]           |                  |     |     |  |  |  |
| 材料<br>Material                       |   |                  |     |     |  |  |  |
| 绝缘材料                                 | Insulation Material                         | PA66             |     |     |  |  |  |
| 阻燃等级                                 | Imflammability                              | UL94V-0          |     |     |  |  |  |
| 导体材料                                 | Contactive Material                         | 铜合金 Copper alloy |     |     |  |  |  |
| 导体表面镀层                               | Contactive Coating                          | 镀镍 Ni Plated     |     |     |  |  |  |
| 一般参数<br>Other Data                   |   |                  |     |     |  |  |  |
| 间距                                   | Pitch [mm]                                  | 5.0              |     |     |  |  |  |
| 极数                                   | Poles [P]                                   | 2-24             |     |     |  |  |  |
| 剥线长度                                 | Stripping Length [mm]                       | 10-11            |     |     |  |  |  |
| 螺丝                                   | Screw/扭矩 Torque(Max) [N.m]                  | -                |     |     |  |  |  |
| 工作温度                                 | Operating temperatur [°C]                   | -40~+105         |     |     |  |  |  |
| 引针尺寸                                 | Pin Dimensions [mm]                         | -                |     |     |  |  |  |
| PCB板孔径                               | PCB Hole Diameter [mm]                      | -                |     |     |  |  |  |

|      |     |      |          |  |    |         |    |          |     |                                  |        |   |
|------|-----|------|----------|--|----|---------|----|----------|-----|----------------------------------|--------|---|
| DES. | LQQ | DATE | 22.03.19 | 单位/UNITS                                     | mm | 尺寸/SIZE | A4 | 比例/SCALE | 1:1 | 第三视角/THIRD ANGLE PROJECTION      | 版本/REV | A |
| CHK. | BY  | DATE | 22.03.19 | 慈溪市科发电子有限公司<br>CIXI KEFA ELECTRONIC CO., LTD |    |         |    |          |     | 名称/TITLE<br><b>KFM500CPF-5.0</b> |        |   |
| APP. | CLF | DATE | 22.03.19 |  |    |         |    |          |     |                                  |        |   |

单击下面可查看定价，库存，交付和生命周期等信息

[>>KEFA\(科发\)](#)