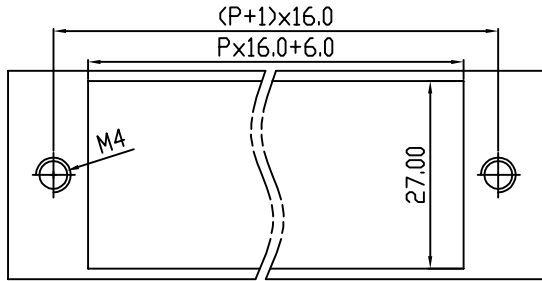
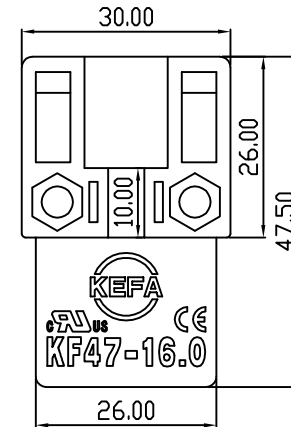
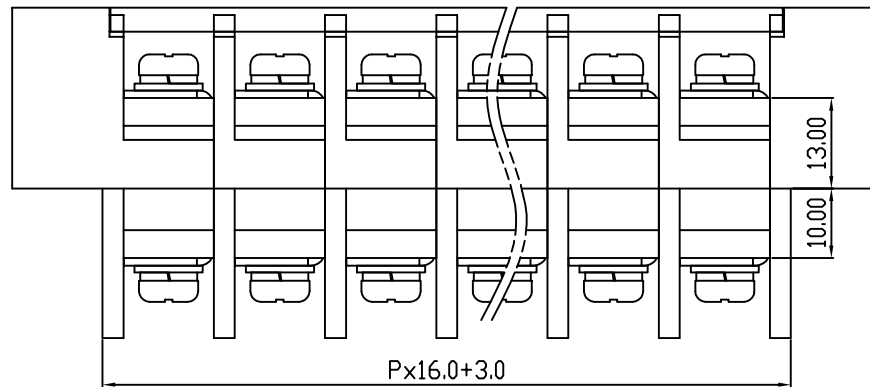
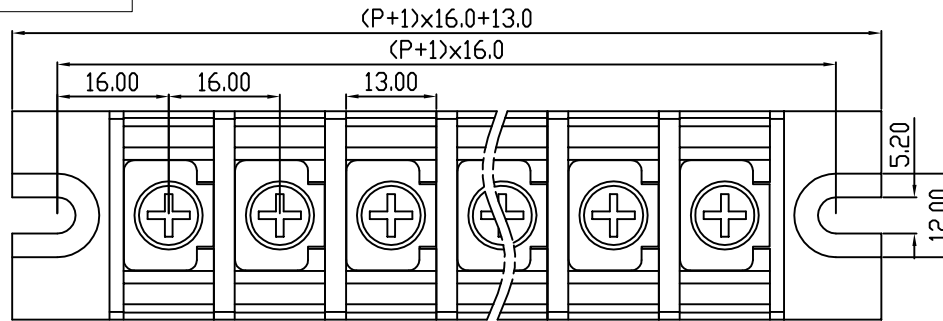


linear dimension(Tolerances Standard GB/T 14486-2008)								—		
variable range	to 6	over 6 to 10	over 10 to 30	over 30 to 60	over 60 to 100	over 100 to 160	over 160 to	to 10	over 10 to 100	over 100 to
tolerance	±0.20	±0.30	±0.50	±0.70	±1.00	±1.30	±1.60	0.10	0.30	0.60



PCB LAYOUT



REVISION RECORD				
REV.	DESCRIPTION	ECN No.	APPROVED	DATE
A	新发行		CLF	21.12.15

UL/CUL 技术参数 UL/CUL Technical Data					
等级	Use Group	B	C	D	
额定电压	Rated Voltage [V]	600	-	-	
额定电流	Rated Current [A]	65	-	-	
接线范围	Wire Range				14-6
单/多芯线	Solid/Stranded [AWG]				
IEC 技术参数 IEC Technical Data					
额定电压	Rated Voltage [V]				1000
额定电流	Rated Current [A]				76
耐电压	Withstanding Voltage				3500V/1Min
导线截面积	Conductor cross section				16.0
硬质/柔性导线	Solid/flexible [mm ²]				
材料 Material					
绝缘材料	Insulation Material				PBT
阻燃等级	Inflammability				UL94V-0
导体材料	Contacting Material				铜合金 Copper alloy
导体表面镀层	Contactive Coating				镀镍 Ni plating
一般参数 Other Data					
间距	Pitch [mm]				16.0
极数	Poles [P]				1-15
剥线长度	Stripping Length [mm]				-
螺丝	Screw/扭矩 Torque(Max) [N.m]				M5/2.5
工作温度	Operating temperatur [°C]				-30~+120
引针尺寸	Pin Dimensions [mm]				-
PCB板孔径	PCB Hole Diameter [mm]				-

DES.	LQQ	DATE	21.12.15	单位/UNITS	mm	尺寸/SIZE	A4	比例/SCALE	1:1
CHK.	BY	DATE	21.12.15						
APP.	CLF	DATE	21.12.15						



慈溪市科发电子有限公司
CIXI KEFA ELECTRONICS CO., LTD

第三视角/THIRD ANGLE PROJECTION		版本/REV	A
		名称/TITLE	KF47S-16.0

单击下面可查看定价，库存，交付和生命周期等信息

[>>KEFA\(科发\)](#)