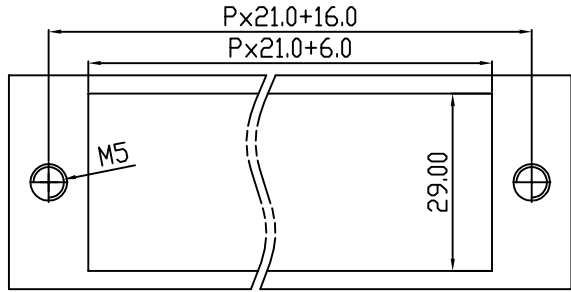
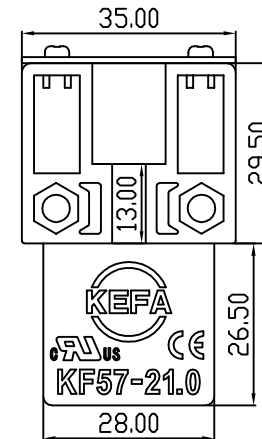
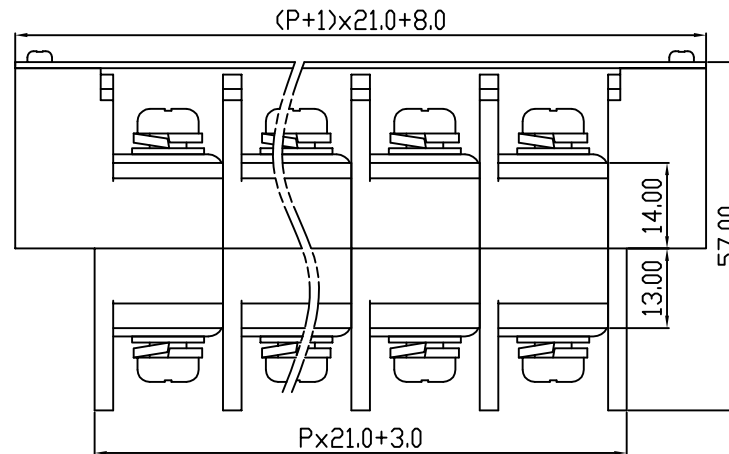
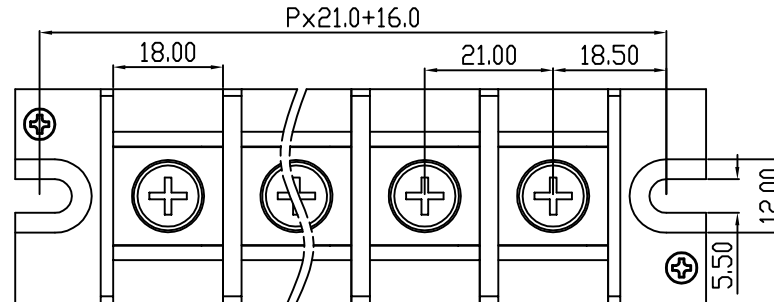


linear dimension(Tolerances Standard GB/T 14486-2008)								— ▧ ⊥		
variable range	to 6	over 6 to 10	over 10 to 30	over 30 to 60	over 60 to 100	over 100 to 160	over 160 to	to 10	over 10 to 100	over 100 to
tolerance	±0.20	±0.30	±0.50	±0.70	±1.00	±1.30	±1.60	0.10	0.30	0.60



PCB LAYOUT



REVISION RECORD				
REV.	DESCRIPTION	ECN No.	APPROVED	DATE
A	新发行		CLF	21.12.15

UL/CUL 技术参数		UL/CUL Technical Data		
等级	Use Group	B	C	D
额定电压	Rated Voltage [V]	600	-	-
额定电流	Rated Current [A]	115	-	-
接线范围	Wire Range	8-2		
单/多芯线	Solid/Stranded [AWG]			
IEC 技术参数		IEC Technical Data		
额定电压	Rated Voltage [V]	1000		
额定电流	Rated Current [A]	115		
耐电压	Withstanding Voltage	3500V/1Min		
导线截面积	Conductor cross section	35.0		
硬质/柔性导线	Solid/flexible [mm ²]			
材料		Material		
绝缘材料	Insulation Material	PBT		
阻燃等级	Inflammability	UL94V-0		
导体材料	Contacting Material	铜合金 Copper alloy		
导体表面镀层	Contactive Coating	镀镍 Ni plating		
一般参数		Other Data		
间距	Pitch [mm]	21.0		
极数	Poles [P]	1-15		
剥线长度	Stripping Length [mm]	-		
螺丝	Screw/扭矩 Torque(Max) [N.m]	M6/3.0		
工作温度	Operating temperatur [°C]	-30~+120		
引针尺寸	Pin Dimensions [mm]	-		
PCB板孔径	PCB Hole Diameter [mm]	-		

DES.	LQQ	DATE	21.12.15	单位/UNITS	mm	尺寸/SIZE	A4	比例/SCALE	1:1
CHK.	BY	DATE	21.12.15						
APP.	CLF	DATE	21.12.15						



慈溪市科发电子有限公司
CIXI KEFA ELECTRONICS CO., LTD

第三视角/THIRD ANGLE PROJECTION		版本/REV	A
名称/TITLE	KF57SS-21.0		

单击下面可查看定价，库存，交付和生命周期等信息

[>>KEFA\(科发\)](#)